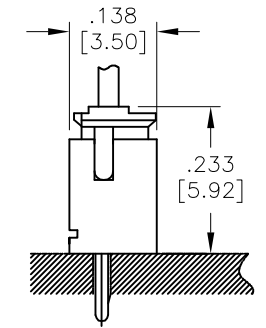
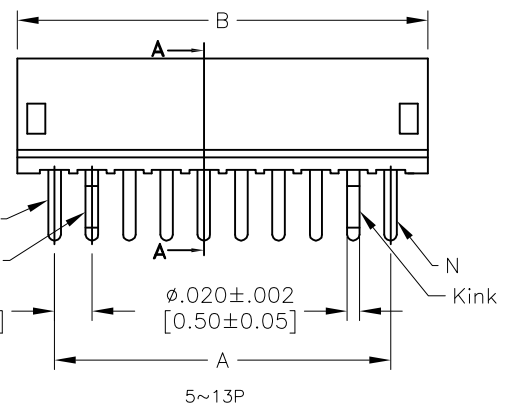
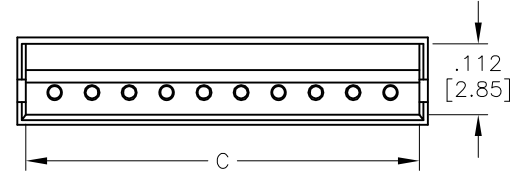
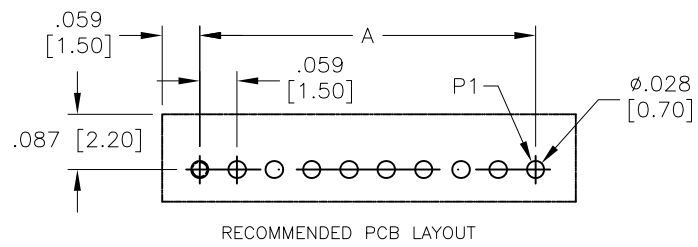
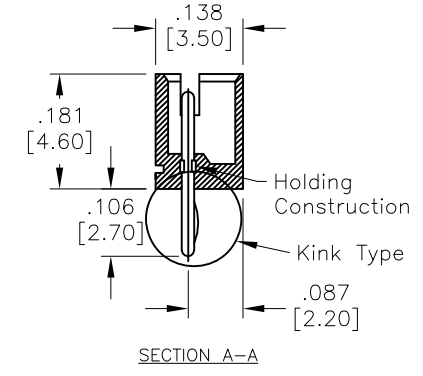


Rev	AWO #	Description	Date	Appr
-		RELEASED	8/14/09	
A		ADDED DIM.	4/6/11	
B		ADDED CONTACTS TOLERANCES	11/5/15	AY/RT
C		UPDATE DRAWING	5/16/18	AY/MY

APPROVED: _____
 DATE: _____ TITLE: _____



RECOMMENDED ASSEMBLY DIM.



Circuit	Kink					
	1	2	3	4	5	6~13
2	KinK	KinK				
3	KinK		KinK			
4	KinK			KinK		
5~13	N	KinK			KinK	N

SPECIFICATIONS:

Material:
 Insulator: Nylon 66, rated UL 94V-0
 Insulator color: Beige
 Contacts: Brass

Plating:
 Tin over Nickel underplate overall

Electrical:
 Voltage rating: 50 V AC/DC
 Current rating: 1 A AC/DC
 Contact resistance: 20 mohms max
 Insulation resistance: 500 Mohms min
 Dielectric withstanding voltage: 500 VAC for 1 minute

Temperature Rating:
 Operating temperature: -25°C to +85°C
 Environmental:
 Lead free, RoHS compliant.



Positions: 2 thru 13
 A=.059 [1.50] X No. of Spaces
 B=.059 [1.50] X No. of Positions + .059 [1.50]
 c=.059 [1.50] X No. of Positions + .024 [0.60]

UNLESS OTHERWISE SPECIFIED ALL DIMENSIONS ARE INCHES [MM] TOLERANCES: EXCEPT AS NOTED			
INCHES		HOLES	
.X	± .10	Ø.X	± .10
.XX	± .020	Ø.XX	± .015
.XXX	± .015	Ø.XXX	± .010
APPROVALS		DATE	
DRAWN	DY	8/14/09	
CHECKED			
APPROVED			

		909 Rahway Avenue, Union, NJ 07083 Phone: 908-687-5000 Fax: 908-687-5710	
TITLE			
.059 [1.50] VERTICAL HEADER			
SIZE	PART NO.	REV.	
X	15SH-A-XX-TS	C	
REF:	S00124T	SCALE:	NTS
		SHEET 1 OF 1	

6

5

4

3

2

1

D

C

B

A

6

5

4

3

2

1