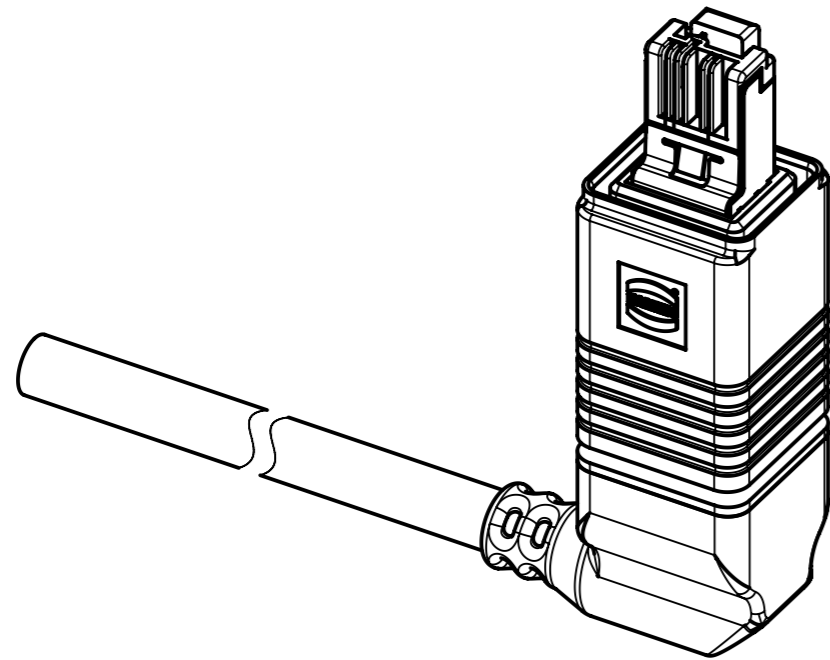


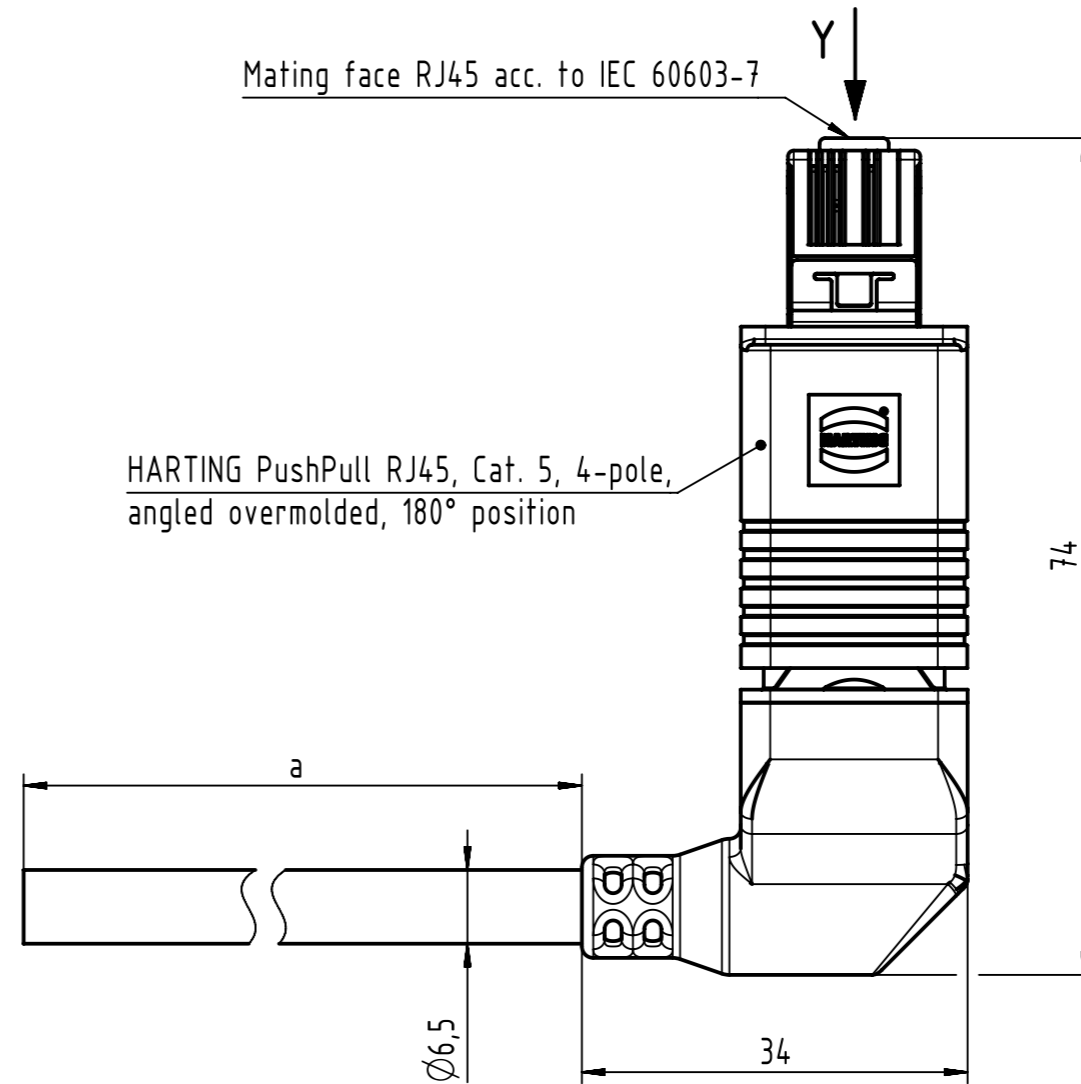
Connector Location A

Connector Location B



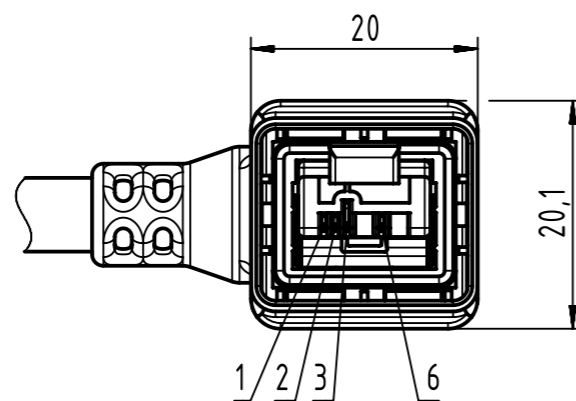
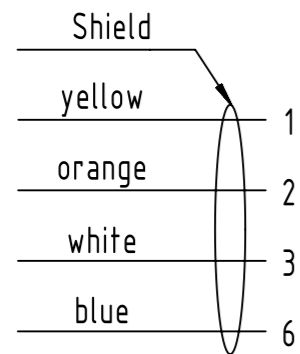
Mating face RJ45 acc. to IEC 60603-7

HARTING PushPull RJ45, Cat. 5, 4-pole, angled overmolded, 180° position



Y  
male

Loading-Plan



- Protection level: IP65/67  
- Temperature range: -40°C ... +70°C

	All rights reserved		Created by STOCHECIC Stocheci		Inspected by COSTEA Costea		Standardisation MUNTEANV Muntean		Date 2018-06-13		State Final Release	
	Department HCS - RO		Title HARTING PushPull RJ45 Cable Assembly		Type TB		Number 09474000XXX		Doc-Key / ECM-Nr. 100155524/UGD/004/D 500000136213		Rev. D Page 1/2	
All Dimensions in mm			Tech. Character.			Free size tol.			According to production drawing			
HARTING Customised Solutions D-32339 Espelkamp												

Cont. no.	Part no.	Type of cable	Dim. a[m]
44	09474000044	RJ45 Ethernet stranded cable, 4xAWG22/7, PVC, Cat. 5+, green	100
43	09474000043		90
42	09474000042		80
41	09474000041		70
40	09474000040		60
39	09474000039		50
38	09474000038		40
37	09474000037		30
36	09474000036		20
35	09474000035		15
34	09474000034		10
33	09474000033		9
32	09474000032		8
31	09474000031		7
30	09474000030		6
29	09474000029		5
28	09474000028		4
27	09474000027		3
26	09474000026		2
25	09474000025		1.5
24	09474000024		1
23	09474000023		0.5
22	09474000022		RJ45 Ethernet standard cable, AWG22/1, 2x2x0.64, PVC, Cat. 5+, green
21	09474000021	90	
20	09474000020	80	
19	09474000019	70	
18	09474000018	60	
17	09474000017	50	
16	09474000016	40	
15	09474000015	30	
14	09474000014	20	
13	09474000013	15	
12	09474000012	10	
11	09474000011	9	
10	09474000010	8	
9	09474000009	7	
8	09474000008	6	
7	09474000007	5	
6	09474000006	4	
5	09474000005	3	
4	09474000004	2	
3	09474000003	1.5	
2	09474000002	1	
1	09474000001	0.5	

Cont. no.	Part no.	Type of cable	Dim. a[m]	
88	09474000088	RJ45 Ethernet stranded cable, AWG22/7, 2x2x0.75, outdoor, PVC, Cat. 5+, black	100	
87	09474000087		90	
86	09474000086		80	
85	09474000085		70	
84	09474000084		60	
83	09474000083		50	
82	09474000082		40	
81	09474000081		30	
80	09474000080		20	
79	09474000079		15	
78	09474000078		10	
77	09474000077		9	
76	09474000076		8	
75	09474000075		7	
74	09474000074		6	
73	09474000073		5	
72	09474000072		4	
71	09474000071		3	
70	09474000070		2	
69	09474000069		1.5	
68	09474000068		1	
67	09474000067		0.5	
66	09474000066		RJ45 Ethernet trailing cable, AWG22/7, 2x2x0.75, PUR, Cat. 5+, green	100
65	09474000065			90
64	09474000064			80
63	09474000063			70
62	09474000062			60
61	09474000061			50
60	09474000060			40
59	09474000059			30
58	09474000058			20
57	09474000057			15
56	09474000056			10
55	09474000055	9		
54	09474000054	8		
53	09474000053	7		
52	09474000052	6		
51	09474000051	5		
50	09474000050	4		
49	09474000049	3		
48	09474000048	2		
47	09474000047	1.5		
46	09474000046	1		
45	09474000045	0.5		

	All rights reserved Department HCS - RO	Created by STOCHECIC Stocheci	Inspected by COSTEA Costea	Standardisation MUNTEANV Muntean	Date 2018-06-13	State Final Release	Doc-Key / ECM-Nr. 100155524/UGD/004/D 500000136213
HARTING Customised Solutions D-32339 Espelkamp		Title HARTING PushPull RJ45 Cable Assembly		Type TB	Number 09474000XXX	Rev. D	Page 2/2