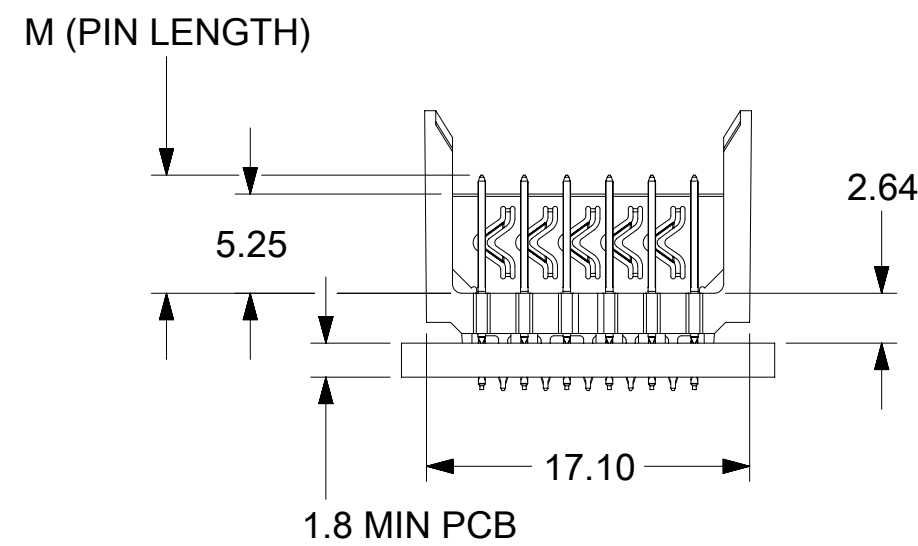
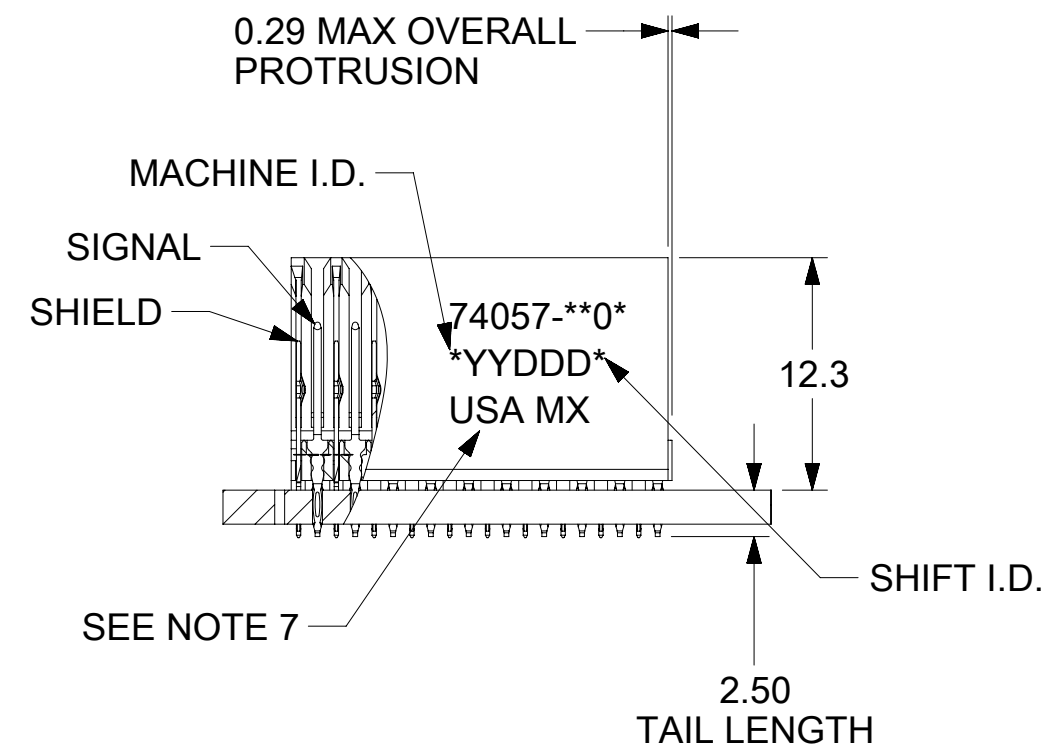
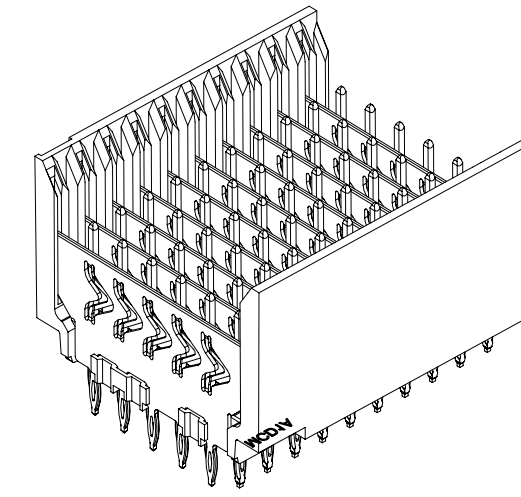


BLACK PLANE HOLE PATTERN
RECOMMENDED DIMENSIONS



NOTES:

1. MATERIALS:
HOUSING - LIQUID CRYSTAL POLYMER (LCP),
GLASS-FILLED, UL 94V-0, COLOR: BLACK
SIGNAL PIN & SHIELD - COPPER ALLOY
2. FINISHES:
CONTACT AREA: SELECTIVE GOLD (Au)
PCB TAILS: SELECTIVE MATTE TIN (Sn)
NICKEL (Ni) OVERALL.
3. THIS PART CONFORMS TO MOLEX PRODUCT SPECIFICATION PS-74031-999
4. FOR MIXED CONTACT LENGTHS CONSULT MOLEX FOR AVAILABILITY
5. FOR SPECIFIC MATERIAL NUMBERS & MATING INFORMATION REFER TO SHEET 2
6. PACKAGE PER PK-74057-003
7. EITHER MARK PART WITH PART NUMBER & DATE CODE APPROXIMATELY WHERE SHOWN OR PLACE LABEL ON THE TUBE.
8. MAPS (MOLEX ADVANCED PLATING SYSTEM)

PENDING APPROVAL

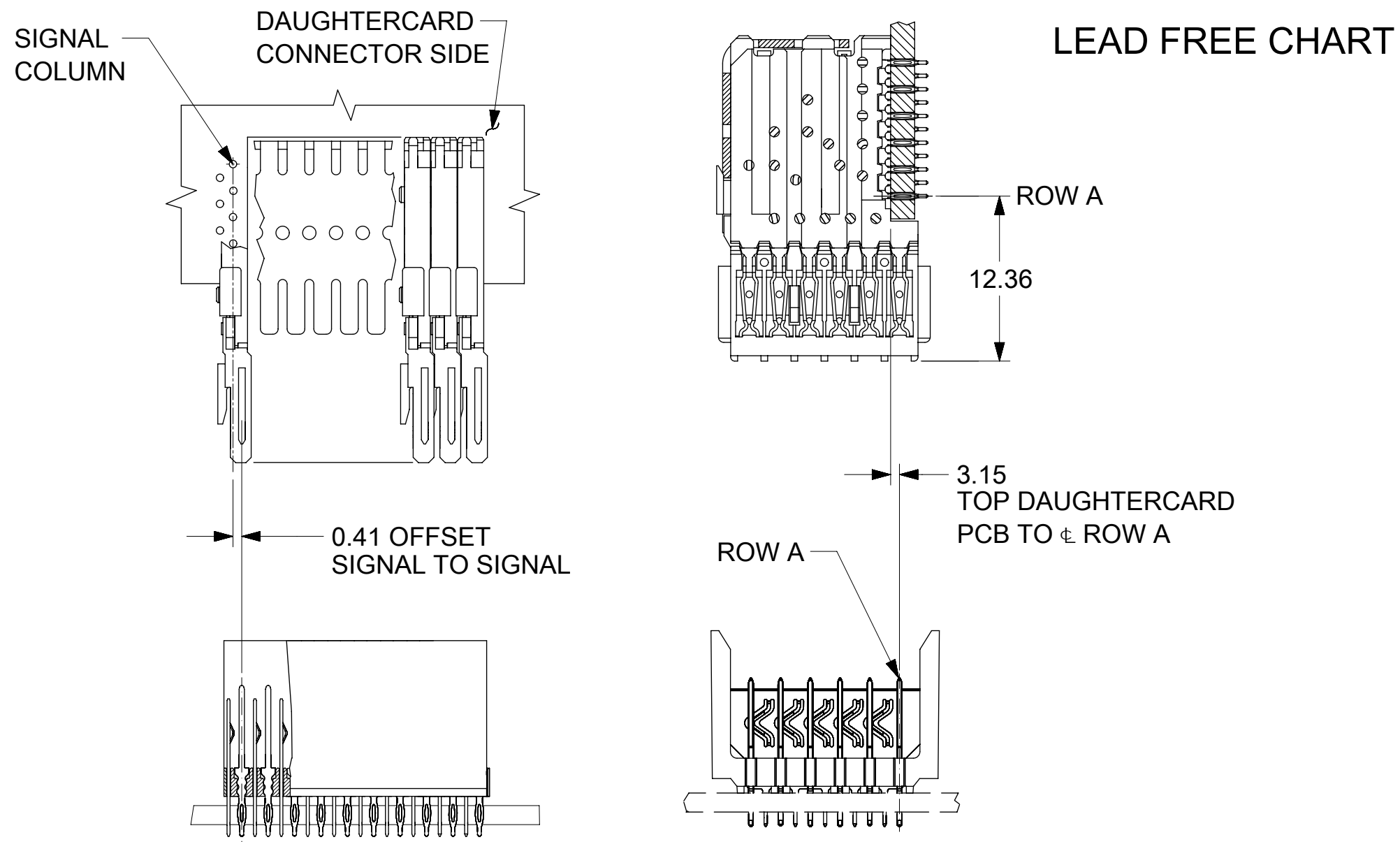
THIS DRAWING CONTAINS INFORMATION THAT IS PROPRIETARY TO MOLEX ELECTRONIC TECHNOLOGIES, LLC AND SHOULD NOT BE USED WITHOUT WRITTEN PERMISSION											
DIMENSION UNITS		SCALE		CURRENT REV DESC: SEE REVISION HISTORY ON SHEET 3						molex	
mm		2.5:1									
GENERAL TOLERANCES (UNLESS SPECIFIED)				EC NO: 719836		2022/07/14		VHDM 6 ROW OPEN END BACKPLANE SALES ASSEMBLY			
4 PLACES		±		DRWN: KRISHH1							
3 PLACES		±		CHK'D:				PRODUCT CUSTOMER DRAWING			
2 PLACES		± 0.25		APPR:							
1 PLACE		± 0.38		INITIAL REVISION:				DOCUMENT NUMBER		DOC TYPE DOC PART REVISION	
0 PLACES		±		DRWN: MWANG		1998/11/09		SD-74057-002		PSD 001 N4	
ANGULAR TOL		± 0.5 °		APPR: SMILLER		2012/05/23		MATERIAL NUMBER		CUSTOMER	
DRAFT WHERE APPLICABLE MUST REMAIN WITHIN DIMENSIONS		THIRD ANGLE PROJECTION		DRAWING		SERIES		SEE TABLE		GENERAL MARKET	
		C-SIZE		74057						SHEET NUMBER 1 OF 3	

DOCUMENT STATUS	RQ	RELEASE DATE									
12	11	10	9	8	7	6	5	4	3	2	1

PART NUMBER	COLUMN	NUMBER OF SIGNAL PIN	NUMBER OF SHIELD	A	B	M	GOLD THICKNESS MICROMETER	TIN THICKNESS MICROMETER			
74057-6001	10	60	10	20.00	18.00	4.75	0.25 MAPS	0.76-1.52			
74057-9001							0.76				
74057-9006							1.27				
74057-6501	15	90	15	30.00	28.00	0.25 MAPS					
74057-9501						0.76					
74057-9506						1.27					
74057-7001	25	150	25	50.00	48.00	0.25 MAPS					
74057-8506						1.27					
74057-6002						0.25 MAPS					
74057-9002	10	60	10	20.00	18.00	0.76					
74057-9007						1.27					
74057-6502						0.25 MAPS					
74057-9502	15	90	15	30.00	28.00	0.76					
74057-9507						1.27					
74057-7002						0.25 MAPS					
74057-8502	25	150	25	50.00	48.00	0.76					
74057-8507						1.27					
74057-6003						0.25 MAPS					
74057-9003	10	60	10	50.00	48.00	0.76					
74057-9008						1.27					
74057-6503						0.25 MAPS					
74057-9503	15	90	15	30.00	28.00	0.76					
74057-9508						1.27					
74057-7003						0.25 MAPS					
74057-8508	25	150	25	50.00	48.00	1.27					
74057-9009						10	60	10	20.00	18.00	1.27
74057-6504						0.25 MAPS					
74057-9504	15	90	15	30.00	28.00	0.76					
74057-9509						1.27					
74057-8504						0.76					
74057-8509	25	150	25	50.00	48.00	1.27					

PART NUMBER	COLUMN	NUMBER OF SIGNAL PIN	NUMBER OF SHIELD	A	B	M	GOLD THICKNESS MICROMETER	TIN THICKNESS MICROMETER
74057-1006	10	60	10	20.00	18.00	4.75	1.27	0.76-1.52
74057-1501	15	90	15	30.00	28.00		0.76	
74057-1506							1.27	
74057-2506	25	150	25	50.00	48.00	1.27		
74057-1002	10	60	10	20.00	18.00	6.25	0.76	
74057-1502	15	90	15	30.00	28.00		0.76	
74057-1507						1.27		
74057-1008	10	60	10	20.00	18.00	4.25	1.27	
74057-1503	15	90	15	30.00	28.00		0.76	
74057-1508							1.27	
74057-2508	25	150	25	50.00	48.00	1.27		
74057-1004	10	60	10	20.00	18.00	5.15	0.76	
74057-1009							1.27	
74057-1504	15	90	15	30.00	28.00		0.76	
74057-1509						1.27		

LEAD FREE
(FORMERLY TIN/LEAD) CHART



74057 - * * 0 *

- NUMBER OF COLUMNS/PLATING
- 10 = 10 COLUMN MATTE TIN (FORMERLY TIN/LEAD)
 - 15 = 15 COLUMN MATTE TIN (FORMERLY TIN/LEAD)
 - 25 = 25 COLUMN MATTE TIN (FORMERLY TIN/LEAD)
 - 60 = 10 COLUMN MATTE TIN (MAPS)
 - 65 = 15 COLUMN MATTE TIN (MAPS)
 - 70 = 25 COLUMN MATTE TIN (MAPS)
 - 90 = 10 COLUMN MATTE TIN
 - 95 = 15 COLUMN MATTE TIN
 - 85 = 25 COLUMN MATTE TIN
- PIN HEIGHT
- 1 & 6 = 4.75
 - 2 & 7 = 6.25
 - 3 & 8 = 4.25
 - 4 & 9 = 5.15

PENDING APPROVAL

FUNCTIONAL SYMBOLS	THIS DRAWING CONTAINS INFORMATION THAT IS PROPRIETARY TO MOLEX ELECTRONIC TECHNOLOGIES, LLC AND SHOULD NOT BE USED WITHOUT WRITTEN PERMISSION			
	DIMENSION UNITS	SCALE		CURRENT REV DESC: SEE REVISION HISTORY ON SHEET 3
$F_A = 0$	mm	2.5:1		EC NO: 719836 DRWN: KRISHH1 CHK'D: APPR:
$F_C = 0$	GENERAL TOLERANCES (UNLESS SPECIFIED)			
$F_P = 0$		MM	INCH	2022/07/14
DIVISIONAL SYMBOLS	4 PLACES	±	±	INITIAL REVISION: DRWN: MWANG APPR: SMILLER
	3 PLACES	±	±	
	2 PLACES	± 0.25	±	
	1 PLACE	± 0.38	±	
	0 PLACES	±	±	1998/11/09 2012/05/23
	ANGULAR TOL	± 0.5°		
DRAFT WHERE APPLICABLE MUST REMAIN WITHIN DIMENSIONS		THIRD ANGLE PROJECTION		DRAWING SERIES
		C-SIZE		74057
DOCUMENT STATUS	RQ	RELEASE DATE		SD-74057-002
				PSD 001 N4
				SEE TABLE GENERAL MARKET
				2 OF 3

H
G
F
E
D
C
B
A

DATE	REV	DESCRIPTION
2022/06/22	N3	DRAWING MIGRATED TO NEW SHEET FORMAT REMOVED OBSOLETE PART NUMBER AS PER PCN#509989
2022/07/14	N4	DRAWING MIGRATION AS MODEL IN THE DRAWING VIEW IS UPDATED

PENDING APPROVAL

FUNCTIONAL SYMBOLS = 0 = 0 = 0 DIVISIONAL SYMBOLS	THIS DRAWING CONTAINS INFORMATION THAT IS PROPRIETARY TO MOLEX ELECTRONIC TECHNOLOGIES, LLC AND SHOULD NOT BE USED WITHOUT WRITTEN PERMISSION																
	DIMENSION UNITS		SCALE		CURRENT REV DESC: SEE REVISION HISTORY ON SHEET 3												
	mm		1:1		EC NO: 719836 DRWN: KRISHH1 CHK'D: APPR: 2022/07/14												
	GENERAL TOLERANCES (UNLESS SPECIFIED)																
			MM								INCH		INITIAL REVISION: DRWN: DRAWN BY APPR: APPR BY 0099/99/99 0099/99/99				
	4 PLACES		±								±						
	3 PLACES		±		±												
	2 PLACES		± 0.25		±												
	1 PLACE		± 0.38		±												
	0 PLACES		±		±		DOCUMENT NUMBER SD-74057-002		DOC TYPE PSD		DOC PART 001		REVISION N4				
ANGULAR TOL		± 0.5 °				THIRD ANGLE PROJECTION 		DRAWING C-SIZE		SERIES 74057		MATERIAL NUMBER SEE TABLE		CUSTOMER GENERAL MARKET		SHEET NUMBER 3 OF 3	
DRAFT WHERE APPLICABLE MUST REMAIN WITHIN DIMENSIONS																	