

# SN74LVC244 OCTAL BUFFER/DRIVER WITH 3-STATE OUTPUTS

SCAS414 – NOVEMBER 1992 – REVISED MARCH 1994

- **EPIC™** (Enhanced-Performance Implanted CMOS) Submicron Process
- **Typical  $V_{OLP}$  (Output Ground Bounce)**  
< 0.8 V at  $V_{CC} = 3.3$  V,  $T_A = 25^\circ\text{C}$
- **Typical  $V_{OHV}$  (Output  $V_{OH}$  Undershoot)**  
> 2 V at  $V_{CC} = 3.3$  V,  $T_A = 25^\circ\text{C}$
- **Package Options Include Plastic Small-Outline (DW), Shrink Small-Outline (DB), and Thin Shrink Small-Outline (PW) Packages**

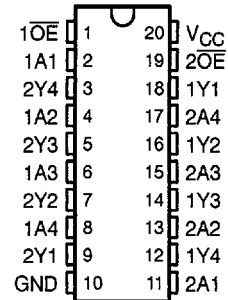
## description

This octal buffer/line driver is designed for 2.7-V to 3.6-V  $V_{CC}$  operation.

The SN74LVC244 is organized as two 4-bit line drivers with separate output-enable ( $\overline{OE}$ ) inputs. When  $\overline{OE}$  is low, the device passes data from the A inputs to the Y outputs. When  $\overline{OE}$  is high, the outputs are in the high-impedance state.

The SN74LVC244 is characterized for operation from  $-40^\circ\text{C}$  to  $85^\circ\text{C}$ .

## DB, DW, OR PW PACKAGE (TOP VIEW)



FUNCTION TABLE  
(each buffer)

INPUTS		OUTPUT
$\overline{OE}$	A	Y
L	H	H
L	L	L
H	X	Z

PRODUCT PREVIEW

EPIC is a trademark of Texas Instruments Incorporated.

PRODUCT PREVIEW information concerns products in the formative or design phase of development. Characteristic data and other specifications are design goals. Texas Instruments reserves the right to change or discontinue these products without notice.



Copyright © 1994, Texas Instruments Incorporated

8961723 0100487 T79

POST OFFICE BOX 655303 • DALLAS, TEXAS 75265

7-69

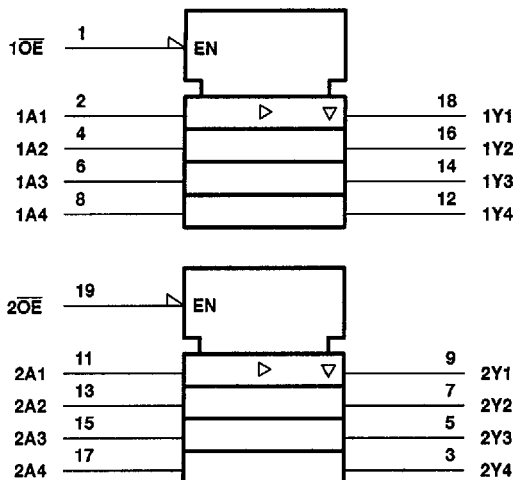
# SN74LVC244

## OCTAL BUFFER/DRIVER

### WITH 3-STATE OUTPUTS

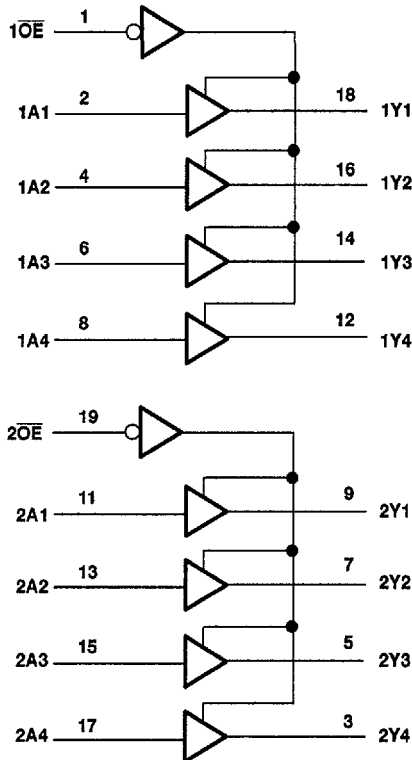
SCAS414 – NOVEMBER 1992 – REVISED MARCH 1994

#### logic symbol†



† This symbol is in accordance with ANSI/IEEE Std 91-1984 and IEC Publication 617-12.

#### logic diagram (positive logic)



PRODUCT PREVIEW

#### absolute maximum ratings over operating free-air temperature range (unless otherwise noted)‡

Supply voltage range, $V_{CC}$	–0.5 V to 4.6 V
Input voltage range, $V_I$	–0.5 V to 4.6 V
Output voltage range, $V_O$ (see Note 1)	–0.5 V to $V_{CC} + 0.5$ V
Input clamp current, $I_{IK}$ ( $V_I < 0$ )	–50 mA
Output clamp current, $I_{OK}$ ( $V_O < 0$ or $V_O > V_{CC}$ )	±50 mA
Continuous output current, $I_O$ ( $V_O = 0$ to $V_{CC}$ )	±50 mA
Continuous current through $V_{CC}$ or GND pins	±100 mA
Maximum power dissipation at $T_A = 55^\circ\text{C}$ (in still air):	
DB package	0.6 W
DW package	1.6 W
PW package	0.7 W
Storage temperature range	–65°C to 150°C

‡ Stresses beyond those listed under “absolute maximum ratings” may cause permanent damage to the device. These are stress ratings only, and functional operation of the device at these or any other conditions beyond those indicated under “recommended operating conditions” is not implied. Exposure to absolute-maximum-rated conditions for extended periods may affect device reliability.

NOTE 1: This value is limited to 4.6 V maximum.

8961723 0100488 905



POST OFFICE BOX 655303 • DALLAS, TEXAS 75265

# SN74LVC244 OCTAL BUFFER/DRIVER WITH 3-STATE OUTPUTS

SCAS414 – NOVEMBER 1992 – REVISED MARCH 1994

## recommended operating conditions (see Note 2)

		MIN	MAX	UNIT
V <sub>CC</sub>	Supply voltage	2.7	3.6	V
V <sub>IH</sub>	High-level input voltage	V <sub>CC</sub> = 2.7 V to 3.6 V		V
V <sub>IL</sub>	Low-level input voltage	V <sub>CC</sub> = 2.7 V to 3.6 V		V
V <sub>I</sub>	Input voltage	0	V <sub>CC</sub>	V
V <sub>O</sub>	Output voltage	0	V <sub>CC</sub>	V
I <sub>OH</sub>	High-level output current	V <sub>CC</sub> = 2.7 V		mA
		V <sub>CC</sub> = 3 V		
I <sub>OL</sub>	Low-level output current	V <sub>CC</sub> = 2.7 V		mA
		V <sub>CC</sub> = 3 V		
Δt/Δv	Input transition rise or fall rate	0	10	ns/V
T <sub>A</sub>	Operating free-air temperature	-40	85	°C

NOTE 2: Unused or floating inputs must be held high or low.

## electrical characteristics over recommended operating free-air temperature range (unless otherwise noted)

PARAMETER	TEST CONDITIONS	V <sub>CC</sub> <sup>†</sup>	T <sub>A</sub> = -40°C to 85°C			UNIT
			MIN	TYP	MAX	
V <sub>OH</sub>	I <sub>OH</sub> = -100 μA	MIN to MAX	V <sub>CC</sub> - 0.2			V
	I <sub>OH</sub> = -12 mA	2.7 V	2.2			
	I <sub>OH</sub> = -24 mA	3 V	2.4			
V <sub>OL</sub>	I <sub>OL</sub> = 100 μA	MIN to MAX	0.2			V
	I <sub>OL</sub> = 12 mA	2.7 V	0.4			
	I <sub>OL</sub> = 24 mA	3 V	0.55			
I <sub>I</sub>	V <sub>I</sub> = V <sub>CC</sub> or GND	3.6 V	±5			μA
I <sub>OZ</sub>	V <sub>O</sub> = V <sub>CC</sub> or GND	3.6 V	±10			μA
I <sub>CC</sub>	V <sub>I</sub> = V <sub>CC</sub> or GND, I <sub>O</sub> = 0	3.6 V	20			μA
ΔI <sub>CC</sub>	V <sub>CC</sub> = 3 V to 3.6 V, One input at V <sub>CC</sub> - 0.6 V, Other inputs at V <sub>CC</sub> or GND		500			μA
C <sub>i</sub>	V <sub>I</sub> = V <sub>CC</sub> or GND	3.3 V	3			pF
C <sub>o</sub>	V <sub>O</sub> = V <sub>CC</sub> or GND	3.3 V	3.5			pF

<sup>†</sup> For conditions shown as MIN or MAX, use the appropriate values under recommended operating conditions.

## switching characteristics over recommended operating free-air temperature range, C<sub>L</sub> = 50 pF (unless otherwise noted) (see Note 3)

PARAMETER	FROM (INPUT)	TO (OUTPUT)	V <sub>CC</sub> = 3.3 V ± 0.3 V		V <sub>CC</sub> = 2.7 V		UNIT
			MIN	MAX	MIN	MAX	
t <sub>pd</sub>	A	Y	1.5	7	8		ns
t <sub>en</sub>	$\overline{OE}$	Y	1.5	8	9.2		ns
t <sub>dis</sub>	$\overline{OE}$	Y	1.5	7.5	8.5		ns

NOTE 3: Load circuit and voltage waveforms are shown in Section 1.

**PRODUCT PREVIEW**

8961723 0100489 841



POST OFFICE BOX 655303 • DALLAS, TEXAS 75265

**SN74LVC244**  
**OCTAL BUFFER/DRIVER**  
**WITH 3-STATE OUTPUTS**

SCAS414 - NOVEMBER 1992 - REVISED MARCH 1994

**operating characteristics,  $V_{CC} = 3.3\text{ V}$ ,  $T_A = 25^\circ\text{C}$**

PARAMETER		TEST CONDITIONS	TYP	UNIT
C <sub>pd</sub>	Power dissipation capacitance per buffer/driver	C <sub>L</sub> = 50 pF, f = 10 MHz	20	pF
			2	

PRODUCT PREVIEW

8961723 0100490 563



POST OFFICE BOX 655303 • DALLAS, TEXAS 75265