

# Customer Information Sheet

DRAWING No.: M80-5L1XXXXMD

SHT 2 OF 2

IF IN DOUBT - ASK

(C)

NOT TO SCALE

THIRD ANGLE PROJECTION

ALL DIMENSIONS IN mm

**SPECIFICATIONS:**

**MATERIAL:**  
 MOULDING = GLASS-FILLED PPS,  
 UL94V-0, BLACK  
 CONTACT = PHOSPHOR BRONZE  
 IOILOK RETAINER = STAINLESS STEEL

**FINISH (CONTACTS):**  
 05 = 0.75µ GOLD ALL OVER  
 22 = 0.75µ GOLD ON CONTACT AREA,  
 3µ TIN/LEAD ON TAILS  
 42 = 0.75µ GOLD ON CONTACT AREA,  
 3µ 100% TIN OVER NICKEL ON TAILS

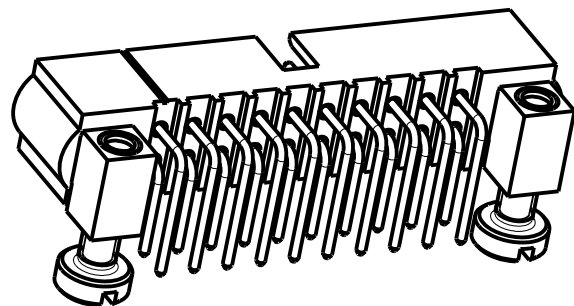
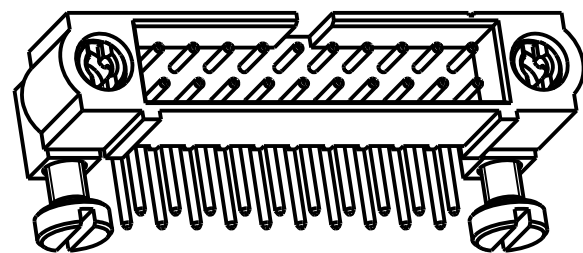
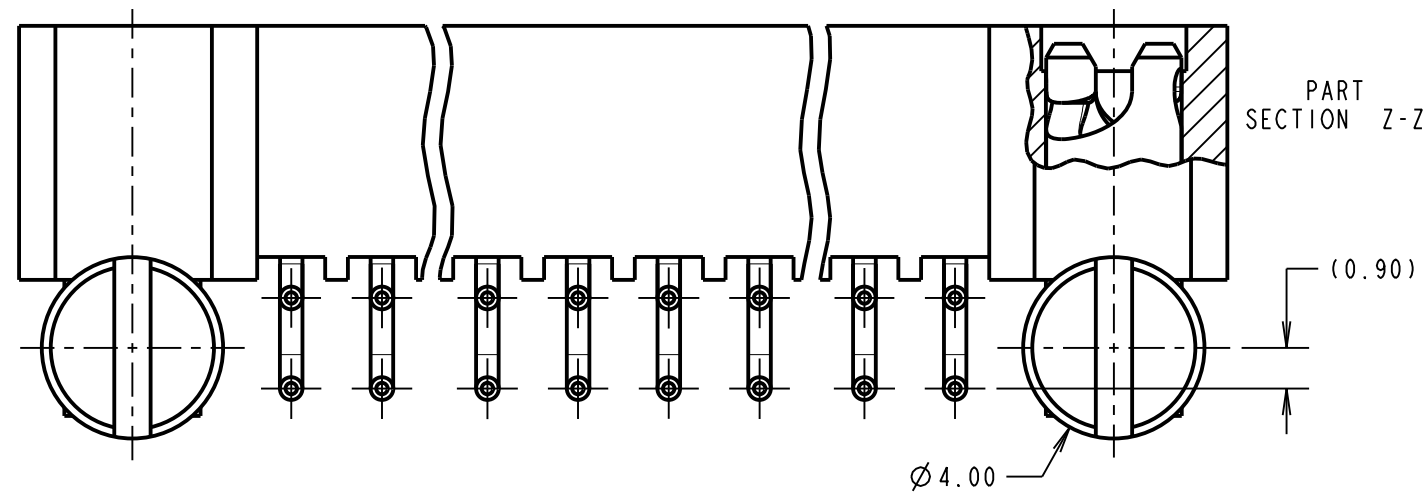
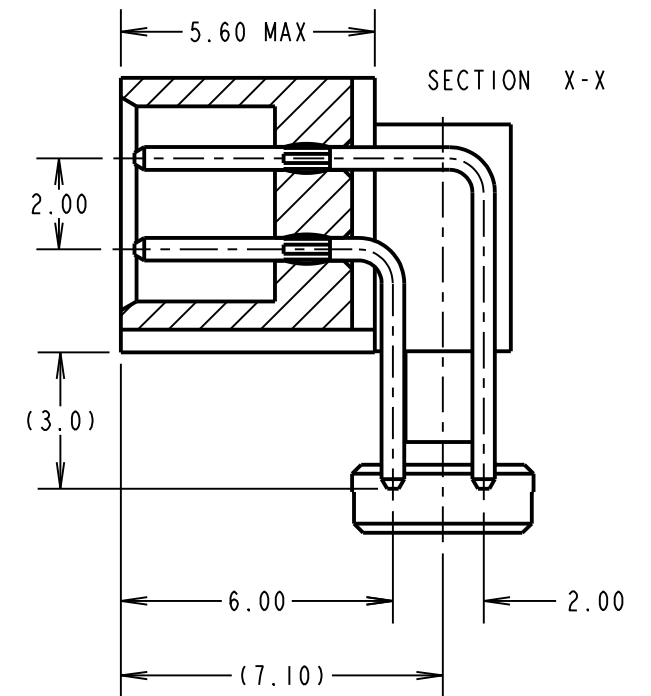
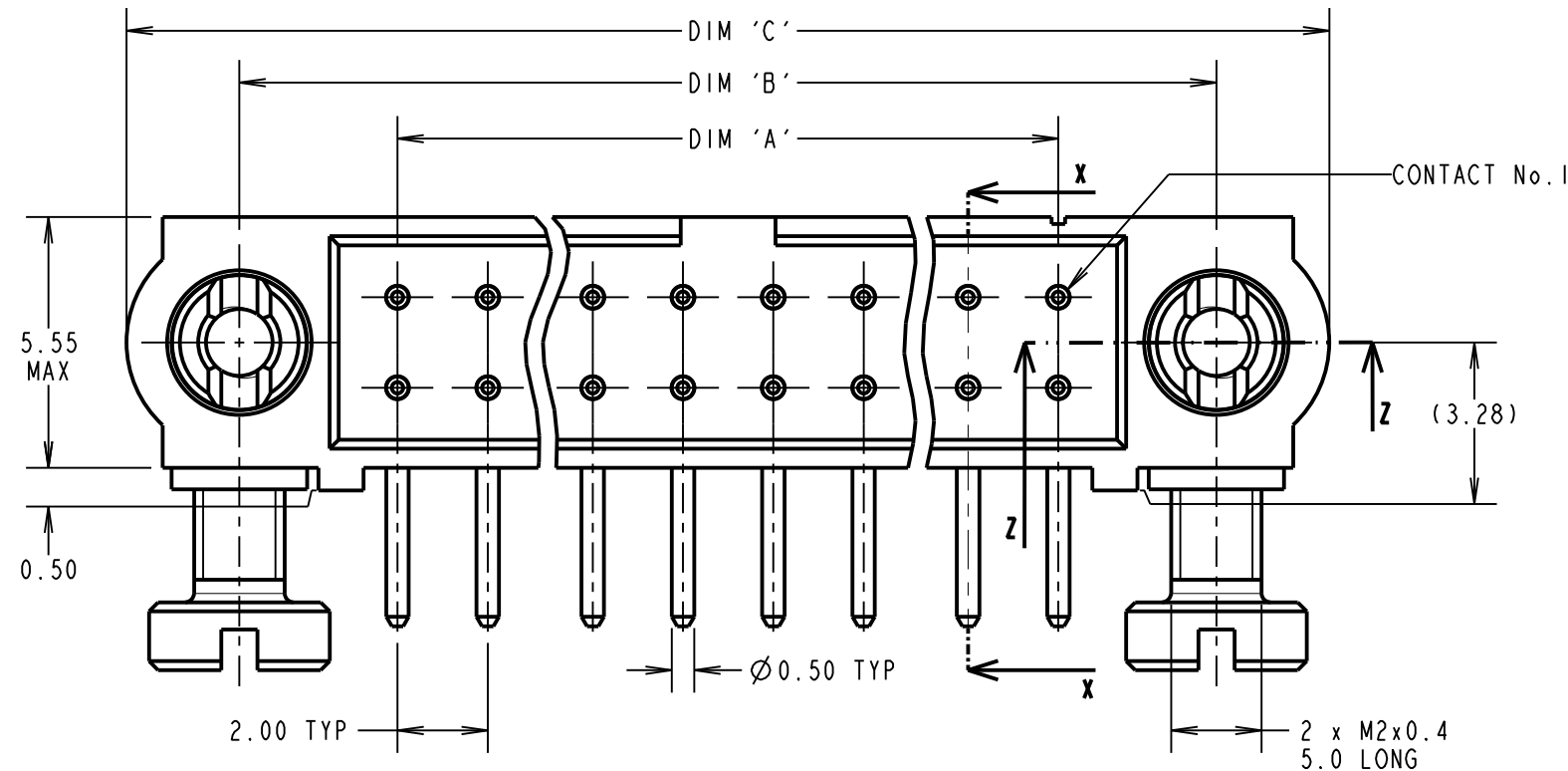
**ELECTRICAL:**  
 CURRENT RATING AT 25°C = 3.0A MAX  
 CURRENT RATING AT 85°C = 2.2A MAX  
 WORKING VOLTAGE = 800V AC/DC  
 VOLTAGE PROOF = 1200V AC/DC  
 CONTACT RESISTANCE = 25 mΩ MAX  
 INSULATION RESISTANCE = 100 MΩ MIN

**MECHANICAL:**  
 DURABILITY = 500 OPERATIONS

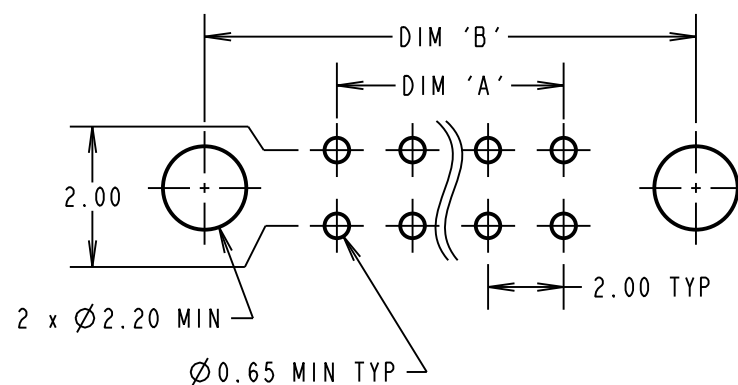
**ENVIRONMENTAL:**  
 TEMPERATURE RANGE = -55°C TO +125°C

**PACKING:**  
 TUBE

FOR COMPLETE SPECIFICATION, SEE COMPONENT SPECIFICATION C005XX (LATEST ISSUE)



**RECOMMENDED PCB LAYOUT**



ORDER CODE: **M80-5L1XXXXMD**

TOTAL No. OF CONTACTS  04 TO 50 (EVEN NUMBERS ONLY)

FINISH CODE

05 - ALL OVER GOLD  
 22 - GOLD ON CONTACT AREA / TIN/LEAD ON TAIL  
 42 - GOLD ON CONTACT AREA / 100% TIN OVER NICKEL ON TAIL

SF	3	04.07.13	12138
NAME	ISS.	DATE	C/NOTE
APPROVED:		S.FLOWER	
CHECKED:		M.PLESTED	
DRAWN:		S.FLOWER	
CUSTOMER REF.:			
ASSEMBLY DRG:			

DIMENSION	CALCULATION
DIM 'A'	TOTAL No. OF CONTACTS - 2
DIM 'B'	TOTAL No. OF CONTACTS + 5
DIM 'C'	TOTAL No. OF CONTACTS + 10

EXAMPLE ORDER CODE 1: CONNECTOR WITH 20 CONTACTS, GOLD ON CONTACT AREA AND 100% TIN OVER NICKEL ON TAIL  
**M80-5L12042MD**  
 DIM 'A' = 18.00mm, DIM 'B' = 25.00mm, DIM 'C' = 30.00mm.

<p>www.harwin.com                  technical@harwin.com</p>	<p>THIS DRAWING AND ANY INFORMATION OR DESCRIPTIVE MATTER SET OUT HEREON ARE CONFIDENTIAL AND COPYRIGHT PROPERTY OF THE HARWIN GROUP AND MUST NOT BE DISCLOSED, LOANED, COPIED OR USED FOR MANUFACTURING, TENDERING OR FOR ANY OTHER PURPOSE WITHOUT THEIR WRITTEN PERMISSION.</p>	<p>TOLERANCES</p> <p>X. = ±1mm                  X.X = ±0.25mm                  X.XX = ±0.10mm                  X.XXX = ±0.01mm</p> <p>ANGLES = ±5°                  UNLESS STATED</p>	<p>MATERIAL:</p> <p>SEE ABOVE</p>	<p>TITLE:</p> <p>DATAMATE MIX-TEK DIL HORIZ 3mm PC-TAIL MALE ASSY WITH IOILOK BOARD MOUNT RETAINERS</p>
		<p>FINISH:</p> <p>SEE ABOVE</p>	<p>DRAWING NUMBER:</p> <p><b>M80-5L1XXXXMD</b></p>	<p>SHT 2 OF 2</p>