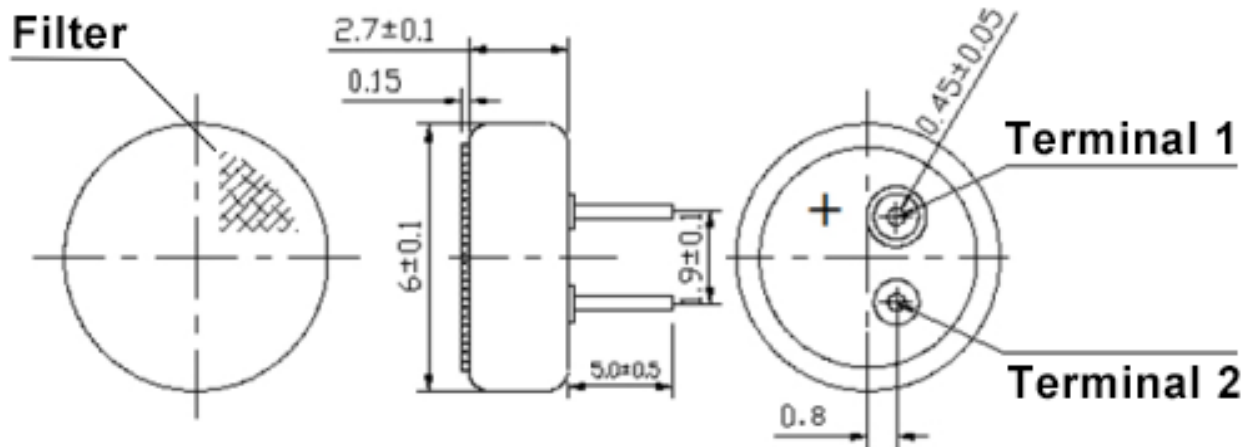


**May not be suitable for all Medical and Aerospace applications.
Contact Mallory Sonalert to discuss your application.**

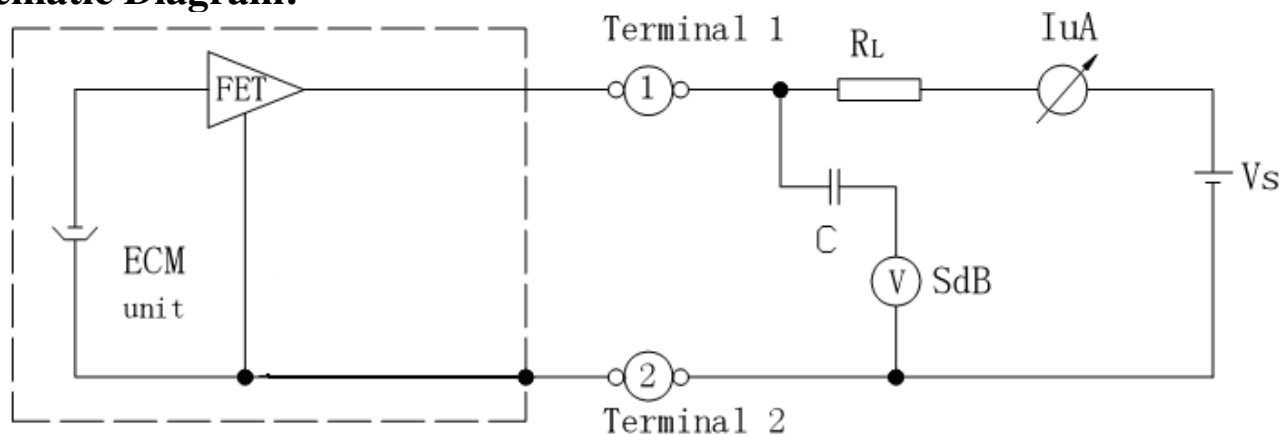
Sensitivity Range	-40 ± 2 dB RL = 2.2 kΩ Vs = 4.5vdc (1 kHz 0 dB = 1 v/Pa)
Impedance	Max. 2.2kΩ 1 kHz (RL = 2.2 kΩ)
Frequency	20 - 16000 Hz
Current Consumption	Max 0.5 mA
Operating Voltage Range	1.0 – 10 Vdc
Max SPL (dB)	115 dB
S/N Ratio	More than 56 dB
Sensitivity Reduction	4.5 –3.0V Variation less than 3 dB
Storage Condition	-20 ~ +60°C; R.H. < 45% ~ 75%
Operating Condition	-10 ~ +45°C; R.H. <85%
Weight (g)	0.05
Options	For other options contact factory

Dimensions: (units: mm)

ROHS Compliant



Schematic Diagram:



Packaging: Bulk pack in quantities of 100pcs.