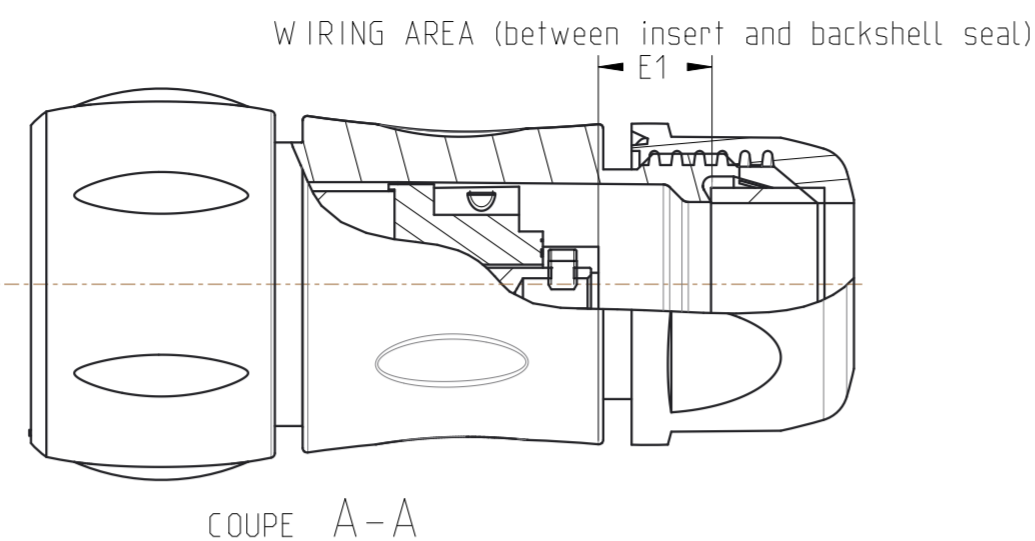


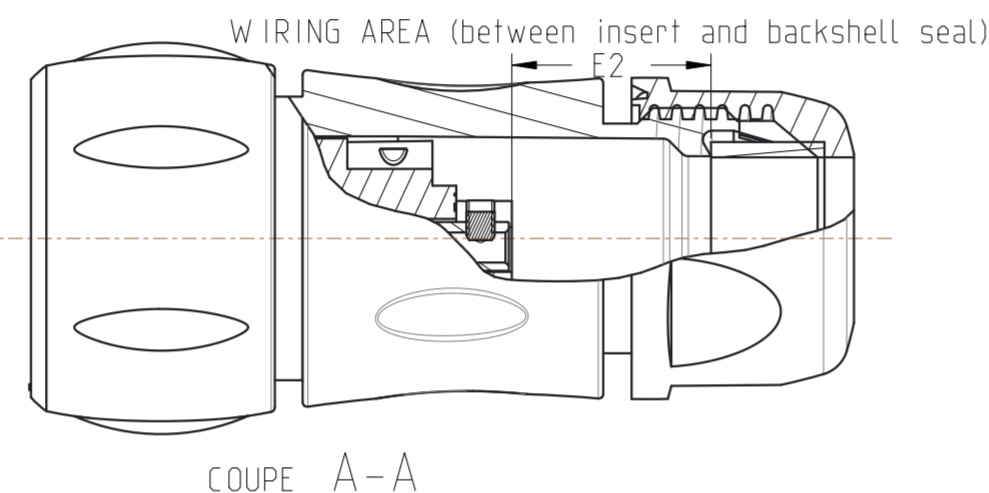
B.2: Validé

SIDE VIEW FOR EACH VERSION

UTSX6JC-----PSCR



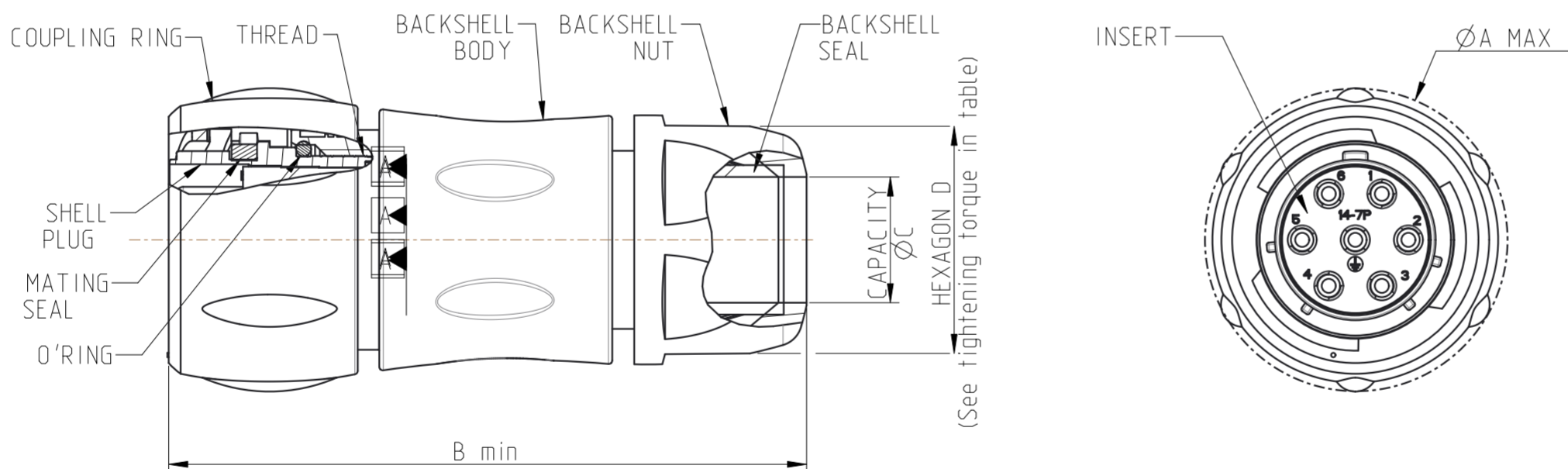
UTSX6JC-----SSCR



SEALING CONDITIONS

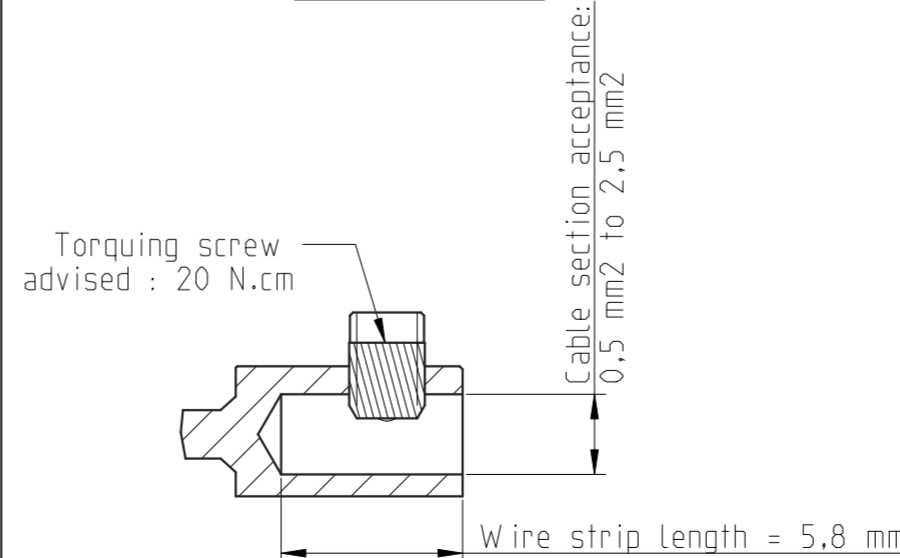
Sealing in MATED conditions with COUNTERPART:
 -IP6x : No ingress of dust
 -IPx8 1 bar during 1 week: immersion under 10 m of water.
 -IPx9K : exposure to high pressure water of cleaning equipment (IEC 60529)

COMMON QUOTES FOR ALL VERSION



SHELL SIZE	MAX		STANDARD	REDUCING SEAL (NOTA.3)	HEXAGON backshell nut		MAX	
	ØA	B			ØC	D	Tightening torque (N.m)	E1
12	29.7	66.7	5 / 12	3 / 9	24	2	15.1	22.8
14	34.6	71.5	7 / 14	5 / 12	26	2.5	18.95	26.7

DETAIL CONTACT



MATERIAL :

- SHELL : PA UL94 V0, UL746C F1 Black color
- COUPLING RING: PA UL94 V0 F1 Black color
- BACKSHELLS : PA UL94 V0 F1 Black color
- BACKSHELL Seal : CR
- INSERT : PA UL94 V0, UL746C F1
- O'RING : NITRIL
- MATING SEAL : SILICON
- CONTACT SPRING: copper alloy
- CONTACT BODY : brass, gold and nickel plated
- SCREW : stainless steel

PERFORMANCE CHARACTERISTICS :

Operating temperature: -40°C up to 105°C
 Insulation resistance: 5000 MΩmin
 Corrosion salt spray: 500 hours
 Durability: 250 matings and unmatings
 Sealing conditions: SEE TABLE

NOTA :

- 1- Contact to be ordered separately for version UTSX0----- : refer to corresponding catalogue.
- 2- Insert arrangement refer to:

UTX_LAYOUT (Standard Version)
 Only for layout 12-4 and 14-7

- 3- This part shall be used at the place of the standard seal to accomodate with different cable Ø
- 4- Plug, backshell and the reducing seal are delivered as a kit. The backshell already includes the standard seal.

Country	Jurisdiction & Control List
FR	NOT LISTED

SOURIAU shall not be liable for any non-conformity or damage due to a use of the Products which does not comply with the Specifications issued by either of the Parties or by a third party (professional recommendation, technical notice.)

P/N : CROSS REF TABLE

BASIC SERIES	UTSX	6	JC	14	7	P	SCR	*P/N for example
SHELL TYPE	6 Plug							
RACCORD	JC							
SHELL SIZE	12 14							
INSERT ARRANGEMENT	See NOTA 2							
TYPE OF CONTACTS	P: MALE S: FEMALE							

B	15/09/2021	Mass column deleted	25782C
ISS	DATE	Latest modification - by:	Q.LECOMTE
Designed by:	J.GAMBIER	Date: 1 29/10/2020	CUSTOMER DRAWING
TITLE	PLUG T6 WITH BACKSHELL JC AND SCREW CONTACT - SIZE 12 & 14 CONNECTEUR UTSX		
Scale	3/2	Dimensions in mm General Linear Tolerances: ± 0.2	NPRDS / PROJECT GBB
FORMAT	A2	SOURIAU DRG N° UTSX-0006A-C	SHEET 1 / 1



www.souriau.com

This document is the property of SOURIAU. It must not be reproduced or communicated without permission.