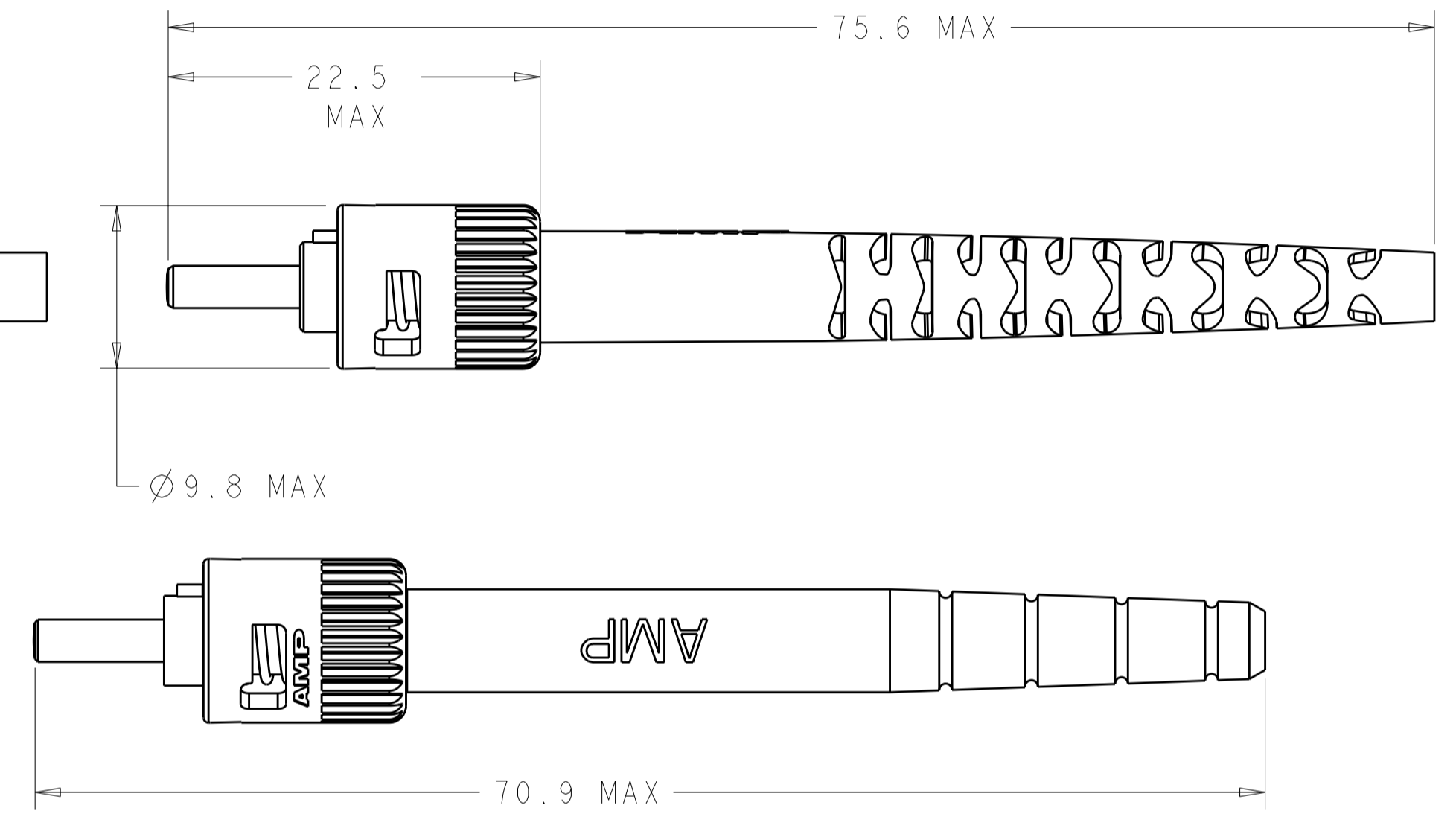
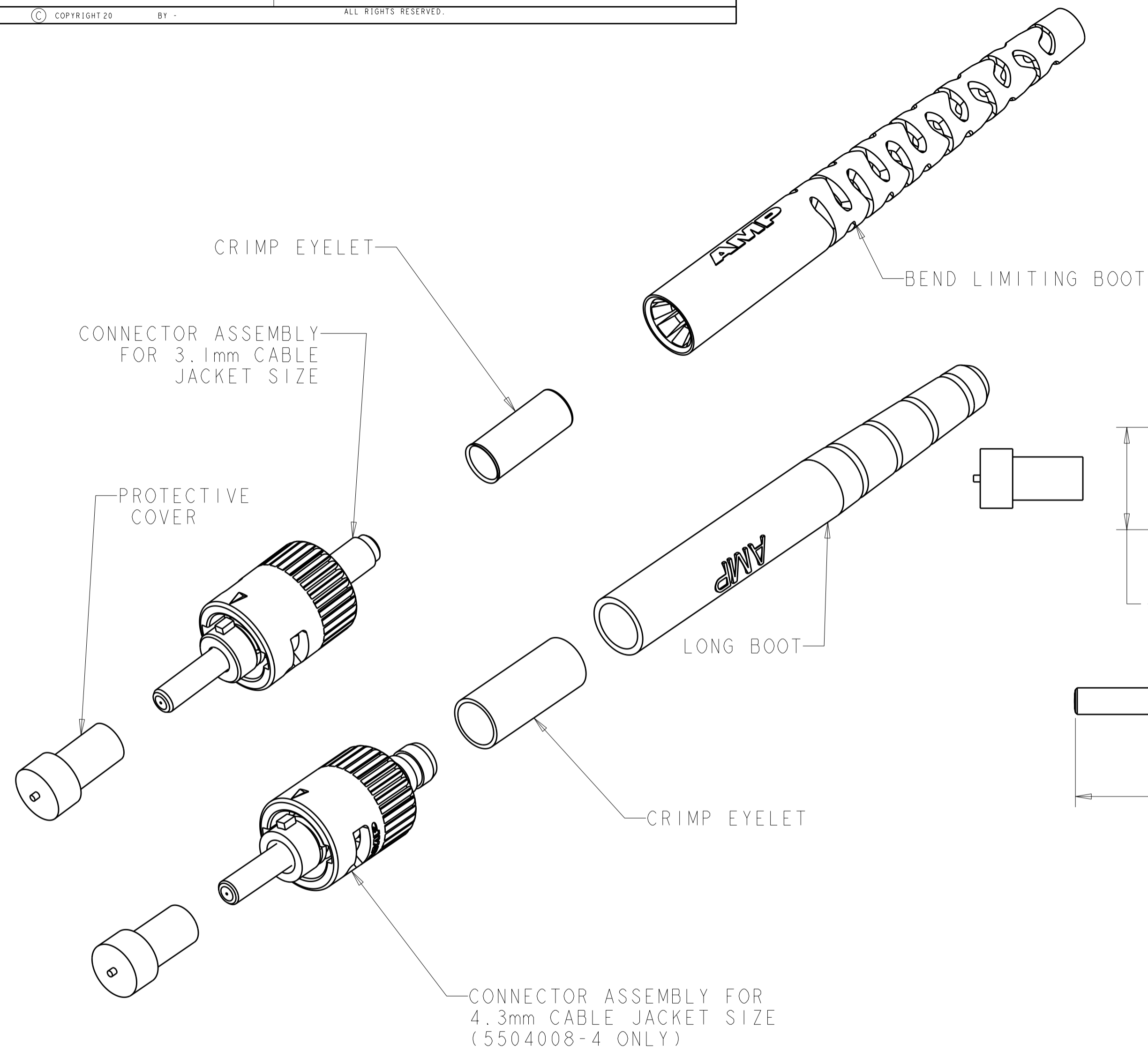


THIS DRAWING IS UNPUBLISHED. RELEASED FOR PUBLICATION 20
 © COPYRIGHT 20 BY - ALL RIGHTS RESERVED.

LOC	DIST	REVISIONS			
P	LTR	DESCRIPTION	DATE	DWN	APVD
CE	00				
		BI	REVISD PER ECO-11-005027	15MAR2011	RK HMR



- 1 BULK PACKAGE.
- 2 MATERIAL:
 - PROTECTIVE COVER: LDPE, COLOR: BLACK, NON-FR.
 - CONNECTOR ASSY
 - FERRULE ASSY: STAINLESS STEEL/NICKEL PLATED BRASS.
 - SPRING: STAINLESS STEEL.
 - COUPLING NUT: ZINC.
 - RETENTION RING: STAINLESS STEEL.
 - 3.1mm CRIMP EYELET: TIN PLATED COPPER.
 - LONG AND BEND LIMITING BOOTS: TPE, COLOR: BLACK, UL94 V-0 RATED AT AT QUALIFYING THICKNESS.
 - 4.3mm CRIMP EYELET: NICKEL PLATED BRASS

1	NONE	125um	5-5504008-4
	BEND LIMITING	280um	4-5504008-6
1	BEND LIMITING	125um	1-5504008-7
	BEND LIMITING	231um	1.5504008-4
	BEND LIMITING	240um	1-5504008-3
	BEND LIMITING	140um	5504008-7
	LONG	125um	5504008-4
	BEND LIMITING	125um	5504008-3
	BOOT	HOLE SIZE	PART NUMBER

THIS DRAWING IS A CONTROLLED DOCUMENT.

DIMENSIONS:	TOLERANCES UNLESS OTHERWISE SPECIFIED:	DWN B. BRIGGS 29JUN2005	 TE Connectivity
mm	0 PLC ±	CHK S. BUCHTER 29JUN2005	
	1 PLC ±	APVD S. BUCHTER 29JUN2005	
	2 PLC ±	PRODUCT SPEC	
	3 PLC ±	APPLICATION SPEC	NAME CONNECTOR KIT, SST, 2.5mm BAYONET
	4 PLC ±	WEIGHT	SIZE CAGE CODE DRAWING NO RESTRICTED TO
MATERIAL	ANGLES ±	CUSTOMER DRAWING	A200779C-5504008
	FINISH	SCALE 3:1	SHEET 1 OF 1 REV BI