

Customer Information Sheet

DRAWING No.: M80-792XXXX

IF IN DOUBT - ASK

©

NOT TO SCALE

THIRD ANGLE PROJECTION

ALL DIMENSIONS IN mm

ORDER CODE:

M80-792XXXX

TOTAL No. OF WAYS
02-07, ~~17~~, ~~22~~

FINISH
22 - GOLD ON CONTACT AREA
TIN/LEAD ON TAILS
42 - GOLD ON CONTACT AREA
100% TIN ON TAILS
45 - GOLD

NOTES:
1. 2-OFF STRAIN RELIEF STRAP M80-0030006
ARE INCLUDED WITH EACH CONNECTOR.

SPECIFICATIONS:

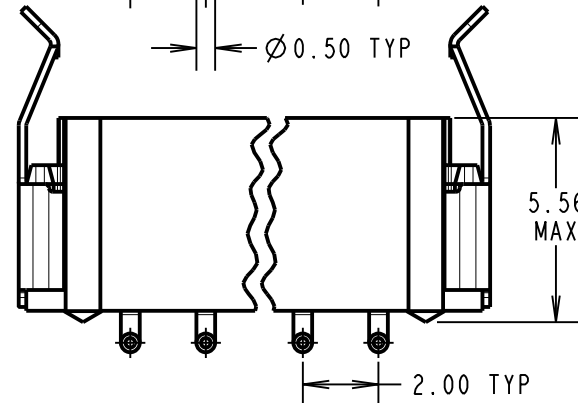
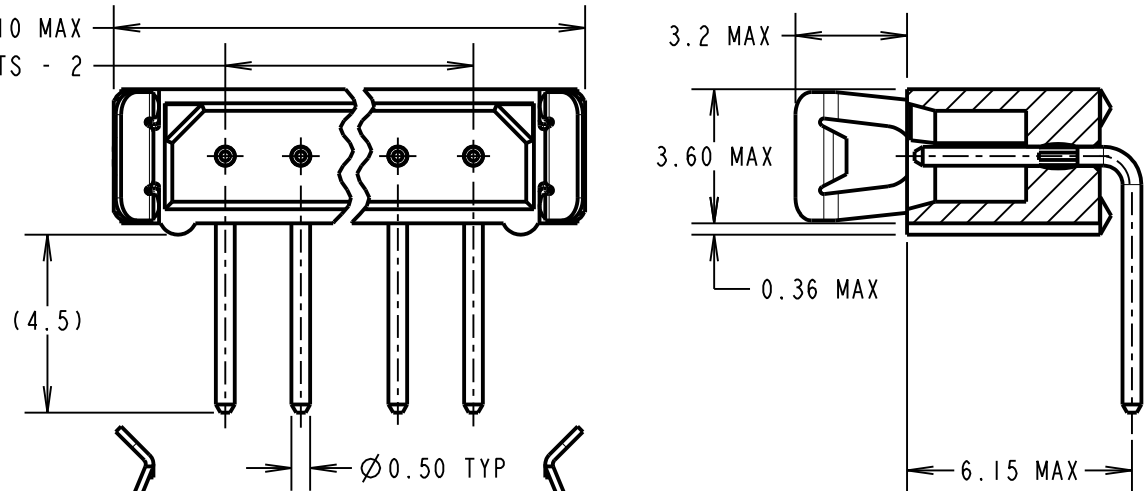
MATERIAL:
MOULDING = GLASS-FILLED PPS UL94V-0, BLACK
CONTACTS = PHOSPHOR BRONZE
LATCHES = BERYLLIUM COPPER

FINISH:
CONTACTS:
22 = 0.75µm GOLD ON CONTACT AREA, 3.0µm TIN/LEAD ON TAILS
42 = 0.75µm GOLD ON CONTACT AREA, 3.0µm 100% TIN ON TAILS
45 = 0.75µm GOLD
LATCHES = 1.25µm NICKEL

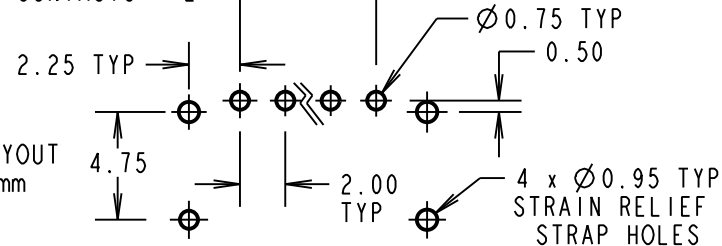
ELECTRICAL:
CURRENT RATING AT 25°C = 3.0A MAX
CURRENT RATING AT 85°C = 2.2A MAX
WORKING VOLTAGE = 800V AC/DC
VOLTAGE PROOF = 1200V AC/DC
CONTACT RESISTANCE (INITIAL) = 20 mΩ MAX
CONTACT RESISTANCE (AFTER CONDITIONING) = 25 mΩ MAX
INSULATION RESISTANCE (INITIAL) = 1,000 MΩ MIN
INSULATION RESISTANCE (AFTER CONDITIONING) = 100 MΩ MIN

MECHANICAL:
DURABILITY = 500 OPERATIONS
ENVIRONMENTAL:
TEMPERATURE RANGE = -55°C TO +125°C
PACKING: TUBE
FOR COMPLETE SPECIFICATION, SEE COMPONENT
SPECIFICATION C005XX (LATEST ISSUE)

TOTAL No. OF CONTACTS + 4.10 MAX
TOTAL No. OF CONTACTS - 2



TOTAL No. OF CONTACTS - 2



RECOMMENDED PCB LAYOUT
TOLERANCE ±0.05mm

OBSOLETE
Pin counts 17 and 22
Last Time Buy 21-Aug-2020

MGP	4	01.12.21	31135
NAME	ISS.	DATE	CN/CO
APPROVED: MGP			
CHECKED: MR			
DRAWN: JM BROOKES		CUSTOMER REF.:	
ASSEMBLY DRG:			

HARWIN

www.harwin.com
technical@harwin.com

THIS DRAWING AND ANY
INFORMATION OR DESCRIPTIVE
MATTER SET OUT HEREON ARE
CONFIDENTIAL AND COPYRIGHT
PROPERTY OF THE HARWIN
GROUP AND MUST NOT BE
DISCLOSED, LOANED, COPIED
OR USED FOR MANUFACTURING,
TENDERING OR FOR ANY
OTHER PURPOSE WITHOUT
THEIR WRITTEN PERMISSION.

TOLERANCES
X. = ±1mm
X.X = ±0.50mm
X.XX = ±0.20mm
X.XXX = ±0.01mm
ANGLES = ±5°
UNLESS STATED

MATERIAL:
SEE ABOVE
FINISH:
S/AREA: mm²

TITLE: DATAMATE SIL
HORIZONTAL MALE PC TAIL
ASSEMBLY - LATCHED

DRAWING NUMBER:
M80-792XXXX

SHT
2 OF 2