



MADE IN THE USA

### Associated Products (each sold separately):

- BP-021: Bulk Dispenser - Single (shown below)
- BP-022: Bulk Dispenser - Double
- BP-023: Bulk Dispenser - Triple



### Product Description:

- Protective Wear Dispenser - Cap/Shoe Cover
- Holds one box of bouffant caps or shoe covers
- Keyholes for wall mounting
- White Powder-Coated Steel

### Primary Area for Product Usage:

- Patient care areas: O.R. dressing rooms, surgery centers, labs, interventional radiology, ICU, clinics
- Any location where PPE supplies are used for isolation and staff protection

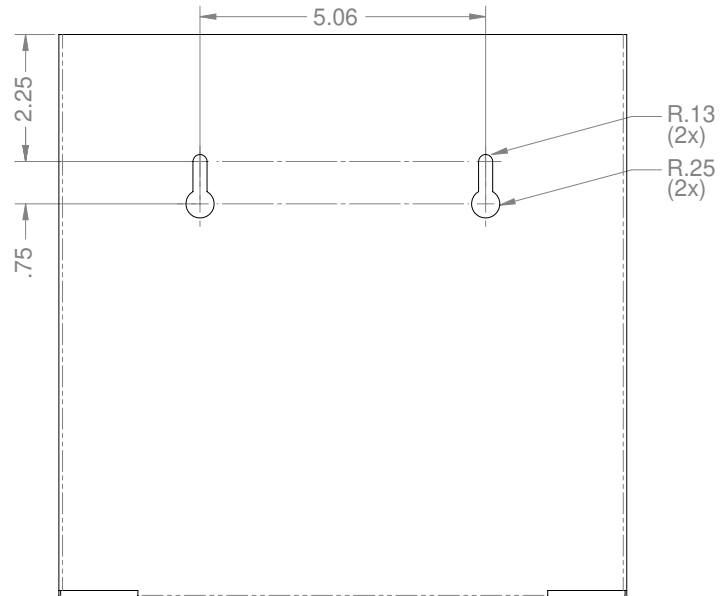
### Dispenses:

- Box(es) no larger than 10.00"W x 10.00"H x 5.25"D (25.6 cm x 25.4 cm x 13.5 cm)
- Box(es) no smaller than 9.31"W x 8.00"H x 4.50"D (23.6 cm x 20.3 cm x 11.4 cm)

### Product Specifications (overall external dimensions):

- 10.06"W x 10.00"H x 5.31"D (25.6 cm x 25.4 cm x 13.5 cm)
- 2.2 lbs (1.0 kg) - approximated

### Mounting Specifications:



### Package Specifications:

- Package Quantity: 6 per case
- 16"W x 12"H x 12"D (40.6 cm x 30.5 cm x 30.5 cm)
- 15.0 lbs (5.8 kg) - approximated

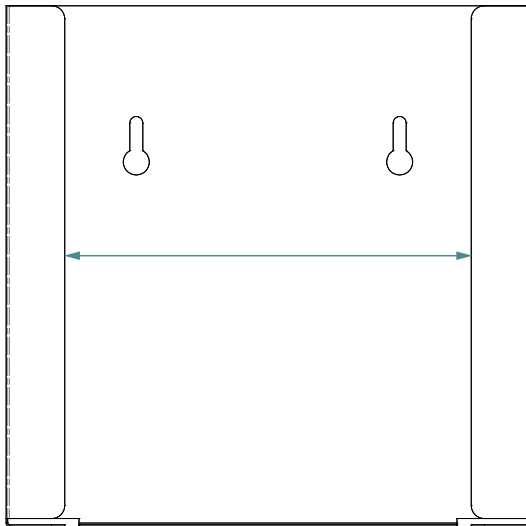




## Installation

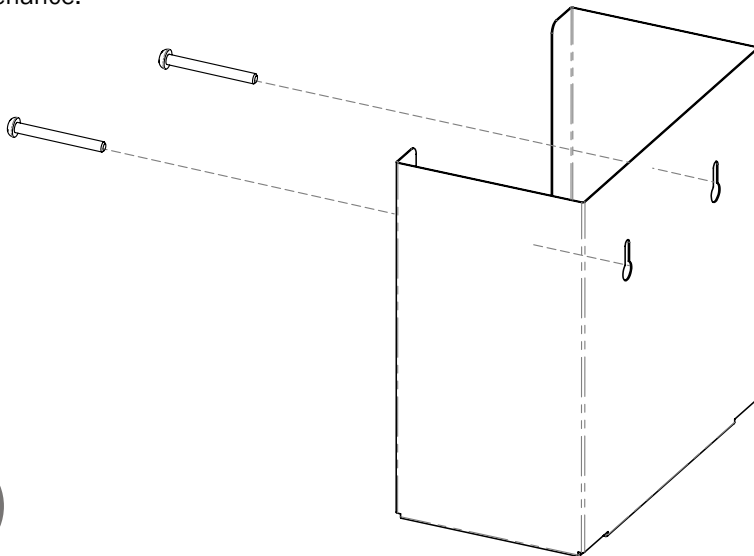
Always mount dispensers securely *prior* to loading with product.

- Straight side flanges allow full vertical view and almost 8.00" horizontal view of the box contained.



1

- Mount securely to a wall with screws approved and supplied by building maintenance.



2

### Parts included:

- Dispenser

### Tools Required:

- No tools required to assemble dispenser

## Care and Construction

Powder-Coated Steel

### Material Characteristics

#### Designed for Long-Term Use

Our steel dispensers and stands are coated with polyester powders which makes them highly resistant to corrosion.

Powder-coated steel is ideal for dispensers used in a healthcare or an industrial setting because it is impact resistant and is not effected by extremes in temperature.

Dispensers and stands made of powder-coated steel are both attractive and functional, providing years of service.

### Care and Cleaning

For best results, clean by washing the surface with a diluted solution of a mild, non-abrasive detergent in cold or warm water and a non-abrasive cloth. Standard hospital cleaning supplies can be used.

Dry with a soft cloth. Do not use any solvent-based materials, abrasives (e.g. Scotch-brite, steel wool), or apply excessive force during cleaning.