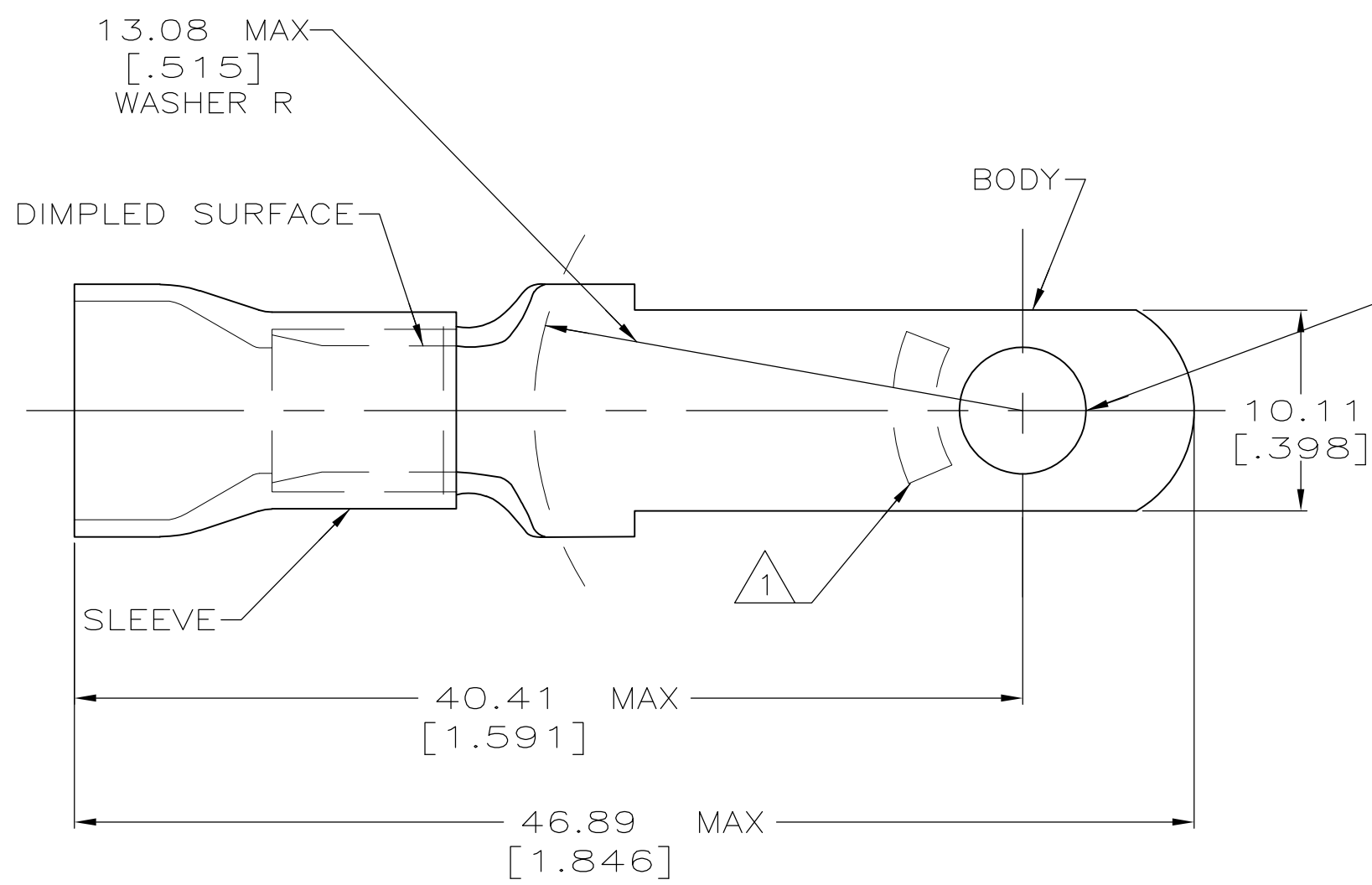


THIS DRAWING IS UNPUBLISHED. RELEASED FOR PUBLICATION
 © COPYRIGHT BY TYCO ELECTRONICS CORPORATION. ALL INTERNATIONAL RIGHTS RESERVED.

LOC	DIST	REVISIONS					
G	14	P	LTR	DESCRIPTION	DATE	DWN	APVD
			J2	REVISED PER ECO-11-002228	11FEB11	HMR	DR

AMP WIRE RANGE	RU FILE E13288	LR7189 Certified
6 AWG STRANDED	6 AWG STRANDED	6 AWG STRANDED



- 1 STAMP AMP 6* LOCATE APPROX AS SHOWN
- 2 TONGUE MATERIAL THK 1.14±0.08[.045±.003]
- 3 WIRE INSULATION DIA 11.43[.450] MAX
- 4 TAPE ITEMS ARE ON 30.48 [1.200] CENTERS

500	ON TAPE	55679-2
100	LOOSE PC	55679-1
QTY	PACKAGE TYPE	PART NO

AMP INCORPORATED CUSTOMER SERVICE SYSTEMS		MAX RECOMMENDED OPERATING TEMPERATURE: 105° C
FOR ADDITIONAL PRODUCT INFORMATION OR COPIES OF DRAWINGS AND TECHNICAL DOCUMENTS	PRODUCT INFORMATION CENTER 1-800-522-6752	VOLTAGE RATING: 600 V MAX
FOR APPLICATION TOOLING INFORMATION	TOOLING ASSISTANCE CENTER 1-800-722-1111	CIRCULAR MIL AREA: 10.54-16.77mm ² [20,800-33,100] STRANDED
FOR ORDER ENTRY	1-800-526-5142	THIS DRAWING IS A CONTROLLED DOCUMENT FOR AMP INCORPORATED. IT IS SUBJECT TO CHANGE AND THE CONTROLLING ENGINEERING ORGANIZATION SHOULD BE CONTACTED FOR THE LATEST REVISION.

THIS DRAWING IS A CONTROLLED DOCUMENT.	
DIMENSIONS: mm [INCHES]	TOLERANCES UNLESS OTHERWISE SPECIFIED:
	0 PLC ± -
	1 PLC ± -
	2 PLC ± 0.20[.008]
	3 PLC ± -
	4 PLC ± -
	ANGLES ± -
MATERIAL COPPER PER ASTM B-152 PVC, COLOR: BLUE	FINISH TIN PLATE PER ASTM B545

DWN S.S. GOULDEN 10-12-93	Tyco Electronics Tyco Electronics Corporation Harrisburg, PA 17105-3608	NAME	TERMINAL, RING TONGUE, PLASTI-GRIP™, WIRE SIZE: 6 AWG
CHK R. HERSEY 10-12-93		SIZE	A3
APVD B. BARE 10-12-93		CAGE CODE	00779
PRODUCT SPEC NOT AVAILABLE		DRAWING NO	G-55679
APPLICATION SPEC 114-2161	RESTRICTED TO	-	
WEIGHT -	CUSTOMER DRAWING	SCALE	4:1
		SHEET	1 OF 1
		REV	J2