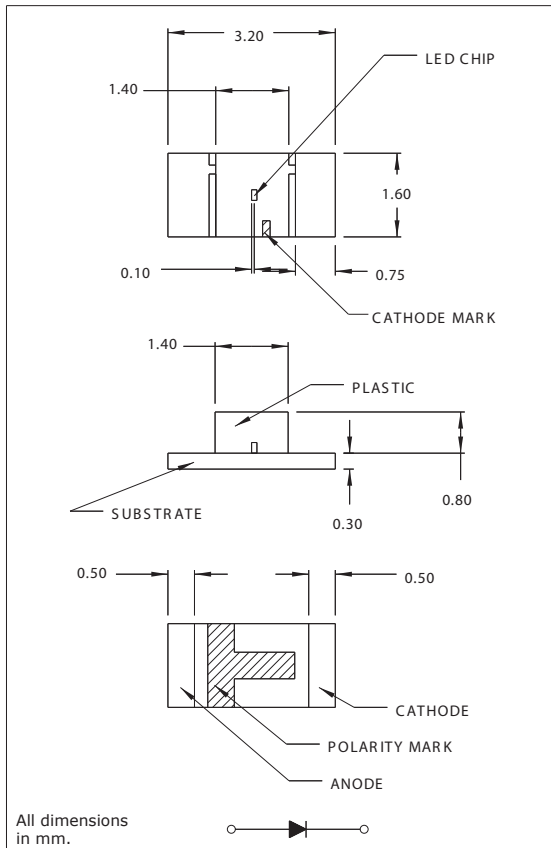


7021X Series Surface Mount LEDs Reverse Mounting Description and Features



Surface Mount Technology

- Tape and reel packaged for high-speed autoinsertion.
- Convection and vapor-phase reflow compatible.
- Compact form enables high density placement.
- Packaged 3000 per reel.

Leading Edge LED Optoelectronic Performance

- Consistent high brightness.

Exceptional Reliability

- Stringent process controls assure quality.
- Extensive qualification testing to meet strictest requirements.
- Designed to permit easy post-reflow solder joint inspection.

- Refer to "Solder Pad Geometry 1.pdf"

Electro-Optical Characteristics and Ratings

| PART NUMBER | 7021X1 | 7021X3 | 7021X5 | 7021X7 | 7021X15 |
|------------------------------------|-------------|-------------|-------------|-------------|-------------|
| Output Color | Red | Orange | Green | Yellow | Green |
| Diffused/Non-Diffused | Diffused | Diffused | Diffused | Diffused | Diffused |
| Package Color | Clear | Clear | Clear | Clear | Clear |
| Power Dissipation (mW) | 57.5 | 70 | 70 | 70 | 70 |
| Peak Forward Current Max. (mA) | 60 | 60 | 60 | 60 | 60 |
| Reverse Voltage (IR=100µA) (V) | 4 | 4 | 4 | 4 | 4 |
| Operating temperature (°C) | -30 to +85 | -30 to +85 | -30 to +85 | -30 to +85 | -30 to +85 |
| Storage Temperature (°C) | -40 to +100 | -40 to +100 | -40 to +100 | -40 to +100 | -40 to +100 |
| Forward Voltage Typ. (IF=20mA) | 1.7 | 2.2 | 2.1 | 2.2 | 2.1 |
| Forward Voltage Max. (IF=20mA) | 2.3 | 2.8 | 2.8 | 2.8 | 2.8 |
| Lead Solder Time @ 260°C (seconds) | 5 | 5 | 5 | 5 | 5 |
| Luminous Intensity Min. (IF=20mA) | 7.6 | 2.2 | 4.1 | 2.2 | 1.6 |
| Luminous Intensity Typ. (IF=20mA) | 12.7 | 3.7 | 6.9 | 3.7 | 2.7 |
| Peak Wavelength (IF=20mA) | 660 | 605 | 560 | 580 | 555 |
| Viewing Angle (degrees) | 75 | 70 | 70 | 70 | 70 |
| Rated Current (mA) | 20 | 20 | 20 | 20 | 20 |