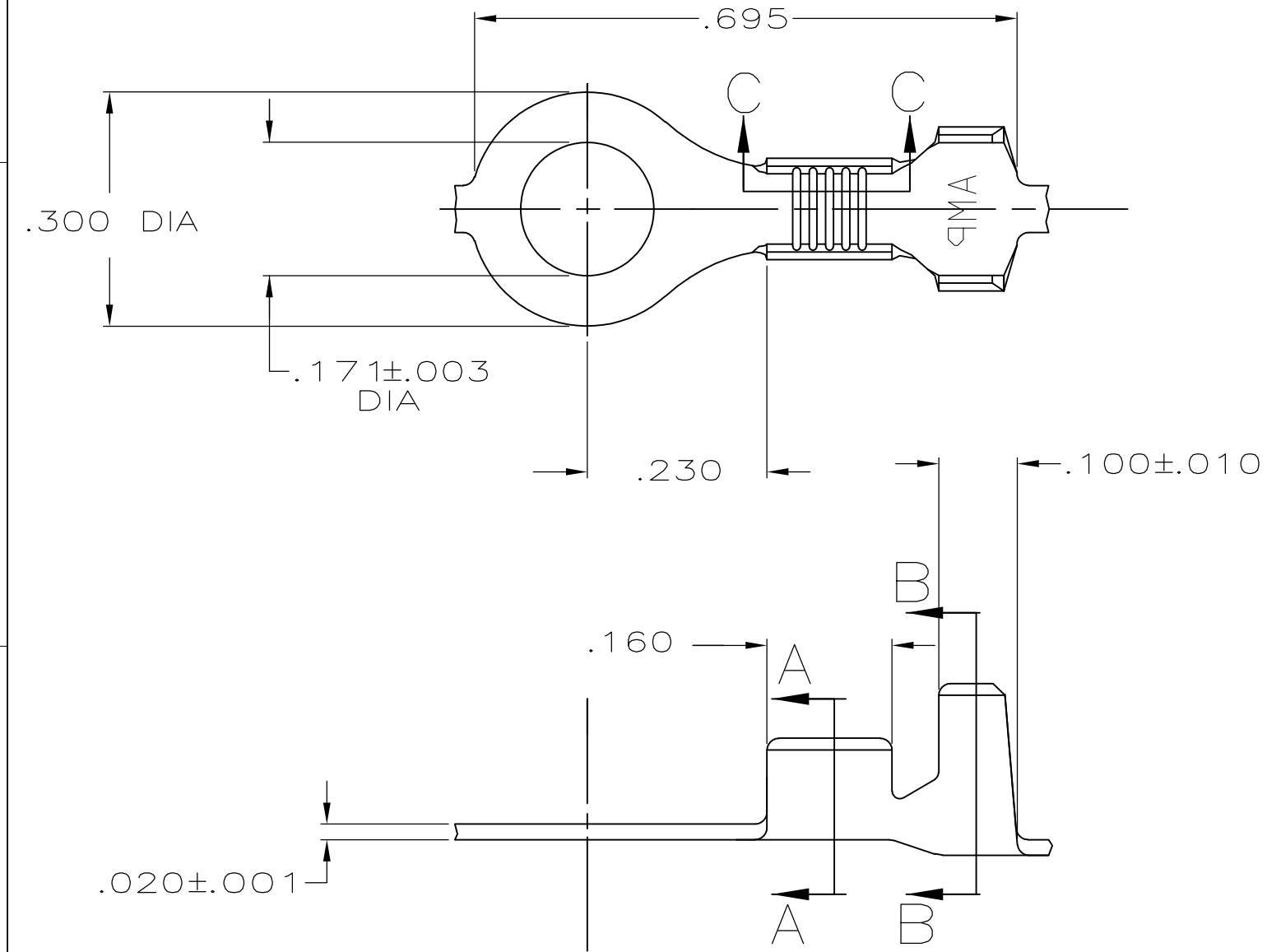
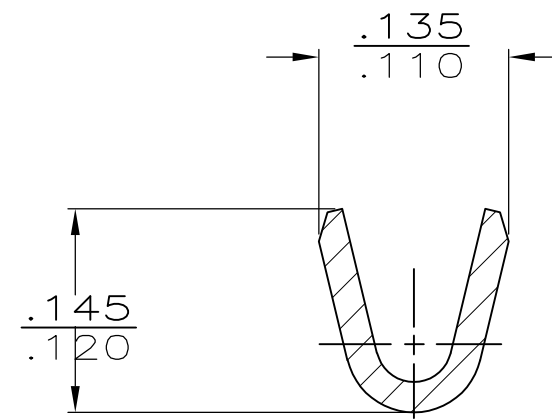


THIS DRAWING IS UNPUBLISHED. RELEASED FOR PUBLICATION
 © COPYRIGHT - By - ALL RIGHTS RESERVED.

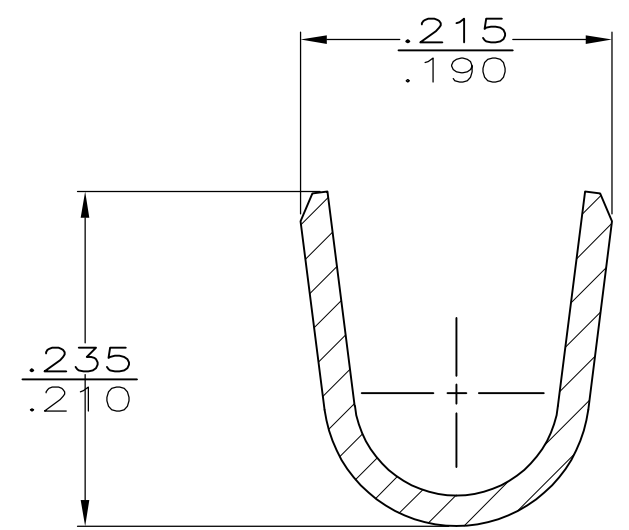
LOC	DIST	REVISIONS			
P	LTR	DESCRIPTION	DATE	DWN	APVD
AF	50	G	REVISE PER ECR-13-013738	15FEB2014	GRZ JL



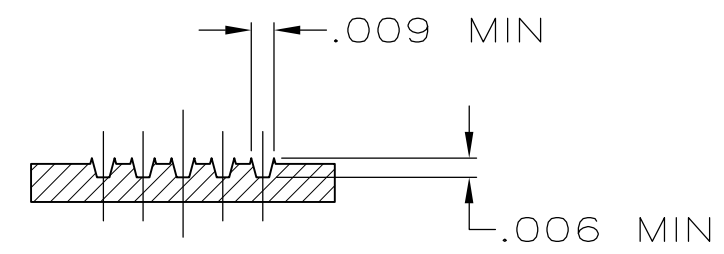
1 CONTINUOUS STRIP ON REELS



SECTION A-A
SCALE 8:1



SECTION B-B
SCALE 8:1



SECTION C-C
SCALE 10:1

.125-.165 DIA	20-16 AWG	60322-2
INSULATION RANGE	MAGNET WIRE RANGE	PART NUMBER

THIS DRAWING IS A CONTROLLED DOCUMENT.		DWN P FORTNEY 3/1/90	TE Connectivity				
DIMENSIONS: INCHES		CHK MS FEHER 3/1/90					
TOLERANCES UNLESS OTHERWISE SPECIFIED:		APVD G YETTER 3/1/90	NAME #8 STUD, RING,AMPLIVAR				
0 PLC ± - 1 PLC ± - 2 PLC ± - 3 PLC ± .015 4 PLC ± - ANGLES ± -		PRODUCT SPEC R KUZO 3/10/90					
MATERIAL BRASS		FINISH .000080 MIN TIN PL PER MIL-T-10727	APPLICATION SPEC	SIZE A3	CAGE CODE 00779	DRAWING NO C-60322	RESTRICTED TO
CUSTOMER DRAWING			WEIGHT	SCALE 5:1	SHEET 1 OF 1	REV G	