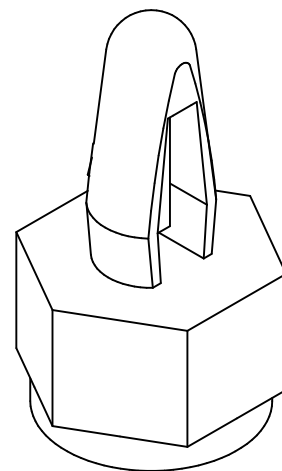
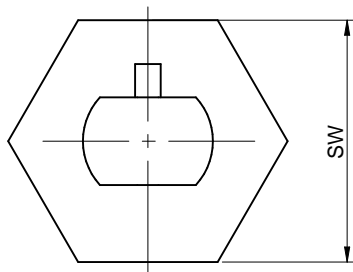
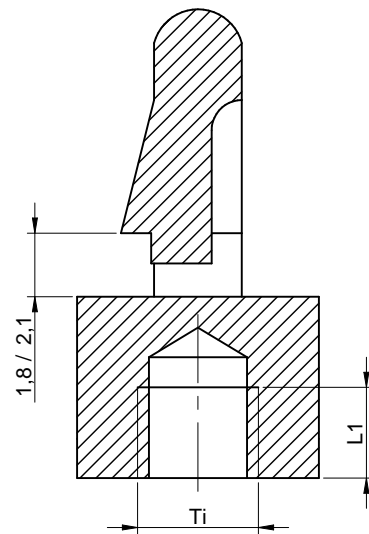
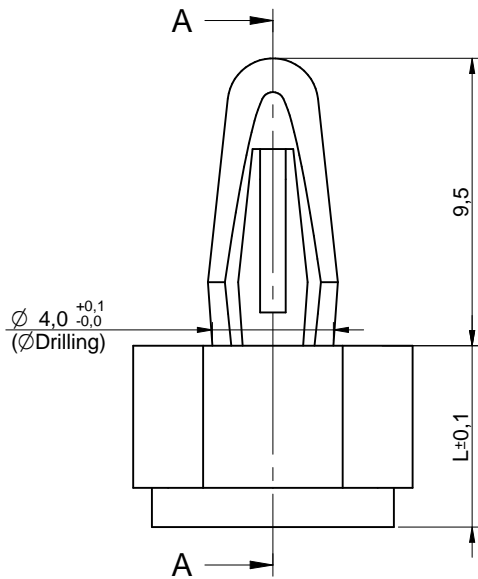


Order Code	L (mm)	L ₁ (mm)	Thread Size	SW
973060365	6	3.0	M 3.0	SW 6
973070365	7	3.0	M 3.0	SW 6
973080365	8	4.0	M 3.0	SW 6
973090365	9	4.5	M 3.0	SW 6
973100365	10	5.0	M 3.0	SW 6
973110365	11	5.5	M 3.0	SW 6
973120365	12	6.0	M 3.0	SW 6
973130365	13	6.5	M 3.0	SW 6
973140365	14	7.0	M 3.0	SW 6
973150365	15	7.5	M 3.0	SW 6
973160365	16	8.0	M 3.0	SW 6
973170365	17	8.5	M 3.0	SW 6
973180365	18	9.0	M 3.0	SW 6
973190365	19	9.5	M 3.0	SW 6
973200365	20	10.0	M 3.0	SW 6
973500365	50	10.0	M 3.0	SW 6



Würth Elektronik eiSos GmbH & Co. KG
EMC & Inductive Solutions

Max-Eyth-Str. 1
74638 Waldenburg
Germany
Tel. +49 79 42 945 - 0

www.we-online.com
eiSos@we-online.com



CREATED
D. Fandrey

CHECKED
S. Klingler

PROJECTION METHOD SCALE 4 : 1

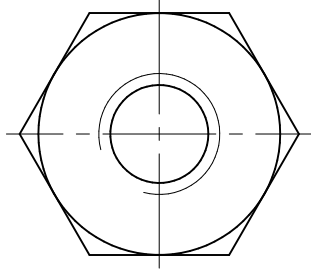
DESCRIPTION
**AsSNTI
Plastic Spacer Stud
Metric internal Thread/Clip**

MATERIAL
PA-GV, black
GENERAL TOLERANCE
DIN ISO 2768 T1m
ORDER CODE
973 xxx xx5

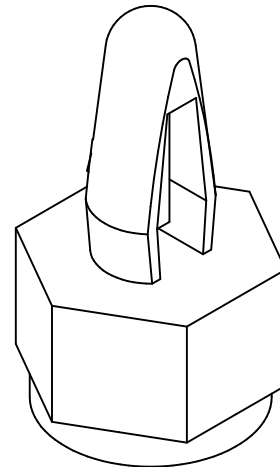
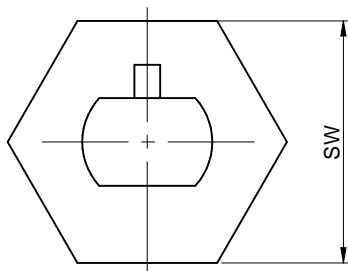
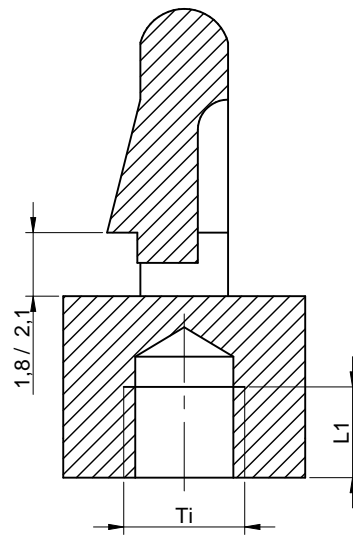
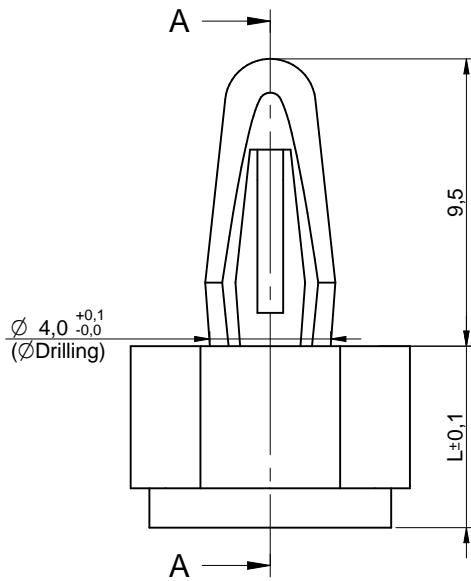
WEIGHT STATUS
Released

REV DATE
1.0 2015-02-18

PAGE
DE 1 / 1



Order Code	L (mm)	L ₁ (mm)	Thread Size	SW
973060385	6	3.0	M 3.0	SW 8
973070385	7	3.5	M 3.0	SW 8
973080385	8	4.0	M 3.0	SW 8
973090385	9	4.5	M 3.0	SW 8
973100385	10	5.0	M 3.0	SW 8
973110385	11	5.5	M 3.0	SW 8
973120385	12	6.0	M 3.0	SW 8
973130385	13	6.5	M 3.0	SW 8
973140385	14	7.0	M 3.0	SW 8
973150385	15	7.5	M 3.0	SW 8
973160385	16	8.0	M 3.0	SW 8
973170385	17	8.5	M 3.0	SW 8
973180385	18	9.0	M 3.0	SW 8
973190385	19	9.5	M 3.0	SW 8
973200385	20	10.0	M 3.0	SW 8
973500385	50	10.0	M 3.0	SW 8



Würth Elektronik eiSos GmbH & Co. KG
EMC & Inductive Solutions

Max-Eyth-Str. 1
74638 Waldenburg
Germany
Tel. +49 79 42 945 - 0

www.we-online.com
eiSos@we-online.com



CREATED
D. Fandrey

CHECKED
S. Klingler

PROJECTION METHOD SCALE 4 : 1

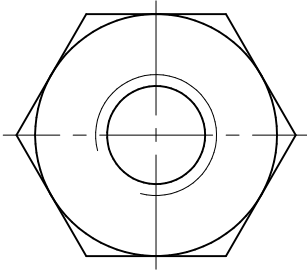
DESCRIPTION
**AsSNTI
Plastic Spacer Stud
Metric internal Thread/Clip**

MATERIAL
PA-GV, black
GENERAL TOLERANCE
DIN ISO 2768 T1m
ORDER CODE
973 xxx xx5

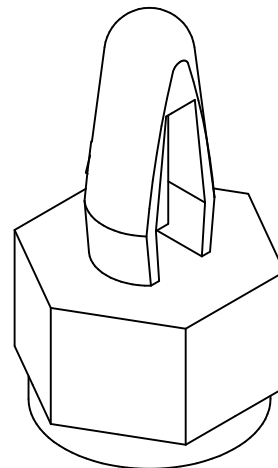
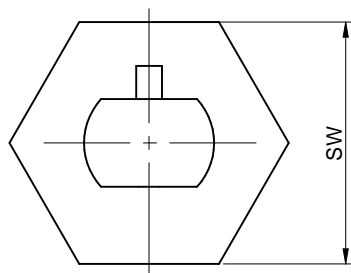
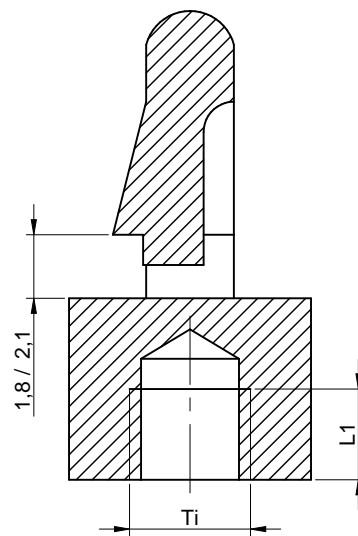
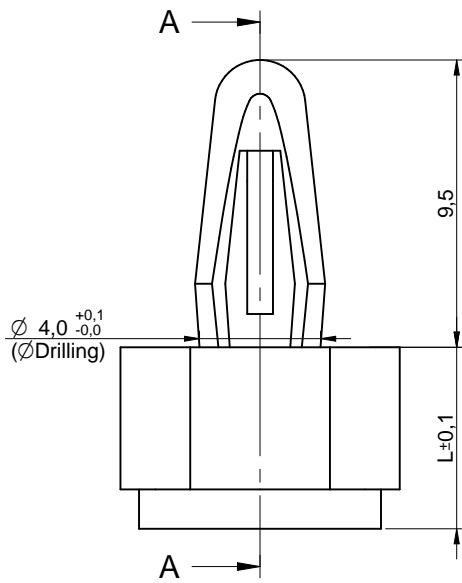
WEIGHT STATUS
Released

REV DATE
1.0 2015-02-18

PAGE
DE 1 / 1



Order Code	L (mm)	L ₁ (mm)	Thread Size	SW
973060485	6	3.0	M 4.0	SW 8
973070485	7	3.5	M 4.0	SW 8
973080485	8	4.0	M 4.0	SW 8
973090485	9	4.5	M 4.0	SW 8
973100485	10	5.0	M 4.0	SW 8
973110485	11	5.5	M 4.0	SW 8
973120485	12	6.0	M 4.0	SW 8
973130485	13	6.5	M 4.0	SW 8
973140485	14	7.0	M 4.0	SW 8
973150485	15	7.5	M 4.0	SW 8
973160485	16	8.0	M 4.0	SW 8
973170485	17	8.5	M 4.0	SW 8
973180485	18	9.0	M 4.0	SW 8
973190485	19	9.5	M 4.0	SW 8
973200485	20	10.0	M 4.0	SW 8
973500485	50	10.0	M 4.0	SW 8



Würth Elektronik eiSos GmbH & Co. KG
EMC & Inductive Solutions


Max-Eyth-Str. 1
74638 Waldenburg
Germany
Tel. +49 79 42 945 - 0

www.we-online.com
eiSos@we-online.com



CREATED
D. Fandrey

CHECKED
S. Klingler

PROJECTION METHOD  SCALE 4 : 1

DESCRIPTION
**AsSNTI
Plastic Spacer Stud
Metric internal Thread/Clip**

MATERIAL
PA-GV, black

GENERAL TOLERANCE
DIN ISO 2768 T1m

ORDER CODE
973 xxx xx5

WEIGHT STATUS
Released

REV DATE
1.0 2015-02-18

PAGE
DE 1 / 1