

MATERIAL

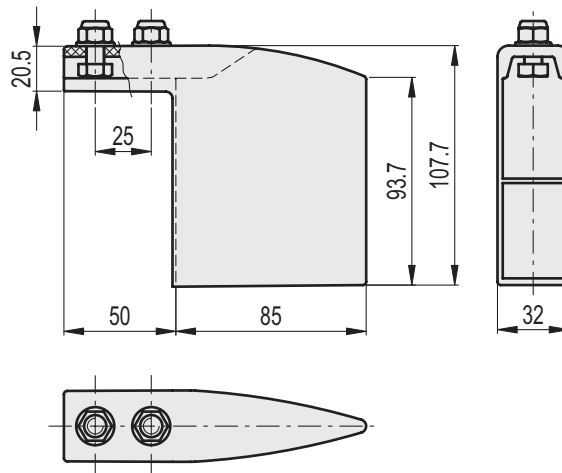
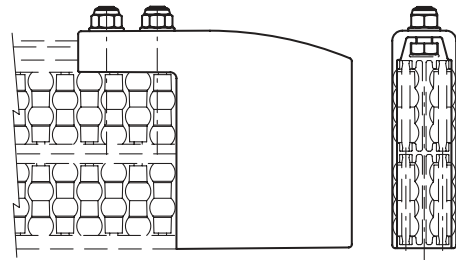
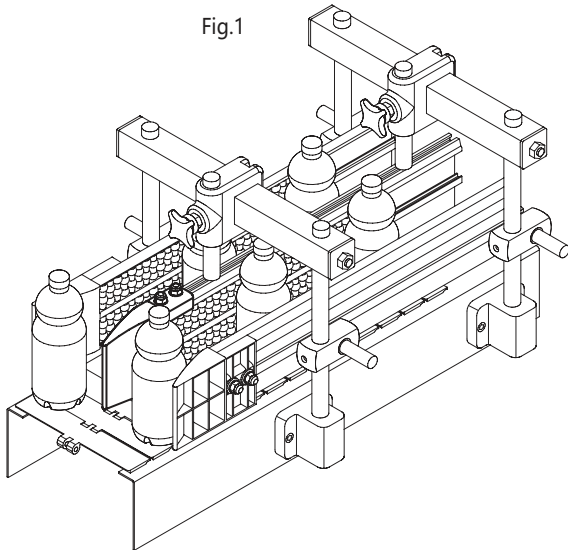
Polyethylene based (PE) technopolymer, grey colour.

SCREWS AND NUTS WITH THREAD LOCK

AISI 304 stainless steel

FEATURES AND APPLICATIONS

PGC-4 separation block is used at the ends of GCA-4 central guides (Fig.1).



INOX STAINLESS STEEL METRIC

Code	Description	⚖
419151	PGC-4-108-135	130

- 1
- 2
- 3
- 4
- 5
- 6
- 7
- 8
- 9
- 10
- 11
- 12**
- 13
- 14
- 15
- 16
- 17
- 18

Leveling elements and supports