

6

5

4

3

2

1

E

E

D

D

C

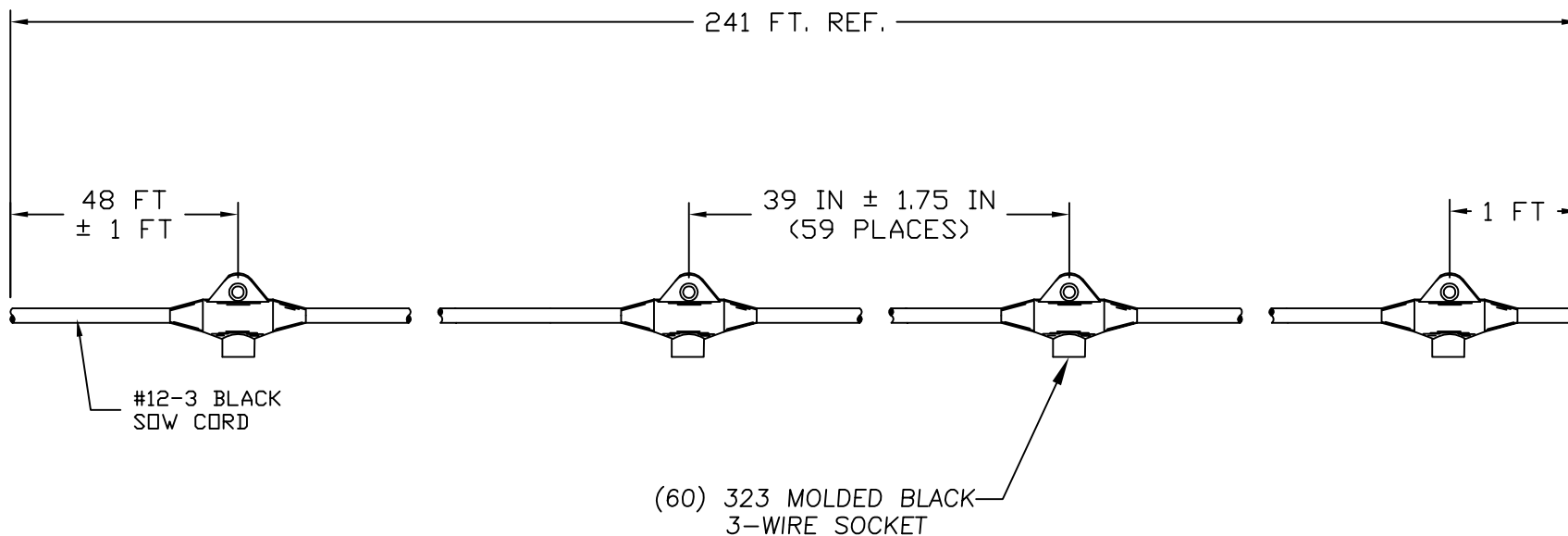
C

B

B

A

A



CUSTOMER DRAWING EC NO: WNA2009-0053 DRWN: TVICKERS 2008/07/23 CHKD: HK 2008/07/23 APPR: SZAFAR 2008/08/07	QUALITY SYMBOLS ▽=0 ∇=0	GENERAL TOLERANCES (UNLESS SPECIFIED)		DIMENSION STYLE ----		SCALE NTS	DESIGN UNITS INCH	THIRD ANGLE PROJECTION		
			mm	INCH	DRAWN BY TV	DATE 2008/07/23	TITLE STRINGLIGHT 241 FT (60) 323@39IN CENTERS 48FT LEAD & 1FT TAIL			
		4 PLACES	±----	±----	CHECKED BY HK	DATE 2008/07/23				
		3 PLACES	±----	±.020	APPROVED BY SZ		DATE 2008/07/23	MOLEX INCORPORATED		SHEET NO. 1 OF 1
2 PLACES	±----	±.010	MATERIAL NO. 1301060152		DOCUMENT NO. SD-130106-011					
1 PLACE	±----	±.005	ANGULAR ±.5°		SIZE A		THIS DRAWING CONTAINS INFORMATION THAT IS PROPRIETARY TO MOLEX INCORPORATED AND SHOULD NOT BE USED WITHOUT WRITTEN PERMISSION			
DRAFT WHERE APPLICABLE MUST REMAIN WITHIN DIMENSIONS										

6

5

4

3

2

1