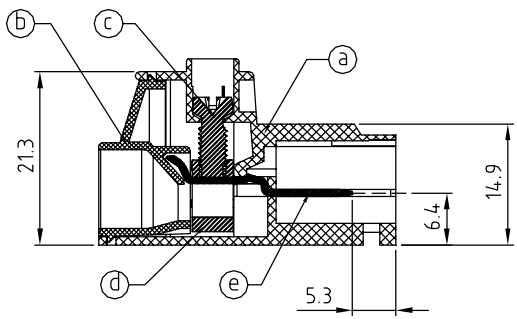
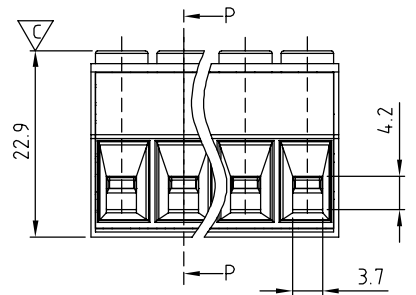
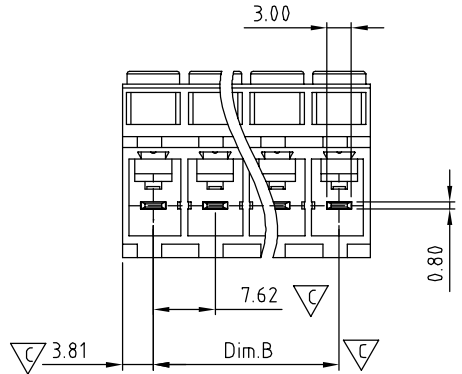
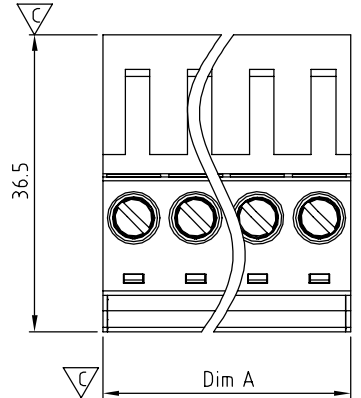


SIGN	DATE	DESCRIPTION	APPROVER
△			
△			
△			

*THIS IS CAD DRAWING, DO NOT REVISE MANUALLY!!!*



SECTION P-P

**Material**

- Item ㉑ Terminal(housing) : PA66 (UL94V-0)
- Item ㉒ Terminal(cover) : PA66 (UL94V-0) ( ET 7.62 )
- Item ㉓ Terminal screw : Steel Zinc plating " - " slot type ( ET 7.62 )
- Item ㉔ Clamp : Brass, Ni plated ( ET 7.62 )
- Item ㉕ Female contact : Copper. Tin plated

**Electrical**

- Voltage rating: 600VAC
- Current rating: 41A
- Solid wire (AWG): 8-24
- Stranded wire(AWG): 8-24
- Torque: 9.0 Lb-In
- Screw: M3.5
- Wire strip length: 10-11mm
- Withstanding Voltage: 1.6KV
- Operating temperature: -40°C to +115°C
- Safety Approval:
- Critical dimension:

**KT xx 0 1 x 0 xxxx G**

No. OF POLES  
 02: 2 POLES  
 ⋮  
 16: 16 POLES

G: Pb<40000ppm  
 0000: "@" Logo (Standard)  
 000A: "ANYTEK" Mark  
 Any special item by customer request. please contact sales department.

COLOR  
 0 Black (RAL9005)  
 5 Green(RAL6018/T)  
 6 Blue (RAL5015/A)  
 8 Grey(RAL7035/D)  
 C Green(RAL6018/U)

N = Number of poles

Dim.A	$N \times 7.62$
Dim.B	$(N-1) \times 7.62$

**Dimension**

Poles	Tolerance
2P-5P	±0.20
6P-10P	±0.30
11P-16P	±0.40

<b>ANYTEK</b>				<b>CUSTOMER COPY</b>			
ALL RIGHTS RESERVED. REPRODUCTION OR ISSUE TO THIRD PARTIES IN ANY FORM WHATSOEVER IS NOT PERMITTED WITHOUT WRITTEN AUTHORITY FROM THE PROPRIETOR. PROPERTY OF ANYTEK TECHNOLOGY CO., LTD							
TITLE		KT 7.62 Series 2P-16P " - " Screw ( Without Flange )					
PART NO.		KTxx01x0xxxxG		DWG NO.		8KT0001	
APPROVED		CHECKED	DESIGNED	DRAWN	CUST NO.		Tolerance
			Aaron 2011.10.18	Aaron 2011.10.18			X. ±0.50 X.X ±0.30 X.XX ±0.10 X° ±1°
				SHEET: 01/01		UNIT: mm	
						SCALE: NONE	
						REV.: B	