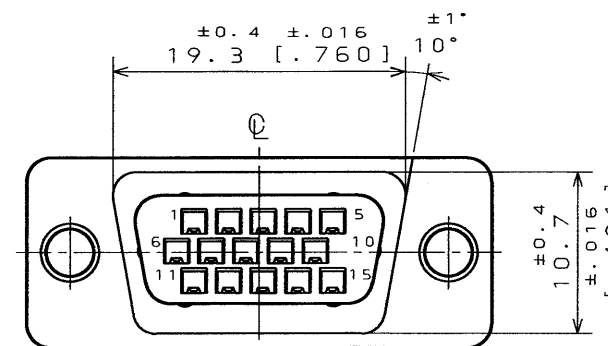
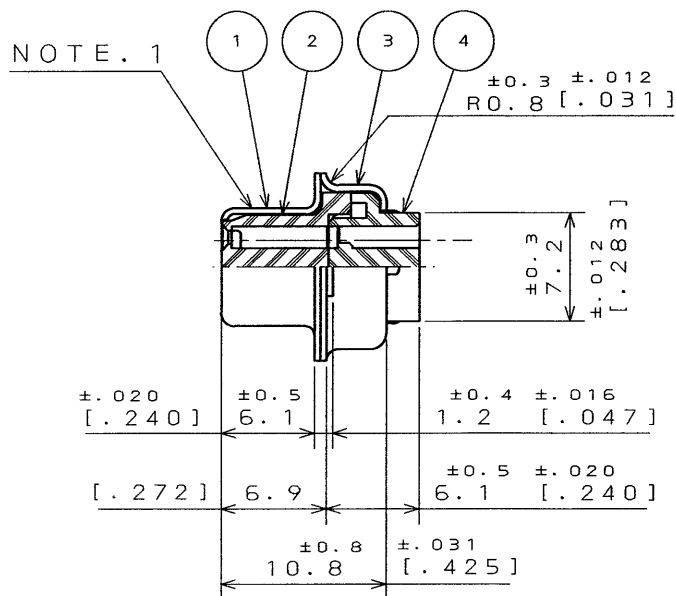
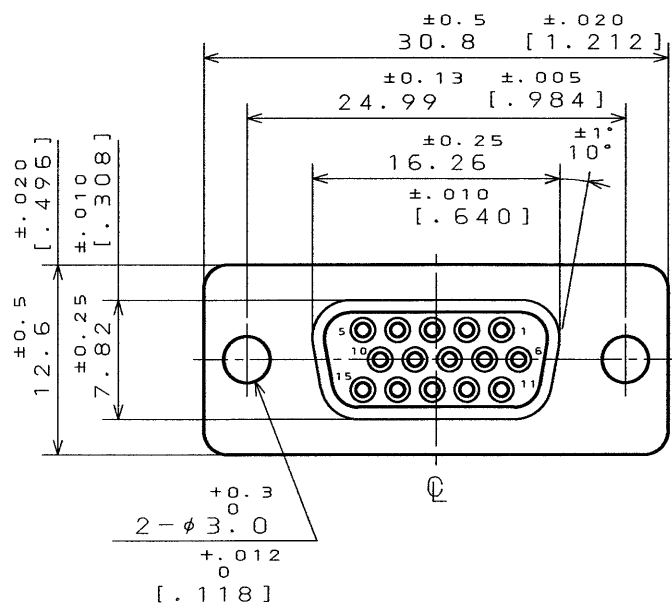


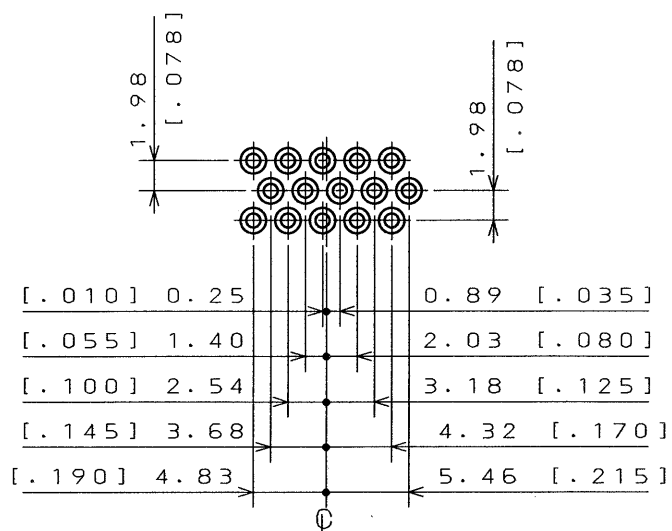
SJ023417-E

DWG. NO.

SYM.	DCN NO.	DESCRIPTION	DATE	DRAWN	CHECKED	APP'D	APP'D



- NOTE. 1. COMPANY LOGO "JAE" & "D02M15SG" AS INDICATED.
2. FOR PANEL CUTOUT DIMENTION, SEE DWG. NO. SJ013596.
3. CONTACTS ARE ORDERED SEPARATELY.



MATING LOCATION

ITEM	DESCRIPTION	Q'TY	MATERIAL	FINISH	REMARKS
4	REAR INSULATOR	1	GLASS FILLED NY	—	UL94V-0 (BLACK)
3	REAR SHELL	1	STEEL	TIN PLATING	
2	FRONT INSULATOR	1	GLASS FILLED NY	—	UL94V-0 (BLACK)
1	FRONT SHELL	1	STEEL	TIN PLATING	

REFERENCE DOCUMENT JACS-3050-2	DATE 16-AUG-91	SCALE 1	WT. —
MATERIAL	DRAWN E. MURANO (C. KITADA)	TITLE D02-M15SG-N-FO	
TREATMENT	CHECKED Y. HAYASHI Y. TAKEUCHI	APPROVAL Y. TAKEUCHI	
FINISH	APP'D Y. MURANO	SERIES D02-M	INDUSTRY, LTD.

DIMENSIONS ARE IN MILLIMETERS  
TOLERANCES ON: (INCHES)

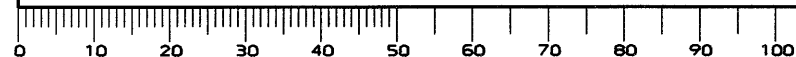
DIMENSION	TOLERANCE	ANGLES	CONCENTRICITY
. ±		X° ±	WITHIN T.I.R.
.X ±		X°X' ±	
.XX ±	0.1		
.XXX ±			

**JAE-CONNECTOR.COM**  
Reference Only

MUSASHINO, AKISHIMA-SHI  
TOKYO, JAPAN

DWG. NO.  
SJ023417-E

DCF-116A



SIZE A 6887