

MICRO SWITCH

SWITCH - ENCLOSED

CATALOG LISTING

51ML7

THIS DRAWING COVERS A PROPRIETARY ITEM AND IS THE PROPERTY OF MICRO SWITCH, A DIVISION OF HONEYWELL. THIS DRAWING IS NOT TO BE COPIED OR USED WITHOUT THE APPROVAL OF MICRO SWITCH

M

FED. MFR. CODE 91929

51ML7

M

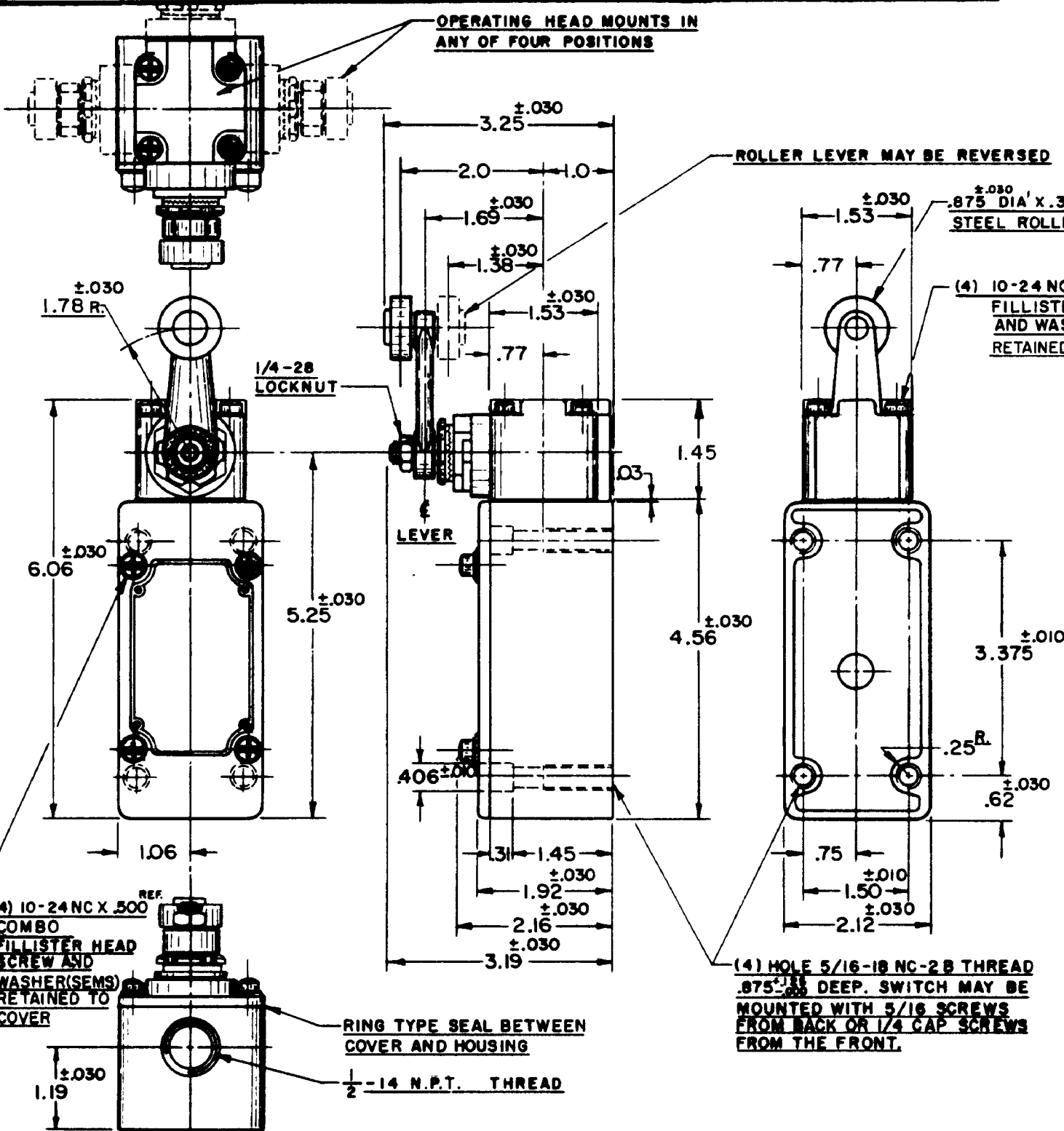
DRAWING NUMBER

ISSUE

REVISIONS

A	CO11247	O.M.W.	12 MAR 58
B	CO13487	M.B.F.	10 MAR 59
C	CO 4233	M.B.F.	30 DEC 59
D	CO18841	H.B.W.	20 JAN 65
E	CO 20578	M.B.F.	30 NOV 65
F	CO28121	S.R.H.	9 NOV 70
G	CO52194	G.J.W.	23 SEP 83
H	CO55051-8	J.A.P.	14 DEC 84
J	CO58909	Y.S.K.	23 JAN 86
K	CO74287	G.J.W.	16 APR 93

(M) 51ML7 ISSUE 3
 REPLACES
 CHECK K.F.M. 8 APR 58
 CHECK J.W.M. 10 APR 58
 CHECK G.C.N. 14 APR 58
 CHECK O.M.W. 12 MAR 58
 DRAWN



- NOTES
- IT IS ESSENTIAL TO PREVENT ENTRANCE OF HARMFUL AGENTS THRU THE CONDUIT OPENING TO OBTAIN THE FULL BENEFIT OF THE SEALED CONSTRUCTION PROVIDED IN THIS UNIT
 - SWITCH IS ASSEMBLED FOR ACTUATION IN EITHER DIRECTION
 - LEVER MAY BE POSITIVELY LOCKED AT INTERVALS OF APPROX 0.4° (870 POSITIONS)
 - LEVER MAY BE ADJUSTED TO ACTUATE THE SWITCH IN THE CLOCKWISE DIRECTION ONLY, THE COUNTER-CLOCKWISE DIRECTION ONLY, OR IN BOTH DIRECTIONS
 - TO CONVERT SWITCH FOR ACTUATION IN EITHER CLOCKWISE OR COUNTER-CLOCKWISE DIRECTION ONLY, REMOVE THE HEAD AND SLIDE THE CAM TOWARD THE REAR OF THE HEAD SUFFICIENTLY TO DISENGAGE FROM THE FLATS ON THE SHAFT. ROTATE THE CAM 90° IN THE OPPOSITE DIRECTION OF THE ACTUATION DESIRED AND RE-ENGAGE THE CAM WITH THE FLATS ON THE SHAFT
 - BASIC SWITCHING ELEMENT LISTED BY UNDERWRITERS LABORATORIES INC.

CHARACTERISTICS	ELECTRICAL DATA	SCALE 1/2 TO 1
OPERATING FORCE----- 3 LBS. MAX.	CONTACT ARRANGEMENT	DO NOT SCALE PRINT
FULL OVERTRAVEL FORCE----- 4 LBS. MAX.	D. P. D. T.	UNLESS OTHERWISE SPECIFIED
RELEASE FORCE----- 1/4 LB. MIN.	△ 10 A-125 OR 250 VAC 0.3 A-125 VDC, 0.15 A-250 VDC	DIMENSIONS ARE IN INCHES
PRETRAVEL----- ③----- 20° MAX.		TOLERANCES ARE:
DIFFERENTIAL TRAVEL----- ④----- 15° MAX.		ONE PLACE (.0) 2.000
OVERTRAVEL----- ⑤----- 50° MIN.		TWO PLACE (.00) 2.015
SWITCH-BASIC REPLACEMENT-DT-2R711-A7		THREE PLACE (.000) 2.000
		ANGLES 2
		WEIGHT