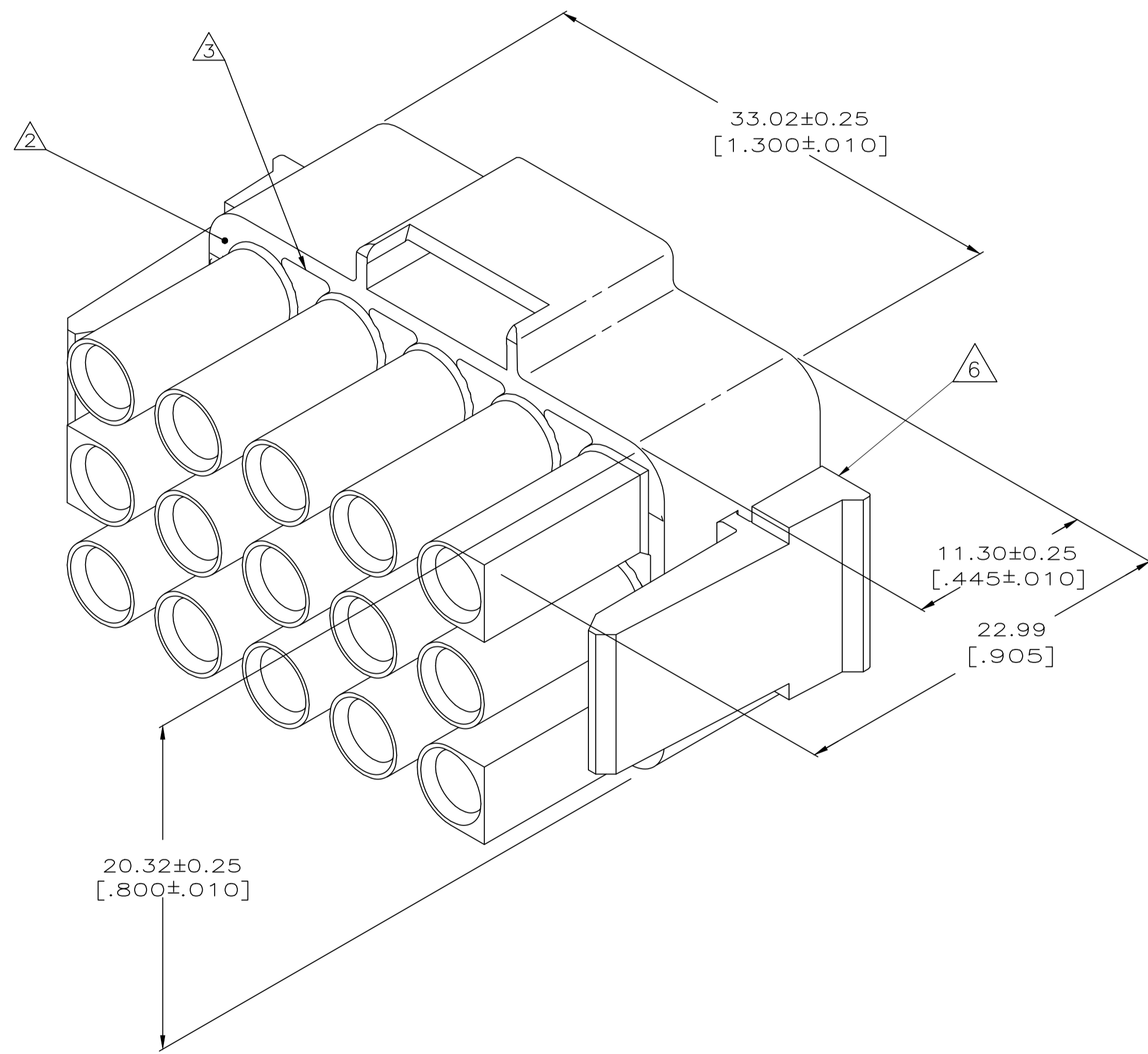


THIS DRAWING IS UNPUBLISHED. RELEASED FOR PUBLICATION. ALL RIGHTS RESERVED. © COPYRIGHT - TE Connectivity

REVISIONS					
P	LTR	DESCRIPTION	DATE	DWN	APVD
F2		REV. ECO 17-011267	13SEP2017	HC	KR

- MUST BE ASSEMBLED WITH PLUG REAR P/N 770044-1 BEFORE MATING. KIT P/N IS 770023-1.
- AMP LOGO LOCATED THIS SURFACE.
- NEW MOLD CONSTRUCTION PROVIDES MATERIAL REDUCTION CORING AT BASE OF SILOS WITH NO CORING AS OPTIONAL.
- DIMENSIONS SHOWN REPRESENT PRODUCT IN DRY, AS MOLDED, CONDITION. ADDITIONAL 2% GROWTH DUE TO SUBSEQUENT MOISTURE ABSORPTION MAY OCCUR AND SHOULD BE ACCOUNTED FOR.
- DIMENSIONS IN BRACKETS ARE IN INCHES.
- CSA CERTIFICATION LOGO LOCATED APPROXIMATELY AS SHOWN



770043-1 PART NUMBER

METRIC

THIS DRAWING IS A CONTROLLED DOCUMENT.		DWN K SALMON 1-15-92	TE Connectivity	
DIMENSIONS: INCHES		CHK R SWING 1-15-92	NAME	
TOLERANCES UNLESS OTHERWISE SPECIFIED:		APVD	PRODUCT SPEC	
0 PLC ± -			APPLICATION SPEC	
1 PLC ± -			WEIGHT 0	
2 PLC ± -			SIZE A1	
3 PLC ± 0.13 [.005]			CAGE CODE 00779	
4 PLC ± -			DRAWING NO 770043	
ANGLES ± -			RESTRICTED TO	
FINISH -			CUSTOMER DRAWING	
MATERIAL NYLON,UL94V-0,		SCALE 5:1		SHEET 1 OF 1
		REV F2		