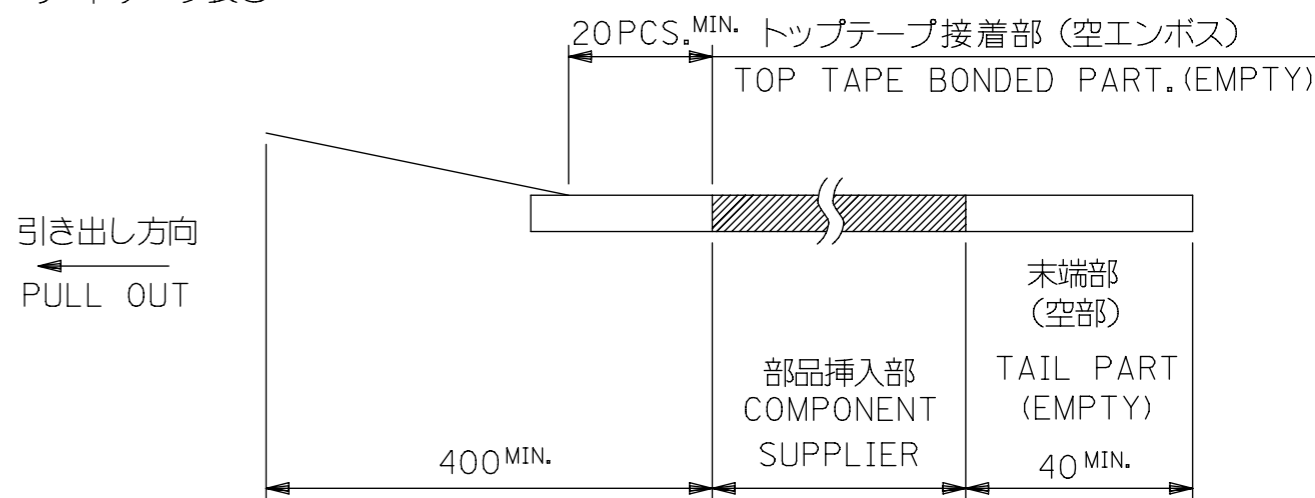


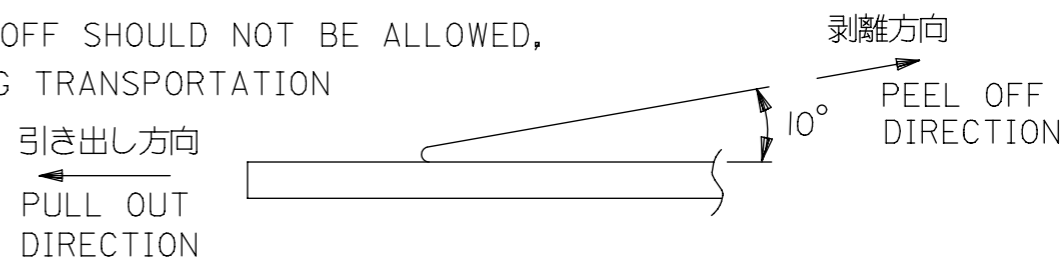
注記 NOTES

- 製品番号 52559-**-19 の梱包状態はアクチュエータがロックした状態とする。
IN THE PACKAGE, ACTUATOR OF PART NO.52559-**-19 SHOULD BE LOCKED
- 梱包数量：1000個/リール
NUMBER OF CONNECTORS:1000PCS/REEL
- リードテープ長さ LEAD TAPE LENGTH



- トップテープの剥離強度：(剥離方向は下図参照)
0.1~1.3N {10gf~130gf} 尚、本規格値は、出荷時に適用。
(但し、輸送時に剥離が発生しない事。)

PEELING OFF FORCE OF TOP TAPE
0.1~1.3N(10gf~130gf)(PEELING DIRECTION AS SHOWN IN FOLLOWING FIG.)
THIS REQUIREMENT SHOULD BE APPLIED AT SHIPMENT
PEEL OFF SHOULD NOT BE ALLOWED,
DURING TRANSPORTATION



- 材料
キャリアテープ：ポリプロピレン (PP)
トップテープ：PET, PE, PEF
リール：ポリスチレン (PS) <リサイクル材を含む>

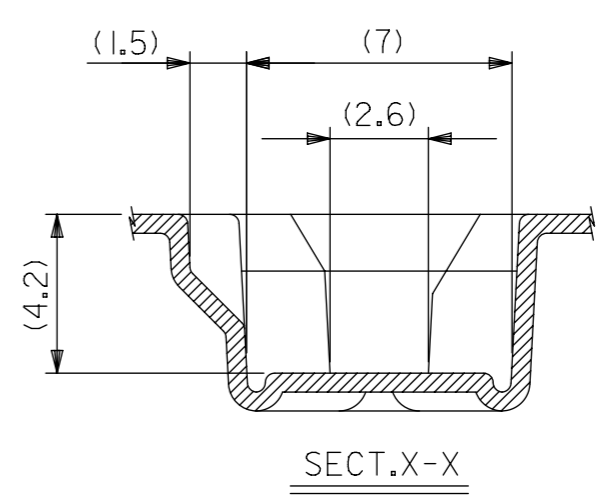
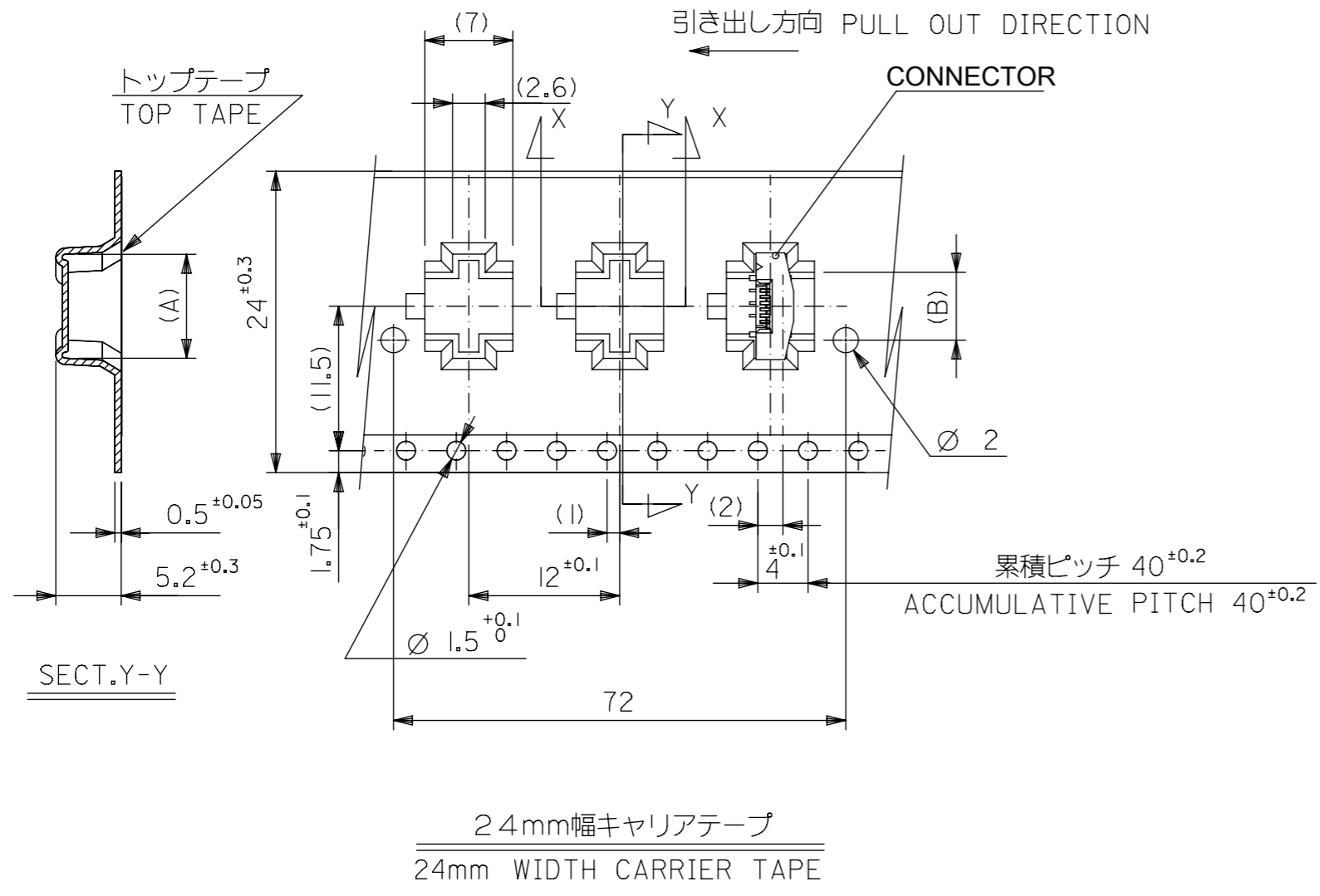
MATERIAL CARRIER TAPE:POLYPROPYLENE
TOP TAPE:PET,PE,PEF
REEL:POLYSTYREN(PS)
<RECYCLE MATERIAL CONTAINED>

- 本製品は 52559-**-92の鉛フリー品である。
THIS PRODUCT IS LEAD FREE OF 52559-**-92

- 本製品は乾燥剤入り、ハイバリア梱包仕様である。
THIS PRODUCT IS HIGH BARRIER PACKAGE WITH DESICCANT.

| | | | | | |
|---|-------|-------------------------------|--|--|--|
| THIS DRAWING CONTAINS INFORMATION THAT IS PROPRIETARY TO MOLEX ELECTRONIC TECHNOLOGIES, LLC AND SHOULD NOT BE USED WITHOUT WRITTEN PERMISSION | | CURRENT REV DESC: | | molex | |
| DIMENSION UNITS | SCALE | | | | |
| mm | NTS | | | 0.5 FPC CONN ASSY ZIF SMT ST EMBSTP PKG -LEAD FREE- | |
| GENERAL TOLERANCES (UNLESS SPECIFIED) | | EC NO: 745355 | | PRODUCT CUSTOMER DRAWING | |
| ANGULAR TOL ± ° | | DRWN: RAJMOK 2023/04/05 | | DOCUMENT NUMBER | |
| 4 PLACES ± | | CHK'D: HSHIMOYAMA 2023/04/07 | | SD-52559-028 | |
| 3 PLACES ± | | APPR: HSHIMOYAMA 2023/04/07 | | DOC TYPE | |
| 2 PLACES ± | | INITIAL REVISION: | | PSD | |
| 1 PLACE ± | | DRWN: HSHIMABUKURO 2004/01/07 | | DOC PART | |
| 0 PLACES ± | | APPR: MSASAO 2004/01/08 | | 001 | |
| DRAFT WHERE APPLICABLE MUST REMAIN WITHIN DIMENSIONS | | THIRD ANGLE PROJECTION | | REVISION | |
| | | DRAWING | | D | |
| | | SERIES | | SHEET NUMBER | |
| | | 52559 | | 1 OF 6 | |
| | | MATERIAL NUMBER | | CUSTOMER | |
| | | SEE TABLE | | GENERAL MARKET | |

| | |
|--|-------|
| GENERAL TOLERANCES (UNLESS SPECIFIED) | |
| 10 ^{UNDER} | ±0.2 |
| 10 ^{OVER} 30 ^{UNDER} | ±0.25 |
| 30 ^{OVER} | ±0.3 |
| ANGULAR | ±3° |

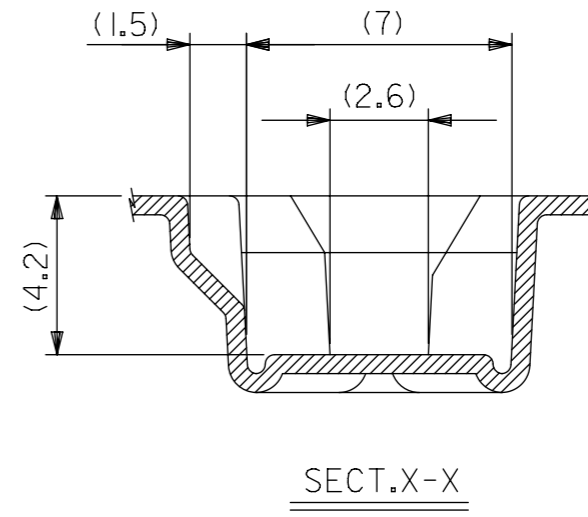
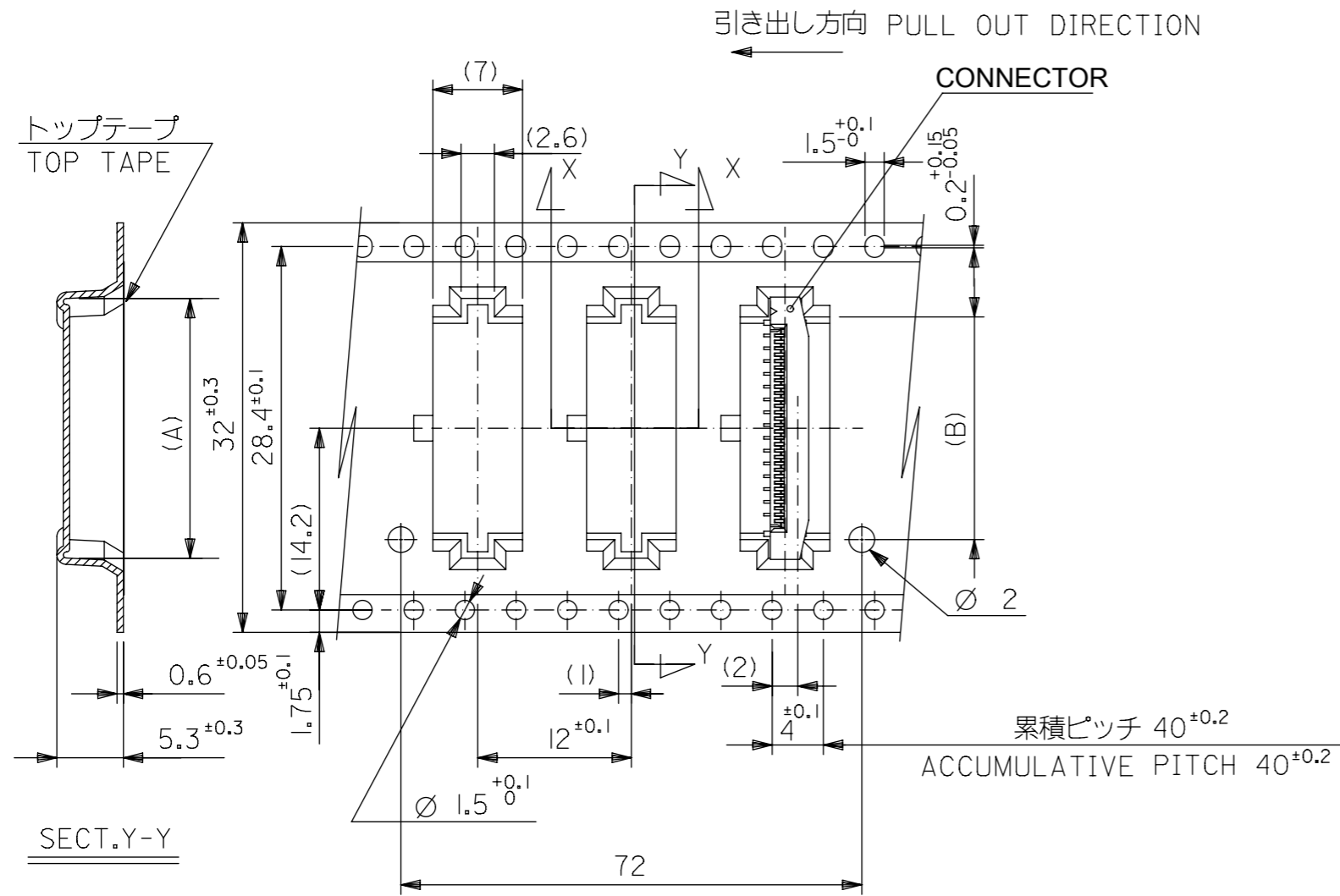


| | | | | | | | | |
|--------------------------------|------|------|------|------|------------|-----|--------------|-------------|
| 24 | 29.4 | 25.4 | 14.4 | 17.3 | 52559-2472 | 24 | | |
| | | | 13.9 | 16.8 | 52559-2372 | 23 | | |
| | | | 12.9 | 15.8 | 52559-2172 | 21 | | |
| | | | 12.4 | 15.3 | 52559-2072 | 20 | | |
| | | | 10.9 | 13.8 | 52559-1772 | 17 | | |
| | | | 10.4 | 13.3 | 52559-1672 | 16 | | |
| | | | 9.9 | 12.8 | 52559-1572 | 15 | | |
| | | | 9.4 | 12.3 | 52559-1472 | 14 | | |
| | | | 8.4 | 11.3 | 52559-1272 | 12 | | |
| | | | 7.4 | 10.3 | 52559-1072 | 10 | | |
| | | | 6.9 | 9.8 | 52559-0972 | 9 | | |
| | | | 5.4 | 8.3 | 52559-0672 | 6 | | |
| キャリアテープ幅 CARRIER TAPE WIDTH | | | D | C | (B) | (A) | MATERIAL NO. | CIRCUIT NO. |

THIS DRAWING CONTAINS INFORMATION THAT IS PROPRIETARY TO MOLEX ELECTRONIC TECHNOLOGIES, LLC AND SHOULD NOT BE USED WITHOUT WRITTEN PERMISSION

| | | | |
|--|-------|--|--|
| DIMENSION UNITS | SCALE | CURRENT REV DESC: | |
| mm | NTS | | |
| GENERAL TOLERANCES (UNLESS SPECIFIED) | | molex | |
| ANGULAR TOL ± ° | | 0.5 FPC CONN ASSY ZIF SMT ST EMBSTP PKG -LEAD FREE- | |
| 4 PLACES ± | | PRODUCT CUSTOMER DRAWING | |
| 3 PLACES ± | | DOCUMENT NUMBER | |
| 2 PLACES ± | | SD-52559-028 | |
| 1 PLACE ± | | DOC TYPE | |
| 0 PLACES ± | | PSD | |
| DRAFT WHERE APPLICABLE MUST REMAIN WITHIN DIMENSIONS | | DOC PART | |
| THIRD ANGLE PROJECTION | | 001 | |
| DRAWING | | REVISION | |
| A3-SIZE | | D | |
| SERIES | | SHEET NUMBER | |
| 52559 | | 2 OF 6 | |
| MATERIAL NUMBER | | CUSTOMER | |
| SEE TABLE | | GENERAL MARKET | |

| GENERAL TOLERANCES (UNLESS SPECIFIED) | |
|--|-------|
| 10 ^{UNDER} | ±0.2 |
| 10 ^{OVER} 30 ^{UNDER} | ±0.25 |
| 30 ^{OVER} | ±0.3 |
| ANGULAR | ±3 ° |



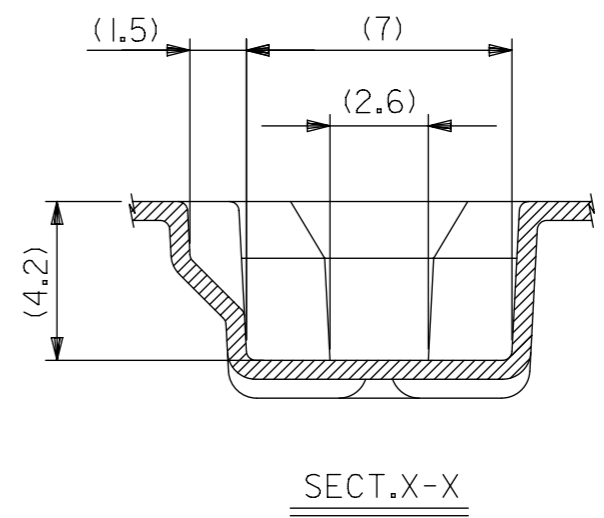
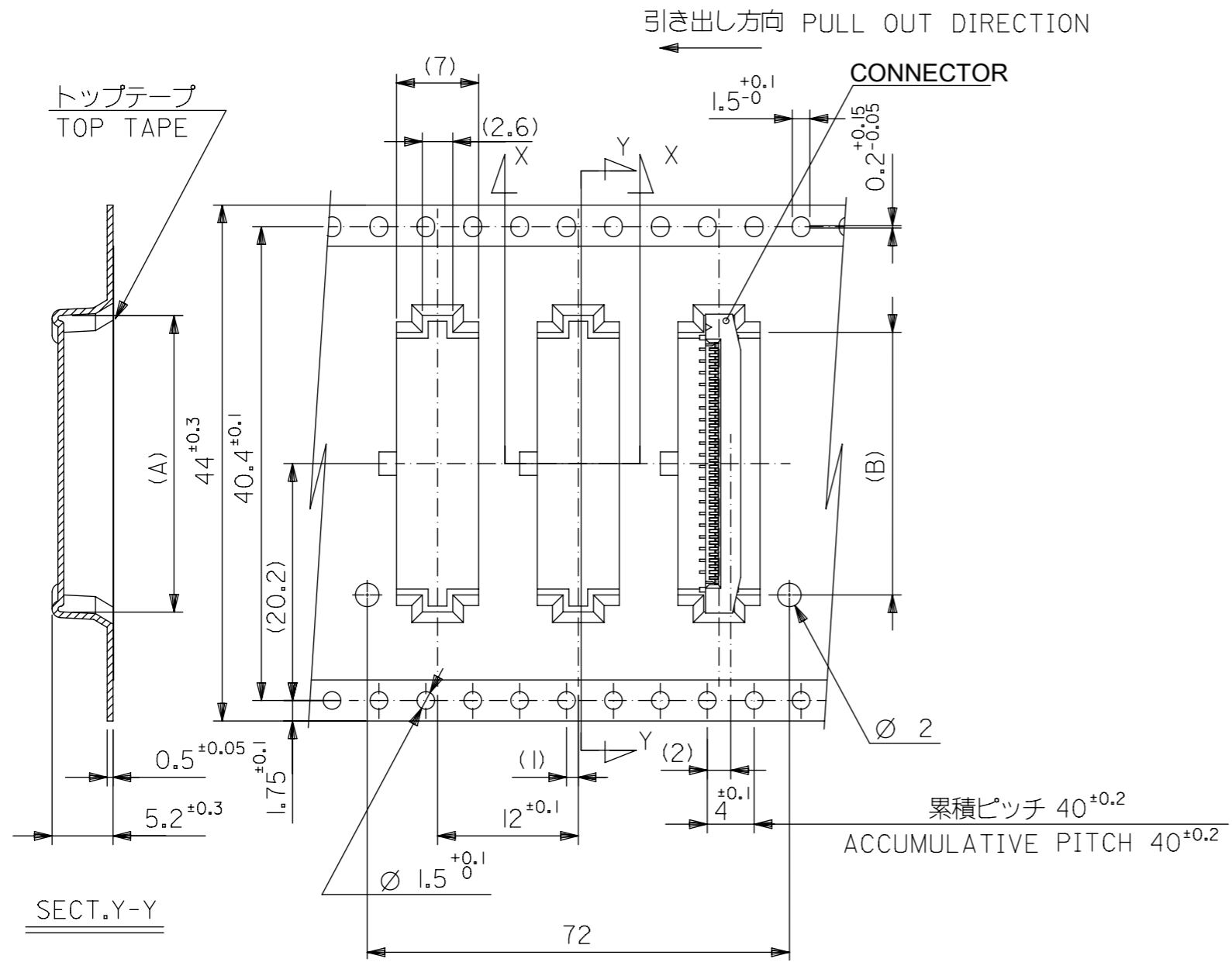
32mm幅キャリアテープ
32mm WIDTH CARRIER TAPE

| | | | | | | |
|--------------------------------|------|------|------|------|--------------|-------------|
| 32 | 37.4 | 33.4 | 18.4 | 21.3 | 52559-3272 | 32 |
| | | | 17.4 | 20.3 | 52559-3072 | 30 |
| | | | 16.4 | 19.3 | 52559-2872 | 28 |
| | | | 15.9 | 18.8 | 52559-2772 | 27 |
| | | | 15.4 | 18.3 | 52559-2672 | 26 |
| キャリアテープ幅 CARRIER TAPE WIDTH | D | C | (B) | (A) | MATERIAL NO. | CIRCUIT NO. |

THIS DRAWING CONTAINS INFORMATION THAT IS PROPRIETARY TO MOLEX ELECTRONIC TECHNOLOGIES, LLC AND SHOULD NOT BE USED WITHOUT WRITTEN PERMISSION

| | | | | | |
|--|--|------------|--|---|--|
| DIMENSION UNITS: mm | | SCALE: NTS | | CURRENT REV DESC: | |
| GENERAL TOLERANCES (UNLESS SPECIFIED) | | | | <p>0.5 FPC CONN ASSY ZIF SMT ST EMBSTP PKG - LEAD FREE-</p> <p>PRODUCT CUSTOMER DRAWING</p> | |
| ANGULAR TOL ± ° | | | | | |
| 4 PLACES ± | | | | | |
| 3 PLACES ± | | | | | |
| 2 PLACES ± | | | | | |
| 1 PLACE ± | | | | EC NO: 745355 | |
| 0 PLACES ± | | | | DRWN: RAJMOK 2023/04/05 | |
| DRAFT WHERE APPLICABLE MUST REMAIN WITHIN DIMENSIONS | | | | CHK'D: HSHIMOYAMA 2023/04/07 | |
| THIRD ANGLE PROJECTION | | | | APPR: HSHIMOYAMA 2023/04/07 | |
| DRAWING | | | | INITIAL REVISION: | |
| SERIES | | | | DRWN: HSHIMABUKURO 2004/01/07 | |
| MATERIAL NUMBER | | | | APPR: MSASAO 2004/01/08 | |
| CUSTOMER | | | | DOCUMENT NUMBER | |
| SHEET NUMBER | | | | SD-52559-028 | |
| SEE TABLE | | | | DOC TYPE | |
| GENERAL MARKET | | | | PSD | |
| 3 OF 6 | | | | DOC PART | |
| | | | | 001 | |
| | | | | REVISION | |
| | | | | D | |

| GENERAL TOLERANCES (UNLESS SPECIFIED) | |
|--|-------|
| 10 ^{UNDER} | ±0.2 |
| 10 ^{OVER} 30 ^{UNDER} | ±0.25 |
| 30 ^{OVER} | ±0.3 |
| ANGULAR | ±3 ° |



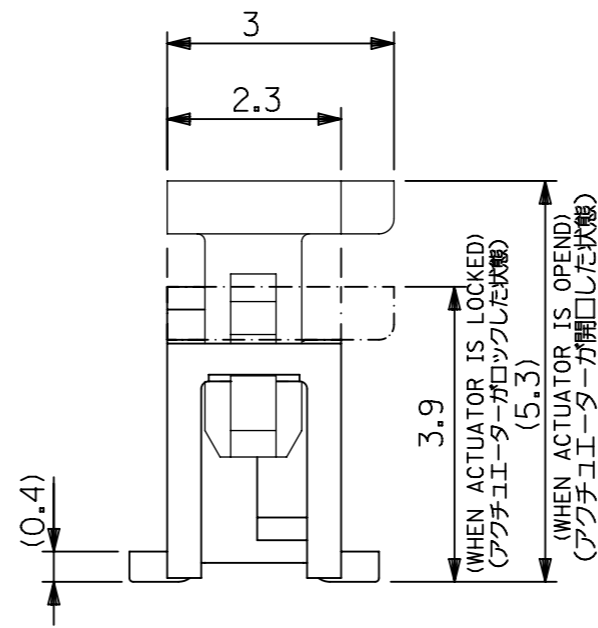
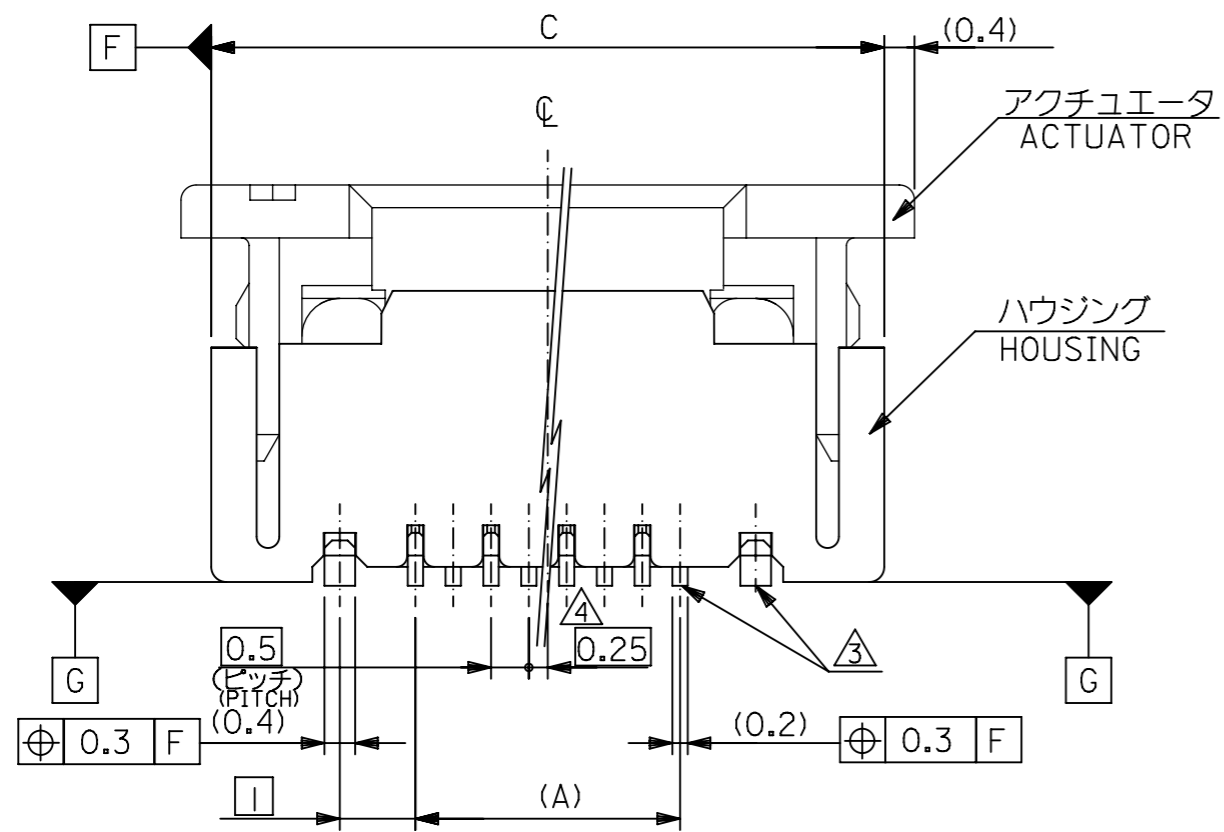
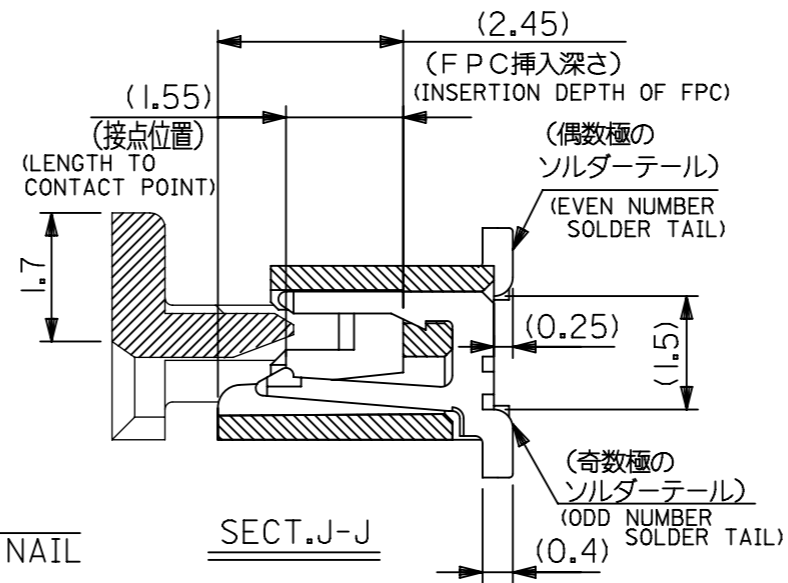
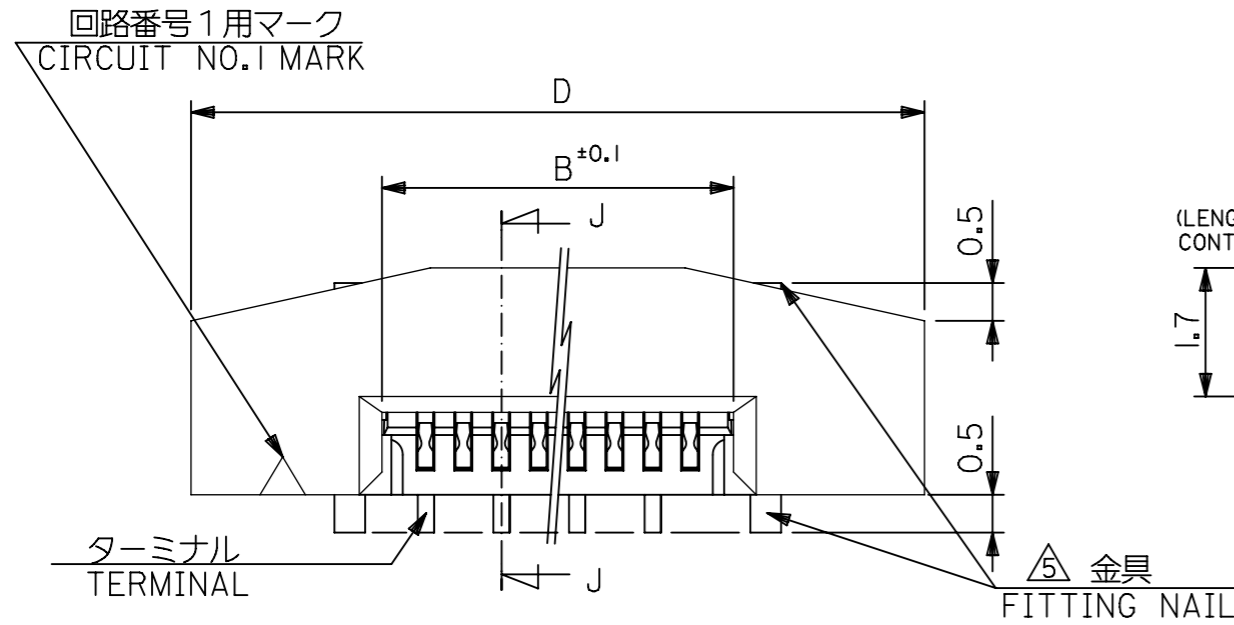
44mm幅キャリアテープ
44mm WIDTH CARRIER TAPE

| | | | | | | |
|--------------------------------|------|------|------|------|--------------|-------------|
| 44 | 49.4 | 45.4 | 22.4 | 25.3 | 52559-4072 | 40 |
| | | | 20.4 | 23.3 | 52559-3672 | 36 |
| キャリアテープ幅 CARRIER TAPE WIDTH | D | C | (B) | (A) | MATERIAL NO. | CIRCUIT NO. |

THIS DRAWING CONTAINS INFORMATION THAT IS PROPRIETARY TO MOLEX ELECTRONIC TECHNOLOGIES, LLC AND SHOULD NOT BE USED WITHOUT WRITTEN PERMISSION

| | | | | | | |
|--|-------|-------------------|--|--|--|--|
| DIMENSION UNITS | SCALE | CURRENT REV DESC: | molex | | | |
| mm | NTS | | 0.5 FPC CONN ASSY ZIF SMT ST EMBSTP PKG -LEAD FREE- | | | |
| GENERAL TOLERANCES (UNLESS SPECIFIED) | | | PRODUCT CUSTOMER DRAWING | | | |
| ANGULAR TOL | ± | ° | DOCUMENT NUMBER | | | |
| 4 PLACES | ± | | SD-52559-028 | | | |
| 3 PLACES | ± | | DOC TYPE | | | |
| 2 PLACES | ± | | PSD | | | |
| 1 PLACE | ± | | DOC PART | | | |
| 0 PLACES | ± | | 001 | | | |
| DRAFT WHERE APPLICABLE MUST REMAIN WITHIN DIMENSIONS | | | REVISION | | | |
| THIRD ANGLE PROJECTION | | | D | | | |
| DRAWING | | | SERIES | | | |
| A3-SIZE | | | 52559 | | | |
| MATERIAL NUMBER | | | CUSTOMER | | | |
| SEE TABLE | | | GENERAL MARKET | | | |
| SHEET NUMBER | | | 4 OF 6 | | | |

| | |
|--|-------|
| GENERAL TOLERANCES (UNLESS SPECIFIED) | |
| 10 ^{UNDER} | ±0.2 |
| 10 ^{OVER} 30 ^{UNDER} | ±0.25 |
| 30 ^{OVER} | ±0.3 |
| ANGULAR | ±3 ° |



| | | | | | |
|------|------|-------|------|--------------|----------|
| 25.7 | 24.9 | 20.65 | 19.5 | 52559-4072 | 40 |
| 23.7 | 22.9 | 18.65 | 17.5 | -3672 | 36 |
| 21.7 | 20.9 | 16.65 | 15.5 | -3272 | 32 |
| 20.7 | 19.9 | 15.65 | 14.5 | -3072 | 30 |
| 19.7 | 18.9 | 14.65 | 13.5 | -2872 | 28 |
| 19.2 | 18.4 | 14.15 | 13.0 | -2772 | 27 |
| 18.7 | 17.9 | 13.65 | 12.5 | -2672 | 26 |
| 17.7 | 16.9 | 12.65 | 11.5 | -2472 | 24 |
| 17.2 | 16.4 | 12.15 | 11.0 | -2372 | 23 |
| 16.2 | 15.4 | 11.15 | 10.0 | -2172 | 21 |
| 15.7 | 14.9 | 10.65 | 9.5 | -2072 | 20 |
| 14.2 | 13.4 | 9.15 | 8.0 | -1772 | 17 |
| 13.7 | 12.9 | 8.65 | 7.5 | -1672 | 16 |
| 13.2 | 12.4 | 8.15 | 7.0 | -1572 | 15 |
| 12.7 | 11.9 | 7.65 | 6.5 | -1472 | 14 |
| 11.7 | 10.9 | 6.65 | 5.5 | -1272 | 12 |
| 10.7 | 9.9 | 5.65 | 4.5 | -1072 | 10 |
| 10.2 | 9.4 | 5.15 | 4.0 | -0972 | 9 |
| 8.7 | 7.9 | 3.65 | 2.5 | 52559-0672 | 6 |
| D | C | B | (A) | MATERIAL NO. | 極数 (PKT) |

THIS DRAWING CONTAINS INFORMATION THAT IS PROPRIETARY TO MOLEX ELECTRONIC TECHNOLOGIES, LLC AND SHOULD NOT BE USED WITHOUT WRITTEN PERMISSION

mm NTS

GENERAL TOLERANCES (UNLESS SPECIFIED)

ANGULAR TOL ± °

4 PLACES ±

3 PLACES ±

2 PLACES ±

1 PLACE ±

1 PLACES ±

DRAFT WHERE APPLICABLE MUST REMAIN WITHIN DIMENSIONS

THIRD ANGLE PROJECTION

DRAWING A3-SIZE

SERIES 52559

MATERIAL NUMBER SEE TABLE

CUSTOMER GENERAL MARKET

SHEET NUMBER 5 OF 6

EC NO: 745355

DRWN: RAJMOK 2023/04/05

CHK'D: HSHIMOYAMA 2023/04/07

APPR: HSHIMOYAMA 2023/04/07

INITIAL REVISION:

DRWN: HSHIMABUKURO 2004/01/07

APPR: MSASAO 2004/01/08

DOCUMENT NUMBER SD-52559-028

DOC TYPE PSD

DOC PART 001

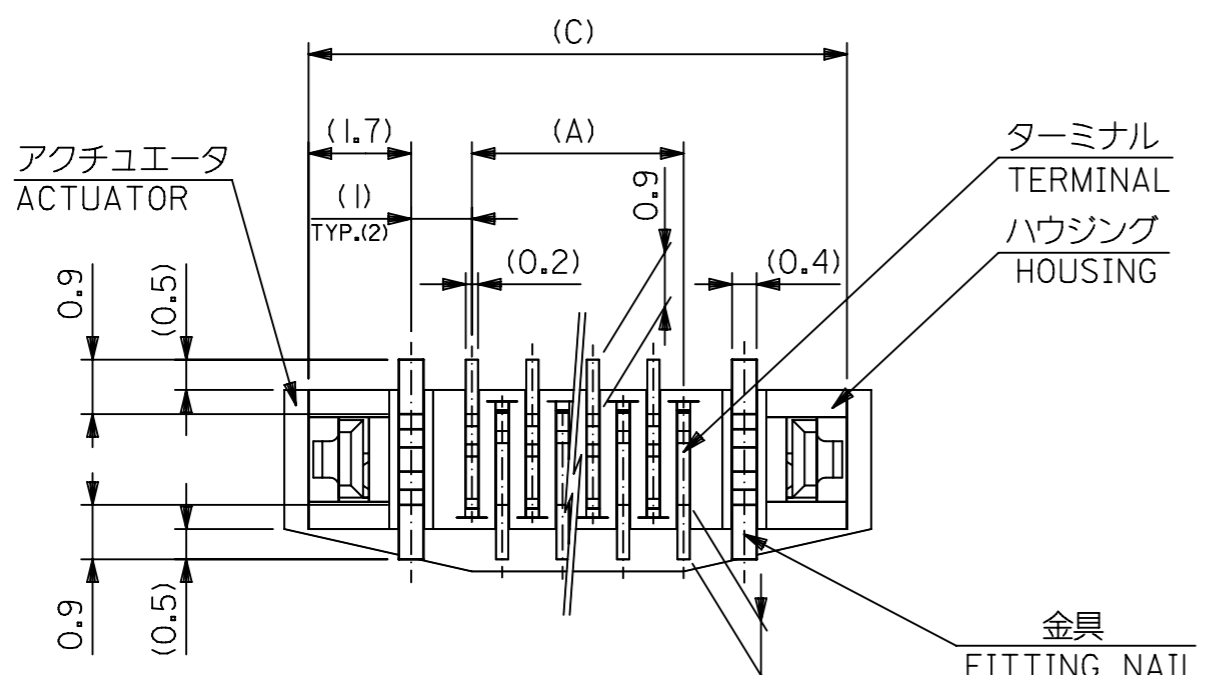
REVISION D

PRODUCT CUSTOMER DRAWING

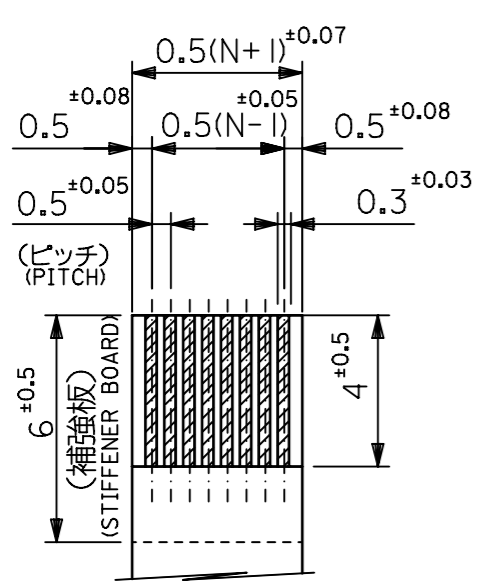
0.5 FPC CONN ASSY ZIF SMT ST EMBSTP PKG -LEAD FREE-

GENERAL TOLERANCES (UNLESS SPECIFIED)

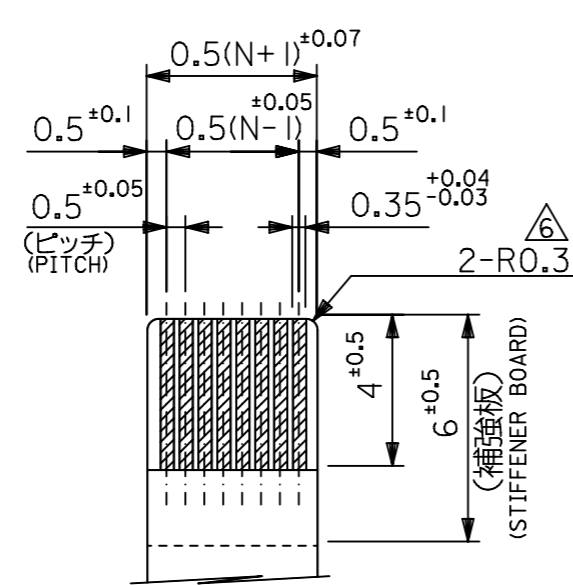
| | |
|--|-------|
| 10 ^{UNDER} | ±0.2 |
| 10 ^{OVER} 30 ^{UNDER} | ±0.25 |
| 30 ^{OVER} | ±0.3 |
| ANGULAR | ±3 ° |



下面図
BOTTOM VIEW



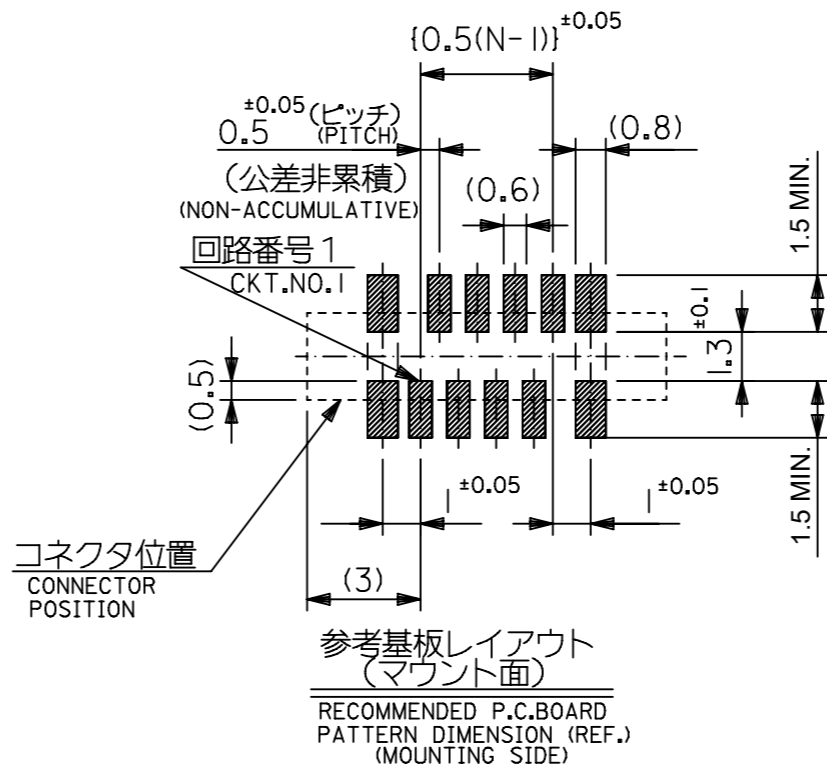
適合 FFC 推奨寸法
APPLICABLE FFC
RECOMMENDED DIMENSION.
(仕上がり厚さ: 0.3 ± 0.05)
(THICKNESS: 0.3 ± 0.05)



適合 FPC 推奨寸法
APPLICABLE FPC
RECOMMENDED DIMENSION.
(仕上がり厚さ: 0.3 ± 0.05)
(THICKNESS: 0.3 ± 0.05)

FPCについて:
打抜き方向は導体側から補強板側を推奨致します。
補強フィルム材質はポリイミドを推奨致します。
接着剤は熱硬化接着剤を推奨致します。

ABOUT FPC:
RECOMMENDED PUNCHER DIRECTION: FROM CONDUCTOR SIDE TO STIFFENER BOARD SIDE.
RECOMMENDED MATERIAL:
STIFFENER FILM: POLYIMIDE
BONDING AGENT: THERMOSETTING BONDING AGENT

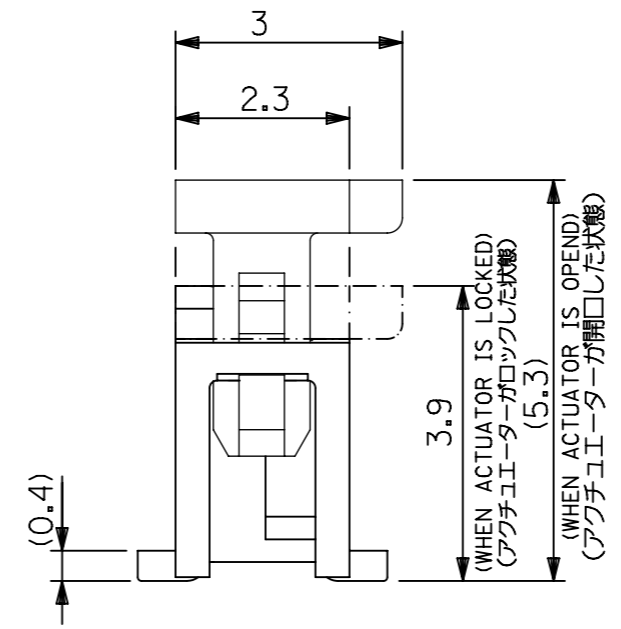
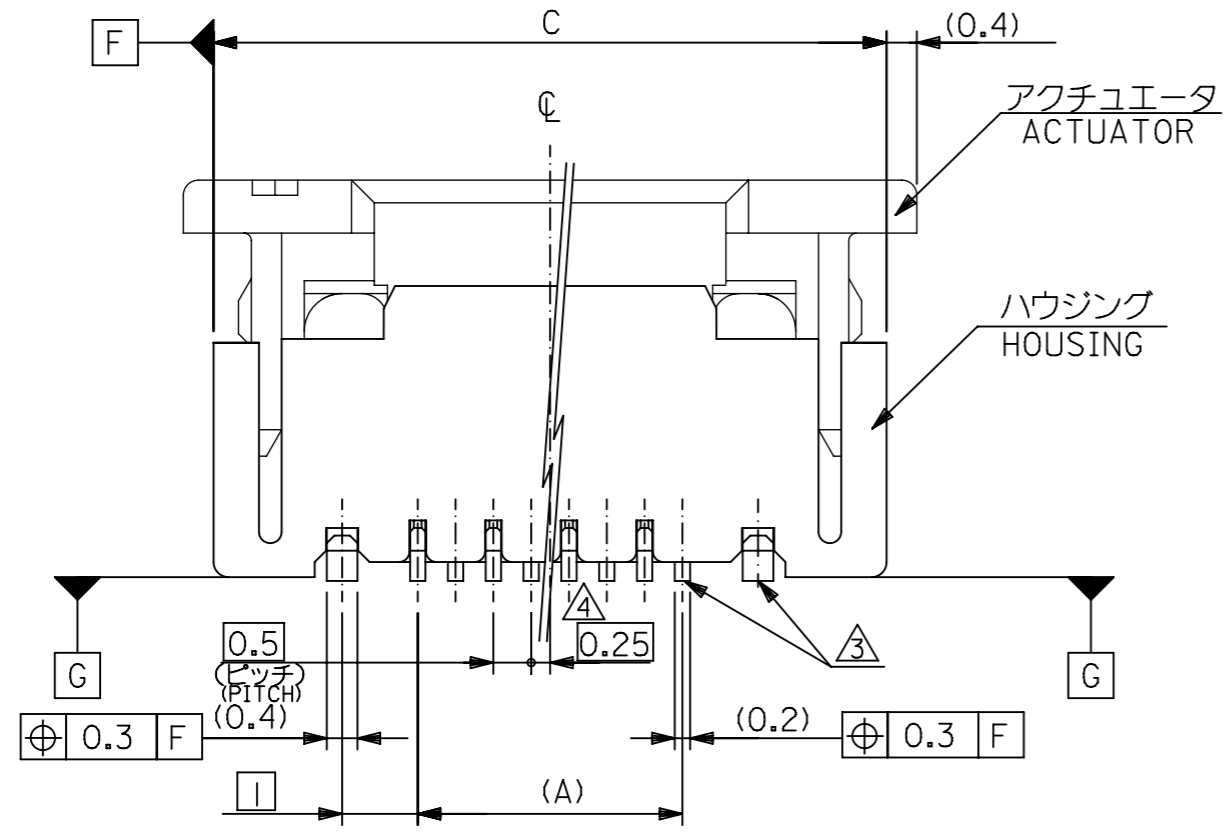
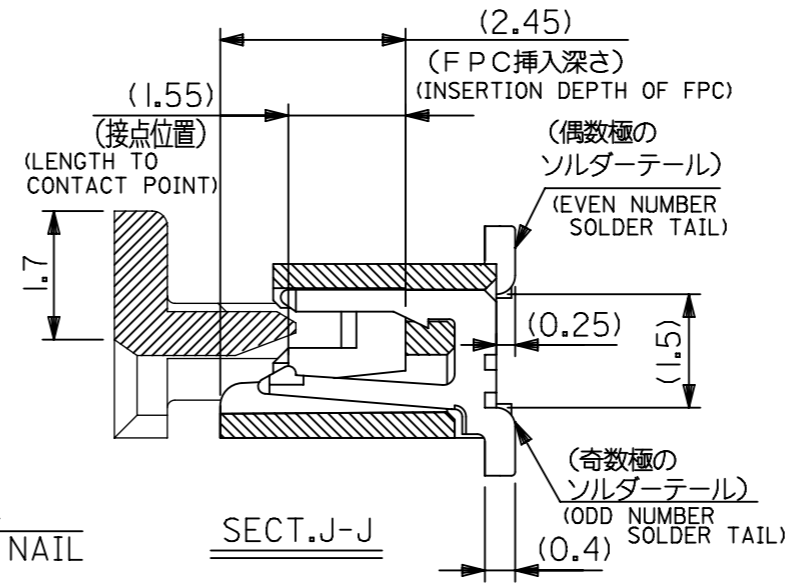
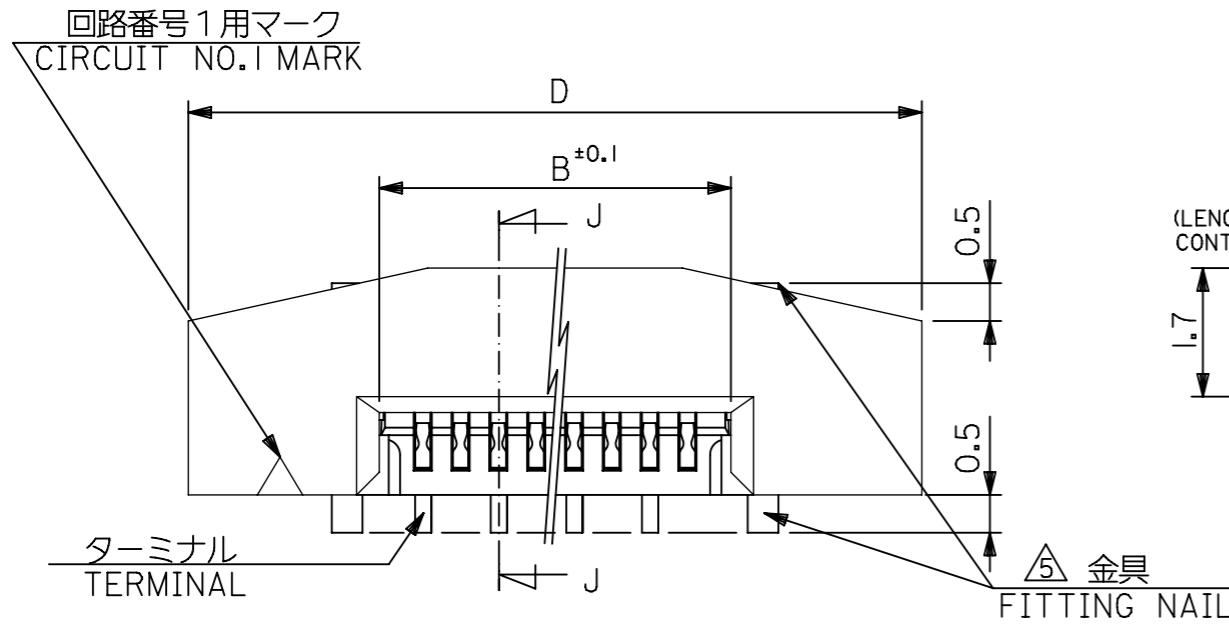


注記 NOTES

- 使用材料: MATERIAL
ハウジング HOUSING : 46NYLON UL94V-0
アクチュエータ ACTUATOR : PPS UL94V-0
ターミナル TERMINAL : リン青銅 (t=0.2) PHOS-BRO
: 錫ビスマスメッキ 1.0マイクロメートル以上 TIN-BISMUTH 1.0 MICROMETER MINIMUM
: ニッケル下地 1.0マイクロメートル以上 NICKEL(UNDER PLATING) 1.0 MICROMETER MINIMUM
金具 FITTING NAIL : リン青銅 (t=0.4) PHOS-BRO
: 錫メッキ 1.0マイクロメートル以上 TIN 1.0 MICROMETER MINIMUM
: ニッケル下地 1.0マイクロメートル以上 NICKEL(UNDER PLATING) 1.0 MICROMETER MINIMUM
- エンボステープ梱包時は、アクチュエータがロックした状態とする。
IN THE PACKAGE, ACTUATOR OF PART NO.52559-***19 SHOULD BE LOCKED.
- △ ソルダータール半田付け面のスレ量、及び金具半田付け面のスレ量は、基準面 G に対し上方向 0.05 MAX. , 下方向 0.15 MAX. とする。
MISALIGNMENT OF SOLDER TAILS AND FITTING NAILS FROM G
UPPER DIRECTION: 0.05 MAX. , LOWER DIRECTION: 0.15 MAX.
- △ 偶数極に適用。
APPLY FOR EVEN CIRCUIT.
- △ パターンはくり止め用金具。
FITTING NAIL FOR PREVENTION OF PEELING OF P.C.B. PATTERN.
- △ R0.3は、FPCの導体部にかからないこと。
R0.3 MUST NOT BE OVERLAPPED TO PATTERN OF FPC.
- 本製品は 52559-***17 の鉛フリー品である。
THIS PRODUCT IS LEAD FREE OF 52559-***17

| | | | | | |
|---|-------|---------------------------------------|--|--|--|
| THIS DRAWING CONTAINS INFORMATION THAT IS PROPRIETARY TO MOLEX ELECTRONIC TECHNOLOGIES, LLC AND SHOULD NOT BE USED WITHOUT WRITTEN PERMISSION | | CURRENT REV DESC: | | molex | |
| DIMENSION UNITS | SCALE | | | | |
| mm | NTS | | | 0.5 FPC CONN ASSY ZIF SMT ST EMBSTP PKG -LEAD FREE- | |
| GENERAL TOLERANCES (UNLESS SPECIFIED) | | GENERAL TOLERANCES (UNLESS SPECIFIED) | | PRODUCT CUSTOMER DRAWING | |
| ANGULAR TOL ± ° | | ANGULAR TOL ± ° | | DOCUMENT NUMBER | |
| 4 PLACES ± | | 4 PLACES ± | | SD-52559-028 | |
| 3 PLACES ± | | 3 PLACES ± | | DOC TYPE | |
| 2 PLACES ± | | 2 PLACES ± | | PSD | |
| 1 PLACE ± | | 1 PLACE ± | | DOC PART | |
| 0 PLACES ± | | 0 PLACES ± | | 001 | |
| DRAFT WHERE APPLICABLE MUST REMAIN WITHIN DIMENSIONS | | THIRD ANGLE PROJECTION | | REVISION | |
| | | DRAWING | | D | |
| | | SERIES | | SHEET NUMBER | |
| | | A3-SIZE | | 6 OF 6 | |
| | | 52559 | | | |
| | | MATERIAL NUMBER | | CUSTOMER | |
| | | SEE TABLE | | GENERAL MARKET | |

| | |
|--|-------|
| GENERAL TOLERANCES (UNLESS SPECIFIED) | |
| 10 ^{UNDER} | ±0.2 |
| 10 ^{OVER} 30 ^{UNDER} | ±0.25 |
| 30 ^{OVER} | ±0.3 |
| ANGULAR | ±3° |

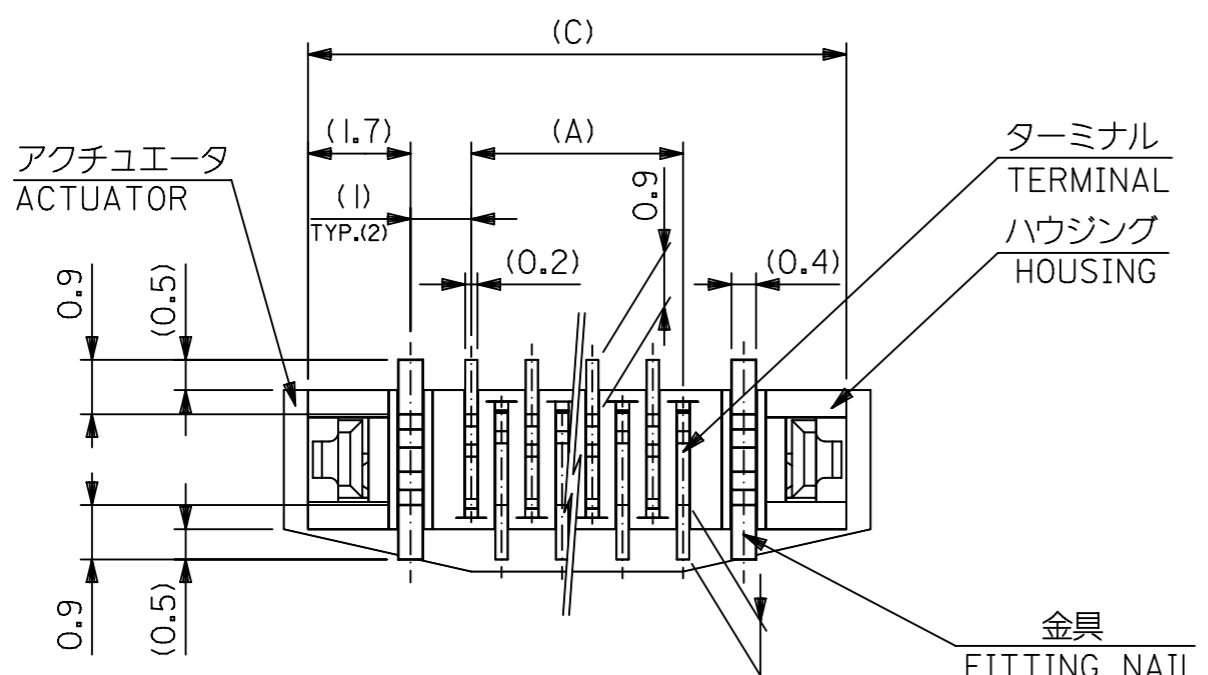


注記 NOTES

- 使用材料 : MATERIAL
 ハウジング : 46NYLON UL94V-0
 アクチュエータ : PPS UL94V-0
 ターミナル : リン青銅 (t=0.2) PHOS-BRO
 : 錫ビスマスマッキ 1.0マイクロメートル以上 TIN-BISMUTH 1.0 MICROMETER MINIMUM
 : ニッケル下地 1.0マイクロメートル以上 NICKEL(UNDER PLATING) 1.0 MICROMETER MINIMUM
 金具 : リン青銅 (t=0.4) PHOS-BRO
 : 錫メッキ 1.0マイクロメートル以上 TIN 1.0 MICROMETER MINIMUM
 : ニッケル下地 1.0マイクロメートル以上 NICKEL(UNDER PLATING) 1.0 MICROMETER MINIMUM
- エンボスステップ梱包時は、アクチュエータがロックした状態とする。
 IN THE PACKAGE, ACTUATOR OF PART NO.52559-***19 SHOULD BE LOCKED.
- △ ソルダーテール半田付け面のズレ量、及び金具半田付け面のズレ量は、基準面 G に対し上方向 0.05 MAX. , 下方向 0.15 MAX. とする。
 MISALIGNMENT OF SOLDER TAILS AND FITTING NAILS FROM G UPPER DIRECTION: 0.05 MAX. , LOWER DIRECTION: 0.15 MAX.
- △ 偶数極に適用。
 APPLY FOR EVEN CIRCUIT.
- △ パターンはくり止め用金具。
 FITTING NAIL FOR PREVENTION OF PEELING OF P.C.B. PATTERN.
- △ R0.3は、FPCの導体部にかからないこと。
 R0.3 MUST NOT BE OVERLAPPED TO PATTERN OF FPC.
- 本製品は 52559-***17 の鉛フリー品である。
 THIS PRODUCT IS LEAD FREE OF 52559-***17

| | | | | | |
|---|-------|---------------------------------------|---------|---|-----------------|
| THIS DRAWING CONTAINS INFORMATION THAT IS PROPRIETARY TO MOLEX ELECTRONIC TECHNOLOGIES, LLC AND SHOULD NOT BE USED WITHOUT WRITTEN PERMISSION | | CURRENT REV DESC: | | molex | |
| DIMENSION UNITS | SCALE | | | | |
| mm | NTS | | | 0.5 FPC CONN ZIF FOR SMT S/T SHEET 1 OF 2 - LEAD FREE- | |
| GENERAL TOLERANCES (UNLESS SPECIFIED) | | GENERAL TOLERANCES (UNLESS SPECIFIED) | | PRODUCT CUSTOMER DRAWING | |
| ANGULAR TOL | ± ° | 4 PLACES | ± | DOCUMENT NUMBER | |
| 3 PLACES | ± | 3 PLACES | ± | DOC TYPE | |
| 2 PLACES | ± | 2 PLACES | ± | DOC PART | |
| 1 PLACE | ± | 1 PLACE | ± | REVISION | |
| 0 PLACES | ± | 0 PLACES | ± | SD-52559-045 | |
| DRAFT WHERE APPLICABLE MUST REMAIN WITHIN DIMENSIONS | | THIRD ANGLE PROJECTION | DRAWING | SERIES | MATERIAL NUMBER |
| | | ⊕ | A3-SIZE | 52559 | CUSTOMER |
| | | | | SEE CHART | GENERAL MARKET |
| | | | | SHEET NUMBER | |
| | | | | 1 OF 2 | |

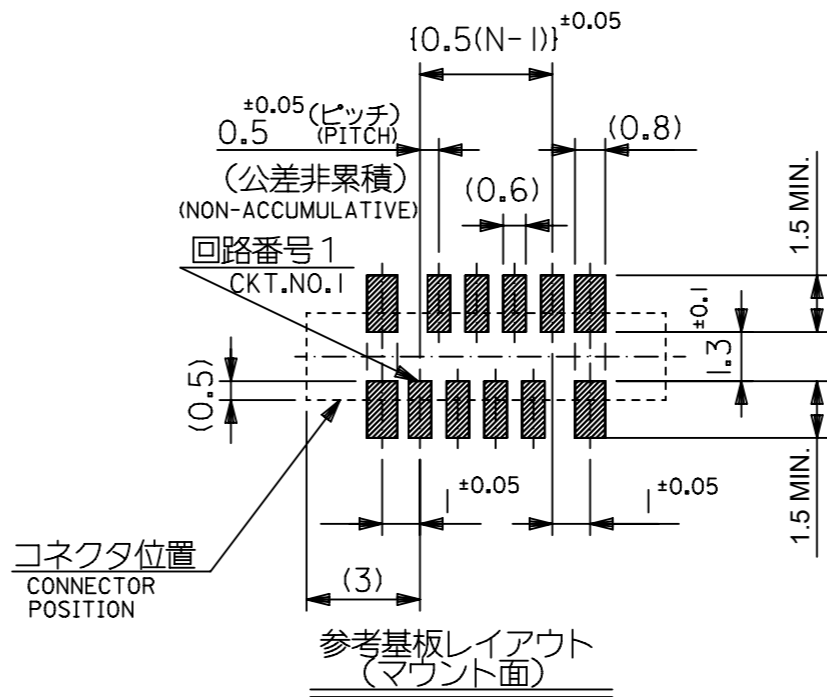
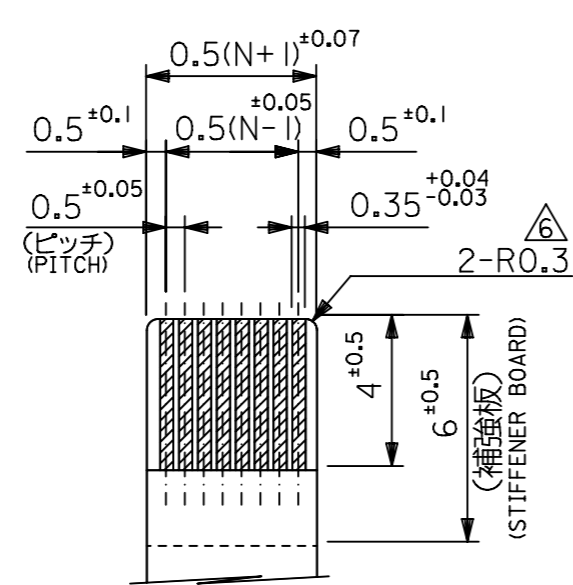
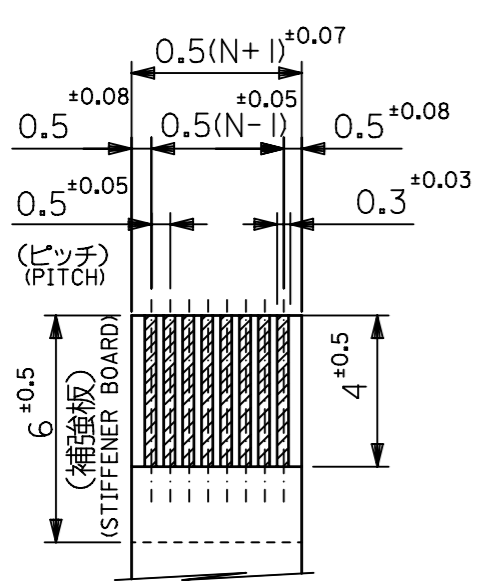
| | |
|--|-------|
| GENERAL TOLERANCES (UNLESS SPECIFIED) | |
| 10 ^{UNDER} | ±0.2 |
| 10 ^{OVER} 30 ^{UNDER} | ±0.25 |
| 30 ^{OVER} | ±0.3 |
| ANGULAR | ±3 ° |



FPCについて：
 打抜き方向は導体側から補強板側を推奨致します。
 補強フィルム材質はポリイミドを推奨致します。
 接着剤は熱硬化接着剤を推奨致します。

ABOUT FPC :
 RECOMMENDED PUNCHER DIRECTION : FROM CONDUCTOR SIDE TO STIFFENER BOARD SIDE.
 RECOMMENDED MATERIAL :
 STIFFENER FILM : POLYIMIDE
 BONDING AGENT : THERMOSETTING BONDING AGENT

下面図
BOTTOM VIEW



| | | | | | | |
|------|------|-------|------|--------------|----|----|
| 25.7 | 24.9 | 20.65 | 19.5 | 52559-40 | 19 | 40 |
| 23.7 | 22.9 | 18.65 | 17.5 | -36 | 19 | 36 |
| 22.2 | 21.4 | 17.15 | 16.0 | -33 | 19 | 33 |
| 21.7 | 20.9 | 16.65 | 15.5 | -32 | 19 | 32 |
| 20.7 | 19.9 | 15.65 | 14.5 | -30 | 19 | 30 |
| 19.7 | 18.9 | 14.65 | 13.5 | -28 | 19 | 28 |
| 19.2 | 18.4 | 14.15 | 13.0 | -27 | 19 | 27 |
| 18.7 | 17.9 | 13.65 | 12.5 | -26 | 19 | 26 |
| 18.2 | 17.4 | 13.15 | 12.0 | -25 | 19 | 25 |
| 17.7 | 16.9 | 12.65 | 11.5 | -24 | 19 | 24 |
| 17.2 | 16.4 | 12.15 | 11.0 | -23 | 19 | 23 |
| 16.7 | 15.9 | 11.65 | 10.5 | -22 | 19 | 22 |
| 16.2 | 15.4 | 11.15 | 10.0 | -21 | 19 | 21 |
| 15.7 | 14.9 | 10.65 | 9.5 | -20 | 19 | 20 |
| 14.7 | 13.9 | 9.65 | 8.5 | -18 | 19 | 18 |
| 14.2 | 13.4 | 9.15 | 8.0 | -17 | 19 | 17 |
| 13.7 | 12.9 | 8.65 | 7.5 | -16 | 19 | 16 |
| 13.2 | 12.4 | 8.15 | 7.0 | -15 | 19 | 15 |
| 12.7 | 11.9 | 7.65 | 6.5 | -14 | 19 | 14 |
| 12.2 | 11.4 | 7.15 | 6.0 | -13 | 19 | 13 |
| 11.7 | 10.9 | 6.65 | 5.5 | -12 | 19 | 12 |
| 10.7 | 9.9 | 5.65 | 4.5 | -10 | 19 | 10 |
| 10.2 | 9.4 | 5.15 | 4.0 | -09 | 19 | 9 |
| 9.7 | 8.9 | 4.65 | 3.5 | -08 | 19 | 8 |
| 8.7 | 7.9 | 3.65 | 2.5 | 52559-06 | 19 | 6 |
| D | C | B | (A) | MATERIAL NO. | 極数 | 極数 |

THIS DRAWING CONTAINS INFORMATION THAT IS PROPRIETARY TO MOLEX ELECTRONIC TECHNOLOGIES, LLC AND SHOULD NOT BE USED WITHOUT WRITTEN PERMISSION

mm NTS

GENERAL TOLERANCES (UNLESS SPECIFIED)

ANGULAR TOL ± °

4 PLACES ±

3 PLACES ±

2 PLACES ±

1 PLACE ±

0 PLACES ±

DRAFT WHERE APPLICABLE MUST REMAIN WITHIN DIMENSIONS

THIRD ANGLE PROJECTION

DRAWING A3-SIZE

SERIES 52559

MATERIAL NUMBER SEE CHART

CUSTOMER GENERAL MARKET

SHEET NUMBER 2 OF 2

EC NO: 719890
 DRWN: NARENC 2022/08/22
 CHK'D: SMARUYAMA 2022/09/05
 APPR: YNAITO 2022/09/05

INITIAL REVISION:
 DRWN: HSHIMABUKURO 2004/01/07
 APPR: MSASAO 2004/01/08

DOCUMENT NUMBER SD-52559-045

DOC TYPE PSD

DOC PART 001

REVISION B

PRODUCT CUSTOMER DRAWING

0.5 FPC CONN ZIF FOR SMT
 S/T SHEET 1 OF 2 - LEAD FREE-