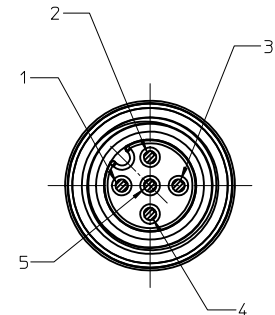
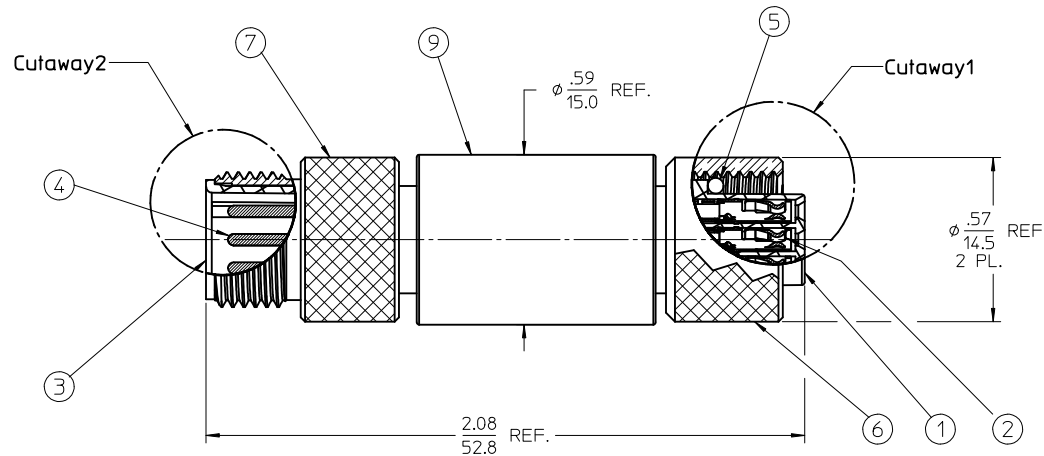
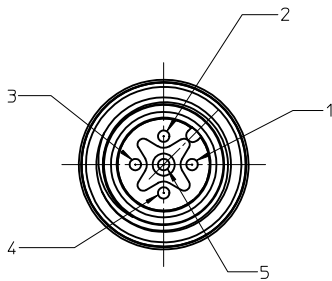
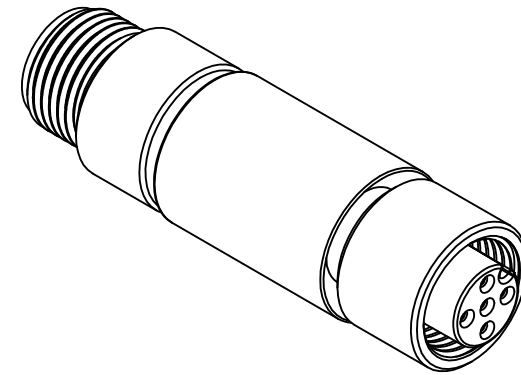
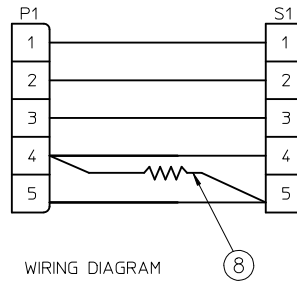


NOTES:

1. MATERIAL: SEE TABLE
2. FINISHES: SEE TABLE
3. PACKAGING: PACKED IN POLY BAG WITH BARCODE LABEL
5. MATES WITH: MIC 5/C CABLE
6. ELECTRICAL SPECIFICATIONS:
 VOLTAGE RATING: 30VAC, 36 VDC
 CURRENT RATING: 4.0 AMPS

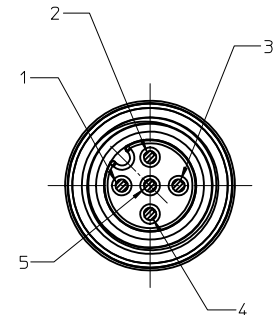
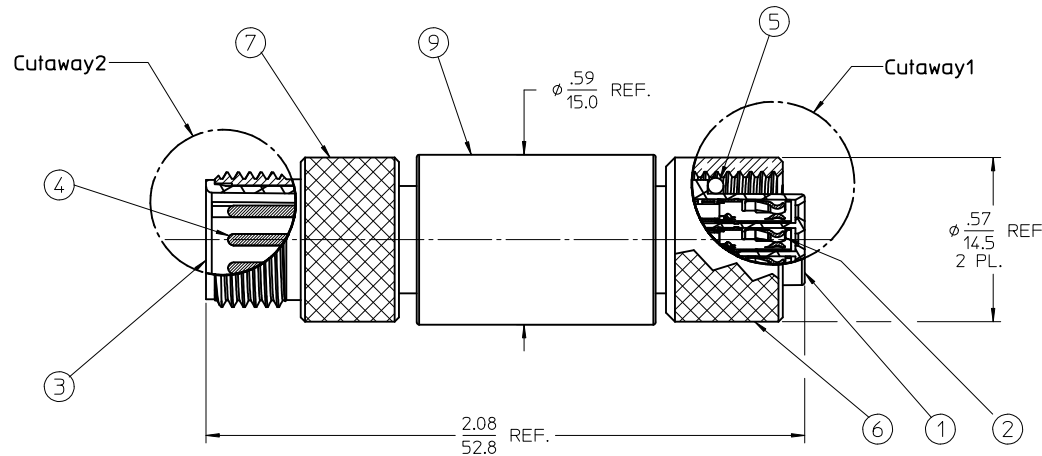
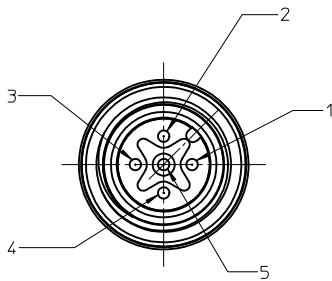
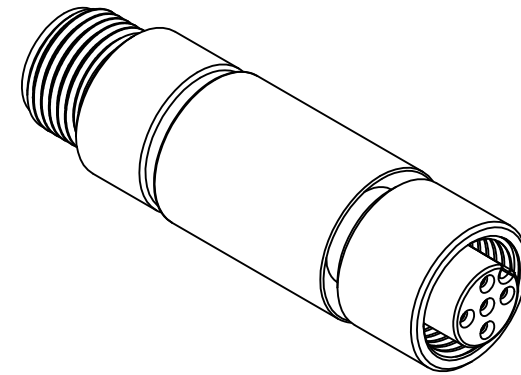
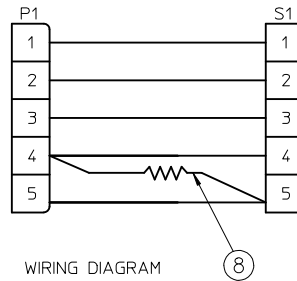


ITEM	QTY.	DESCRIPTION	MATERIAL	FINISH
9	1	OVERMOLD	PVC	BLACK
8	1	RESISTOR, 1/4 WATT, 121 OHMS	STD. SPEC	
7	1	COUPLING NUT, EXT. THREAD	BRASS	NICKEL PLATED
6	1	COUPLING NUT, INT. THREAD	BRASS	NICKEL PLATED
5	1	O-RING	VITON	RED
4	5	CONTACT PIN	Cu ALLOY	GOLD PLATED
3	1	INSERT, MALE, 5/C	NYLON	BLACK
2	5	CONTACT SOCKET	Cu ALLOY	GOLD PLATED
1	1	INSERT, FEMALE, 5/C	NYLON	BLACK

RELEASED EC NO: MNA2010-0402 DRAWNRSTONE 2010/01/05 CHKD: 2010/01/07 APPR: J.MURPHY 2010/01/07	DESCRIPTION A	QUALITY SYMBOLS ▽=0 ▽=0	GENERAL TOLERANCES (UNLESS SPECIFIED)		DIMENSION STYLE IN/MM	SCALE 3:1	DESIGN UNITS INCH	THIRD ANGLE PROJECTION		
					mm	INCH	DRAWN BY R.STONE	DATE 2009/12/30	TITLE MIC PASS THRU TERMINATOR 5C MALE/FEMALE	
			4 PLACES ± --- ± ---	3 PLACES ± --- ± ---	2 PLACES ± --- ± .01	1 PLACE ± 0.3 ± ---	CHECKED BY B.WOODMAN	DATE 2010/01/06		
			ANGULAR ±1/2°		DRAFT WHERE APPLICABLE MUST REMAIN WITHIN DIMENSIONS		APPROVED BY J.MURPHY	DATE 2010/01/08	MOLEX MOLEX INCORPORATED DOCUMENT NO. SD-84854-026	
				MATERIAL NO. 848549319	SIZE C	SHEET NO. 1 OF 1		THIS DRAWING CONTAINS INFORMATION THAT IS PROPRIETARY TO MOLEX INCORPORATED AND SHOULD NOT BE USED WITHOUT WRITTEN PERMISSION		

NOTES:

1. MATERIAL: SEE TABLE
2. FINISHES: SEE TABLE
3. PACKAGING: PACKED IN POLY BAG WITH BARCODE LABEL
5. MATES WITH: MIC 5/C CABLE
6. ELECTRICAL SPECIFICATIONS:
 VOLTAGE RATING: 30VAC, 36 VDC
 CURRENT RATING: 4.0 AMPS



9	1	OVERMOLD	PVC	BLACK
8	1	RESISTOR, 1/4 WATT, 121 OHMS	STD. SPEC	
7	1	COUPLING NUT, EXT. THREAD	BRASS	NICKEL PLATED
6	1	COUPLING NUT, INT. THREAD	BRASS	NICKEL PLATED
5	1	O-RING	VITON	RED
4	5	CONTACT PIN	Cu ALLOY	GOLD PLATED
3	1	INSERT, MALE, 5/C	NYLON	BLACK
2	5	CONTACT SOCKET	Cu ALLOY	GOLD PLATED
1	1	INSERT, FEMALE, 5/C	NYLON	BLACK
ITEM	QTY.	DESCRIPTION	MATERIAL	FINISH

RELEASED EC NO: MNA2010-0402 DRAWNRSTONE 2010/01/05 CHKD: 2010/01/07 APPR: J.MURPHY 2010/01/07	DESCRIPTION QUALITY SYMBOLS ▽=0 ▽=0	GENERAL TOLERANCES (UNLESS SPECIFIED)		DIMENSION STYLE IN/MM	SCALE 3:1	DESIGN UNITS INCH	THIRD ANGLE PROJECTION																
		<table border="1"> <tr> <th></th> <th>mm</th> <th>INCH</th> </tr> <tr> <td>4 PLACES</td> <td>± .005</td> <td>± .0005</td> </tr> <tr> <td>3 PLACES</td> <td>± .005</td> <td>± .0005</td> </tr> <tr> <td>2 PLACES</td> <td>± .01</td> <td>± .001</td> </tr> <tr> <td>1 PLACE</td> <td>± 0.3</td> <td>± .012</td> </tr> </table>			mm	INCH	4 PLACES	± .005	± .0005	3 PLACES	± .005	± .0005	2 PLACES	± .01	± .001	1 PLACE	± 0.3	± .012	DRAWN BY R.STONE	DATE 2009/12/30	TITLE MIC PASS THRU TERMINATOR 5C MALE/FEMALE		
			mm	INCH																			
		4 PLACES	± .005	± .0005																			
3 PLACES	± .005	± .0005																					
2 PLACES	± .01	± .001																					
1 PLACE	± 0.3	± .012																					
DRAFT WHERE APPLICABLE MUST REMAIN WITHIN DIMENSIONS		APPROVED BY J.MURPHY	DATE 2010/01/08	MATERIAL NO. 848549319			DOCUMENT NO. SD-84854-026																
A		SIZE C		THIS DRAWING CONTAINS INFORMATION THAT IS PROPRIETARY TO MOLEX INCORPORATED AND SHOULD NOT BE USED WITHOUT WRITTEN PERMISSION																			