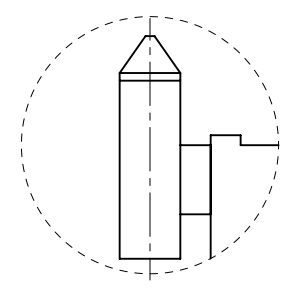


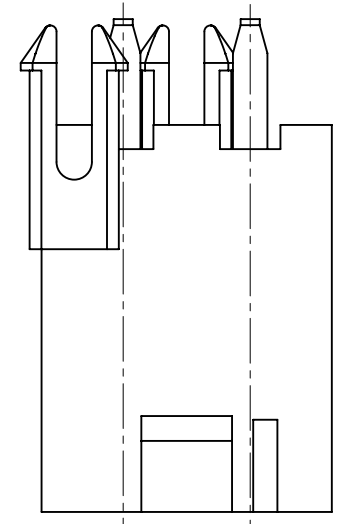
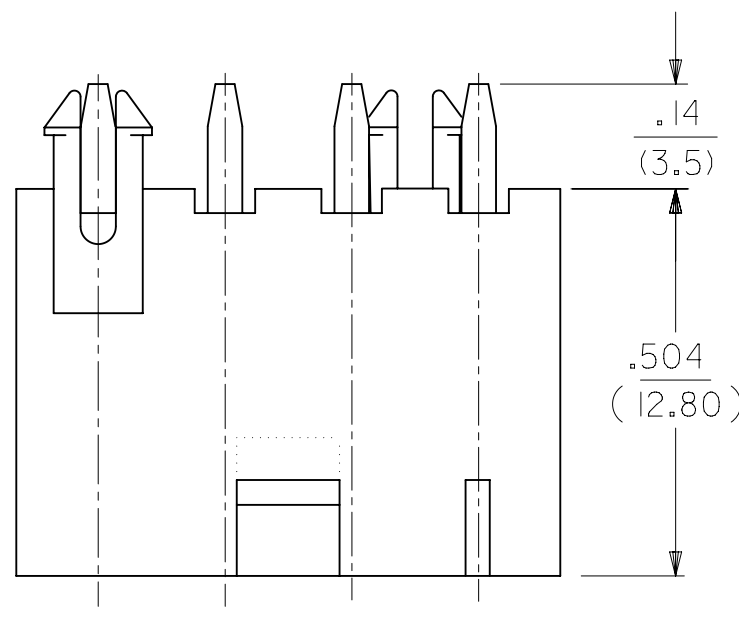
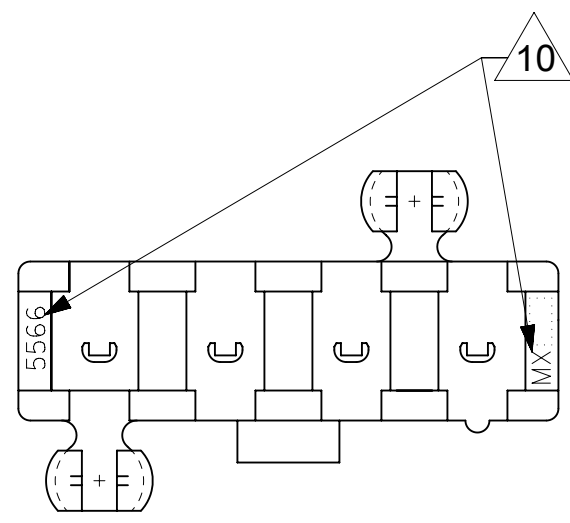
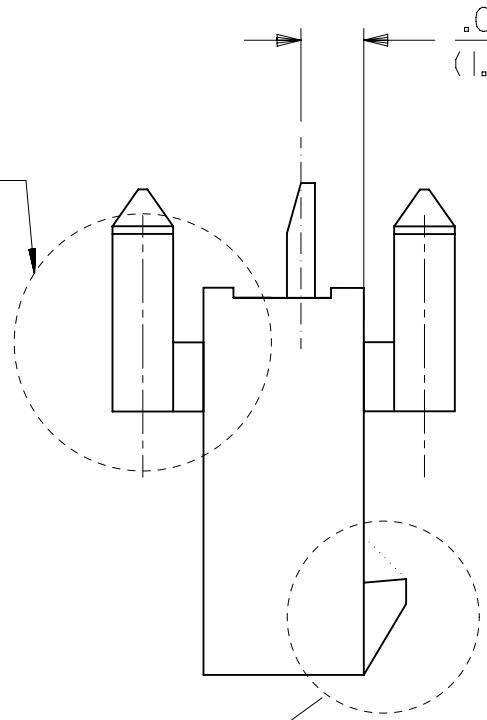
- NOTES:
- MATERIALS:
 - HOUSING:
 - "BLANK"=NYLON 6/6, UNFILLED UL94 V-2, COLOR: NATURAL
 - "210"=NYLON 6/6, UNFILLED UL94 V-0, COLOR: NATURAL
 - "BL"=NYLON 6/6, UNFILLED UL94 V-2, COLOR: BLACK
 - "400"=NYLON 6/6, UNFILLED UL94 V-0, COLOR: BLACK
 - TERMINALS:
 - BRASS
 - TERMINAL PLATING:
 - "BLANK"=.000035/(0.00090) MIN. REFLOWED MATTE TIN OVER .000020/(0.00050) MIN. COPPER (PREPLATE) (FINISH IS BRIGHT IN APPEARANCE, THICKNESS AS APPLIED PRIOR TO REFLOW)
 - GS2=.000015/(0.00038) MIN. SELECT GOLD AND .000100/(0.00254) MIN. SELECT MATTE TIN OVER .000050/(0.00127) MIN. NICKEL OVERALL
 - GS=.000030/(0.00076) MIN. SELECT GOLD AND .000100/(0.00254) MIN. SELECT MATTE TIN OVER .000050/(0.00127) MIN. NICKEL OVERALL
 - S=.000100/(0.00254) MIN. BRIGHT TIN OVER .000050/(0.00127) MIN. NICKEL
 - MS=.000100/(0.00254) MIN. MATTE TIN OVER .000050/(0.00127) MIN. NICKEL
 - PRODUCT SPECIFICATION: PS-5556-001
 - PACKAGING: TRAY PACKED PER PK-5566-002
 - PART MATES WITH MINI-FIT JR. RECEPTACLE NO. 5557.
 - PART IS NOT DESIGNED FOR CURRENT SHARING.
 - PARTS ARE NOT TO BE MATED OR UN-MATED WHILE CIRCUITS ARE LIVE.
 - PART CONFORMS TO CLASS "B" REQUIREMENTS OF COSMETIC SPECIFICATION PS-45499-002.
 - 5 CIRCUIT PARTS HAVE PEG DESIGN B. ALL OTHER CIRCUIT SIZES HAVE PEG DESIGN A.

10. TEXT SHOWN IS FOR REFERENCE ONLY. TEXT AND TEXT LOCATION MAY VARY DEPENDING ON PART NUMBER AND/OR TOOL



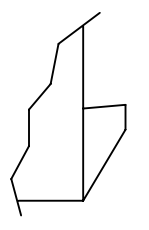
PEG DESIGN B
SEE NOTE 9

PEG DESIGN A
SEE NOTE 9

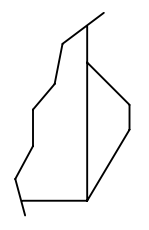


2 CIRCUIT

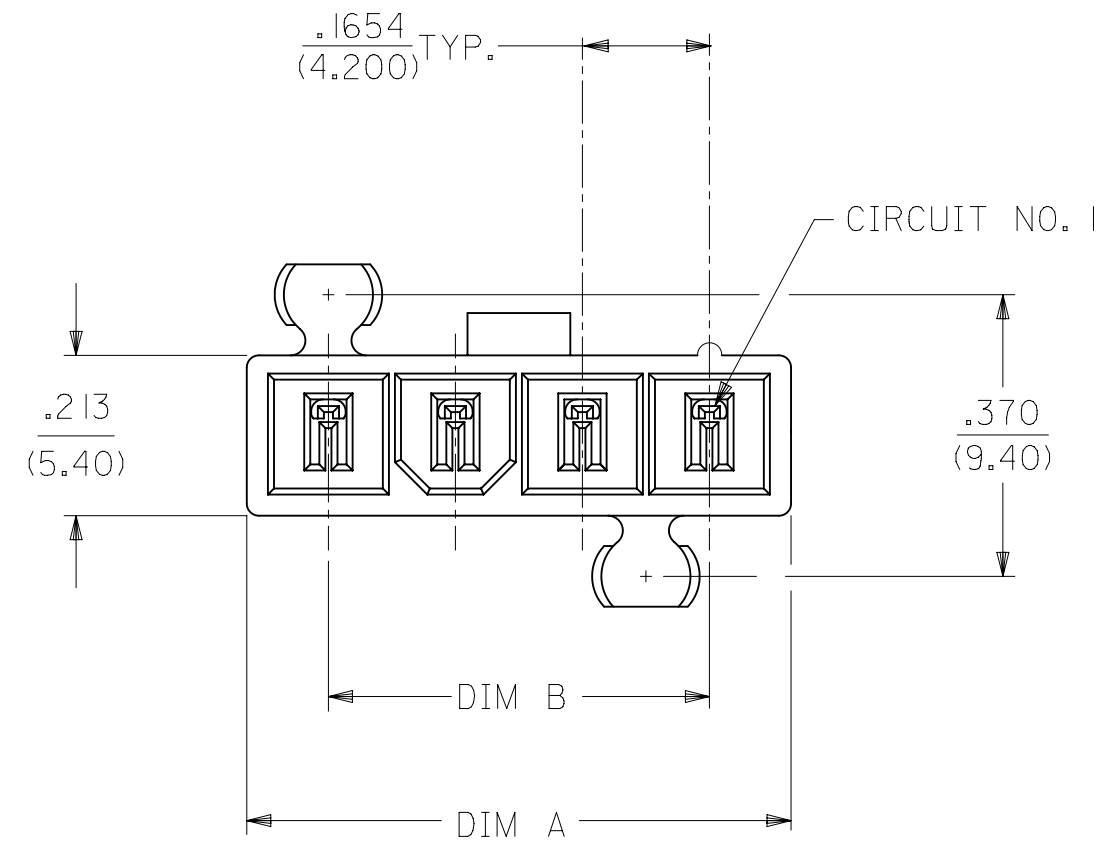
POSITIVE LOCK



PASSIVE LOCK



LOCK OPTION



CKT SIZE	DIM A	DIM B
2	.378 (9.60)	.165 (4.20)
4	.709 (18.00)	.496 (12.60)
5	.874 (22.20)	.661 (16.80)
6	1.039 (26.40)	.827 (21.00)
7	1.205 (30.60)	.992 (25.20)
8	1.370 (34.80)	1.157 (29.40)
9	1.535 (39.00)	1.323 (33.60)
10	1.701 (43.20)	1.488 (37.80)
11	1.866 (47.40)	1.654 (42.00)
12	2.031 (51.60)	1.819 (46.20)

LEGEND:

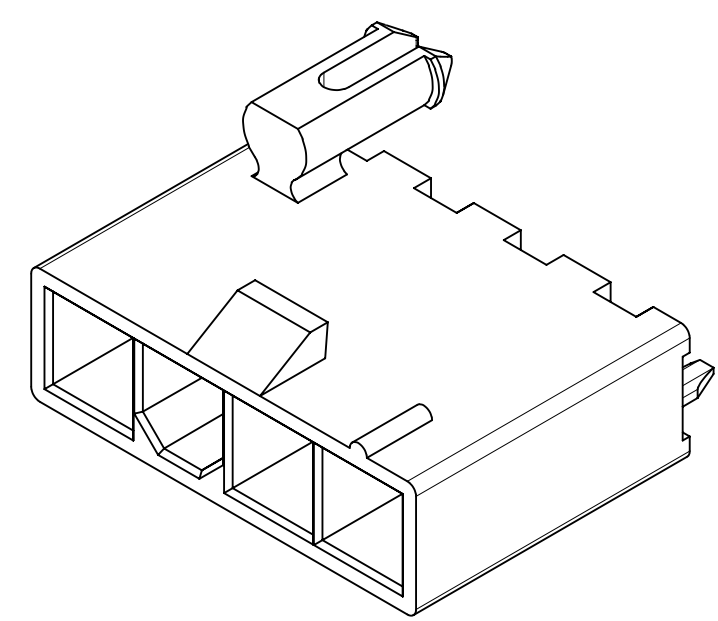
5566 - N A * * - *

CIRCUIT SIZE (04-12)

PEG AND LOCK OPTION
3=MTG. PEGS, POSITIVE LOCK
4=MTG. PEGS, PASSIVE LOCK

PLATING (SEE NOTE 2)

HOUSING MAT'L (SEE NOTE 1)



THIS DRAWING CONTAINS INFORMATION THAT IS PROPRIETARY TO MOLEX ELECTRONIC TECHNOLOGIES, LLC AND SHOULD NOT BE USED WITHOUT WRITTEN PERMISSION									
SYMBOLS		DIMENSION UNITS		SCALE		CURRENT REV DESC: REMOVE LCP			
= 0		IN/MM		4:1		<p>EC NO: 613873</p> <p>DRWN: POAK 2019/03/13</p> <p>CHK'D: DSTEIER 2020/03/23</p> <p>APPR: FSMITH 2020/04/14</p> <p>INITIAL REVISION:</p> <p>DRWN: KSS 1989/02/19</p> <p>APPR: FSMITH 2012/05/06</p>			
= 0		GENERAL TOLERANCES (UNLESS SPECIFIED)							
= 0		MM		INCH					
= 0		4 PLACES ±		±					
= 0		3 PLACES ±		± 0.015					
= 0		2 PLACES ±		± 0.38 ± 0.02					
= 0		1 PLACE ±		± 0.5 ±					
= 0		0 PLACES ±		±					
= 0		ANGULAR TOL ± 0.5 °		THIRD ANGLE PROJECTION		DRAWING		SERIES	
= 0		DRAFT WHERE APPLICABLE MUST REMAIN WITHIN DIMENSIONS		C-SIZE		5566		MATERIAL NUMBER	
= 0								CUSTOMER	
								SEE TABLE	
								GENERAL MARKET	
								SHEET NUMBER	
								1 OF 3	



VERT HDR ASSY W/ PEGS MINIFIT JR SR

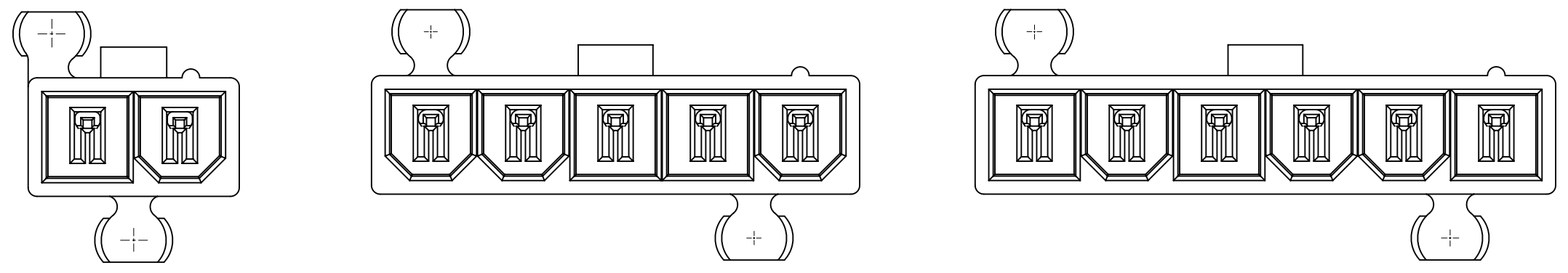
PRODUCT CUSTOMER DRAWING

DOCUMENT NUMBER: 55660001-SD

DOC TYPE: PSD

DOC PART: 000

REVISION: B

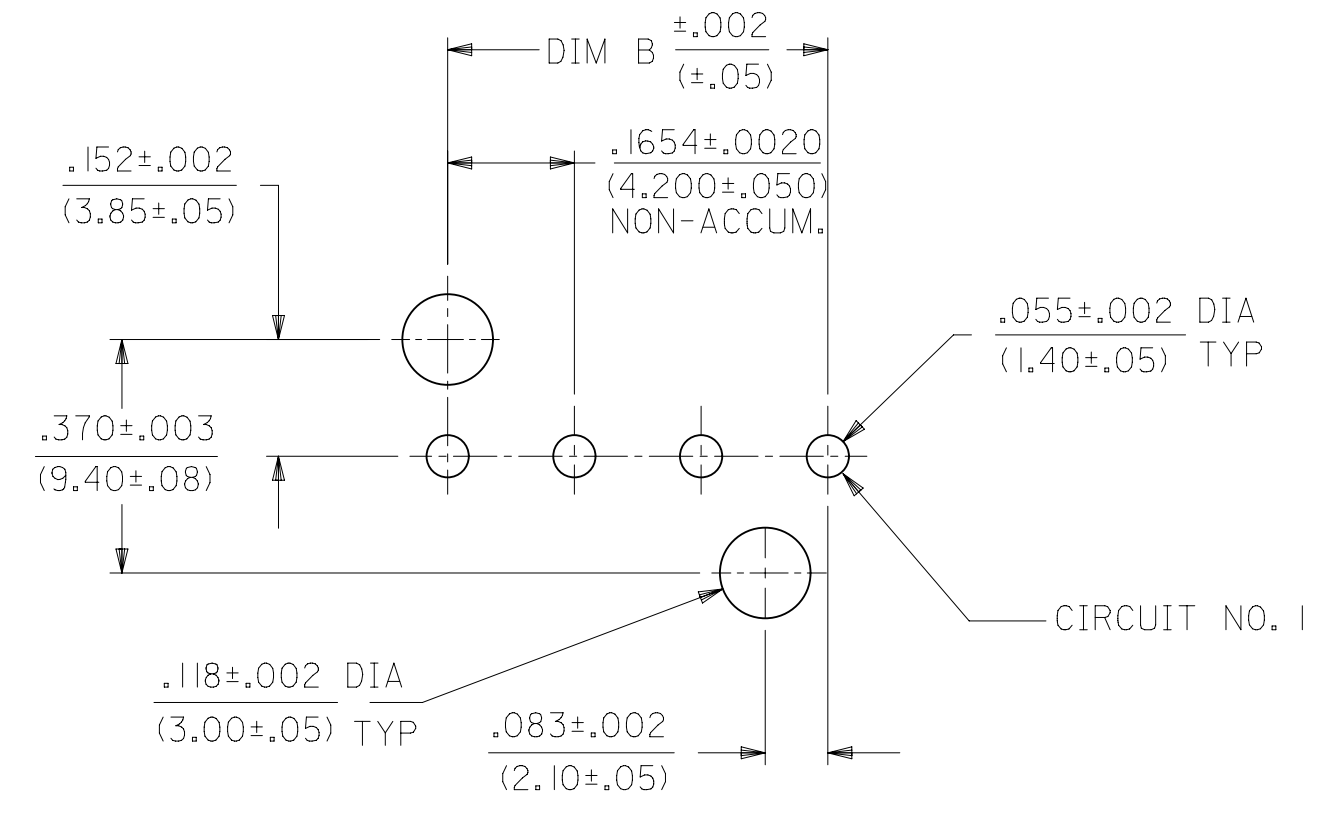


2 CIRCUIT

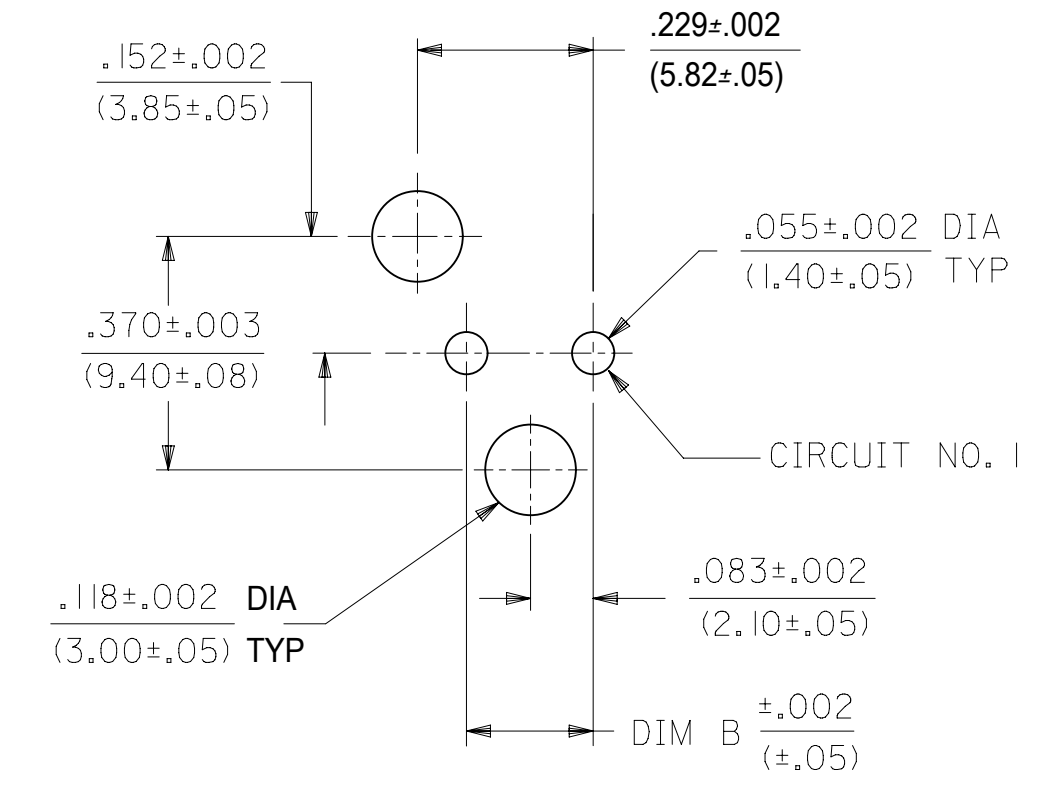
5 CIRCUIT

6 CIRCUIT

POLARIZATION



RECOMMENDED HOLE LAYOUT FOR
.070/(1.78) MAX. THICK P. C. BOARD
VIEWED FROM COMPONENT SIDE
4-12 CIRCUIT PART



RECOMMENDED HOLE LAYOUT FOR
.070/(1.78) MAX. THICK P. C. BOARD
VIEWED FROM COMPONENT SIDE
2 CIRCUIT PART

SYMBOLS	THIS DRAWING CONTAINS INFORMATION THAT IS PROPRIETARY TO MOLEX ELECTRONIC TECHNOLOGIES, LLC AND SHOULD NOT BE USED WITHOUT WRITTEN PERMISSION										
	DIMENSION UNITS		SCALE		CURRENT REV DESC: REMOVE LCP						
▽ = 0	IN/MM		4:1								
▽ = 0	GENERAL TOLERANCES (UNLESS SPECIFIED)										
▽ = 0		MM	INCH								
▽ = 0	4 PLACES	±	±	EC NO: 613873		2019/03/13					
▽ = 0	3 PLACES	±	± 0.015	DRWN: POAK		2020/03/23					
▽ = 0	2 PLACES	± 0.38	± 0.02	CHK'D: DSTEIER		2020/04/14					
▽ = 0	1 PLACE	± 0.5	±	APPR: FSMITH							
▽ = 0	0 PLACES	±	±	INITIAL REVISION:							
▽ = 0	ANGULAR TOL	± 0.5 °		DRWN: KSS		1989/02/19					
▽ = 0	DRAFT WHERE APPLICABLE MUST REMAIN WITHIN DIMENSIONS		THIRD ANGLE PROJECTION		DRAWING		SERIES		MATERIAL NUMBER		
▽ = 0					C-SIZE		5566		55660001-SD		
DOCUMENT STATUS		P1	RELEASE DATE	2020/04/14	20:27:15	CUSTOMER		GENERAL MARKET		SHEET NUMBER	
						SEE TABLE		GENERAL MARKET		2 OF 3	

