

2.83 ±0.25  
(POWER TAILS)

14.4

1.58 MIN  
(PCB THICKNESS)

ALLOW EXTRA SPACE  
4.00 MM PER SIDE  
(REQUIRED FOR RE-WORK PER AS-46436-100)

"A" ±0.75

8.00 TYP

18.0

SP3

SP1



(29.63)

A

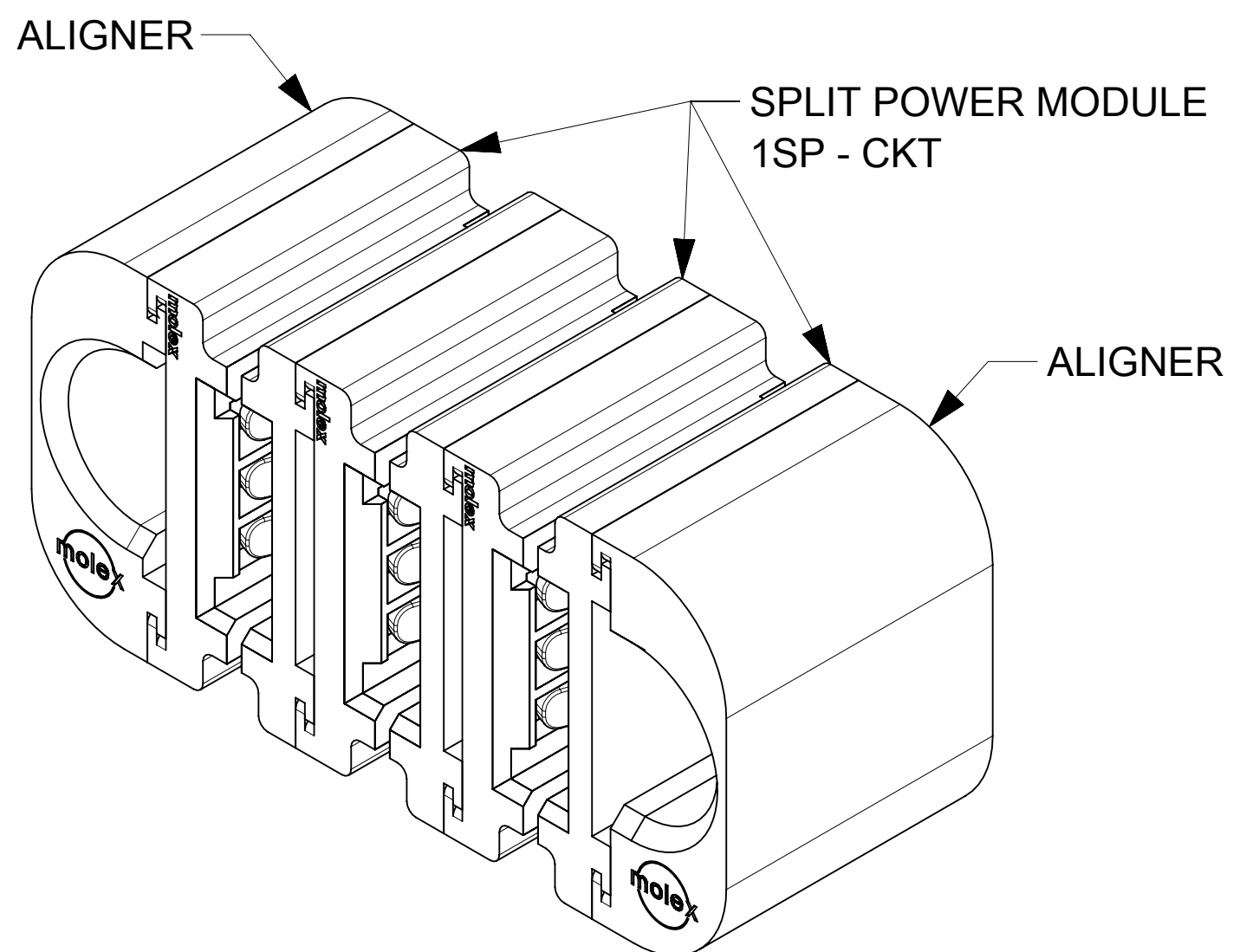
PLUG  
ASSY

RECEPTACLE  
ASSY

OF FIRST ROW OF  
POWER PINS

19.03 <sup>+0.50</sup>/<sub>0.00</sub>

MATED PROFILE



P/N: 171089-8403 (G-3SP-G)

RECEPTACLE  
SIDE PCB

SP1

0.88 ±0.15

PLUG SIDE  
PCB

SECTION A-A

"B" MIN  
(KEEP-OUT ZONE)

9.32

2.50

B

5.50

18.50 MIN  
(KEEP-OUT ZONE)

SP3

SP1

Ø 0.10 A B

Ø1.02 ±0.05 ("H1")  
(SEE NOTE 3)

8.00

A

3.50

RECOMMENDED PCB LAYOUT AND KEEP-OUT ZONE FOR G-(1SP TO 3SP)-G

NOTES:

- MATERIAL:
  - HOUSINGS: LCP UL94, V-0, COLOR : BLACK
  - TERMINALS: HIGH CONDUCTIVITY COPPER ALLOY
  - PLATING: 1.27 MICROMETER (50 MICROINCH) NICKEL OVERALL WITH 2.54 MICROMETER (100 MICROINCH) SELECTIVE TIN ON TAILS AND 0.762 MICROMETER (30 MICROINCH) SELECTIVE GOLD ON CONTACT AREA
- PACKAGING: ASSEMBLIES TO BE TRAY PACKED PER PACKAGING SPEC: 1710891001-PK
- PLATED THRU HOLE SIZE, REFER TO PS-171088-0000 FOR DETAILS
- PRODUCT SPEC: PS-171088-0000
- PRODUCT TO MEET RoHS REQUIREMENTS
- ASSEMBLY MATES TO MOLEX PLUG ASSEMBLY P/N 171088-\*\*\*\* (SEE TABLE IN SHEET 2).
- TAIL DESIGN: COMPLIANT PINS
- POWER CONTACTS ARE LUBRICATED.
- APPLICATION SPEC: AS-46436-100.
- MOLEX LOGO TO BE LOCATED APPROXIMATELY AS SHOWN.

THIS DRAWING CONTAINS INFORMATION THAT IS PROPRIETARY TO MOLEX ELECTRONIC TECHNOLOGIES, LLC AND SHOULD NOT BE USED WITHOUT WRITTEN PERMISSION									
DIMENSION UNITS	SCALE	CURRENT REV DESC: REMOVED P/N 8404 TO 8410							
mm	4:1								
GENERAL TOLERANCES (UNLESS SPECIFIED)									
ANGULAR TOL	± 0.5°								
4 PLACES	±	EC NO: 707711							
3 PLACES	±	DRWN: KSUTAR		2022/05/19					
2 PLACES	± 0.13	CHK'D: GJEEVANSURES		2022/05/23					
1 PLACE	± 0.25	APPR: HTHYAGARAJ		2022/06/08					
0 PLACES	±	INITIAL REVISION:							
DRAFT WHERE APPLICABLE MUST REMAIN WITHIN DIMENSIONS		DRWN: KSUTAR		2021/09/28					
		APPR: HTHYAGARAJ		2021/11/08					
THIRD ANGLE PROJECTION		DRAWING		SERIES		MATERIAL NUMBER		CUSTOMER	
		D-SIZE		171089		SEE TABLE		GENERAL MARKET	
								SHEET NUMBER	
								1 OF 2	

**molex**

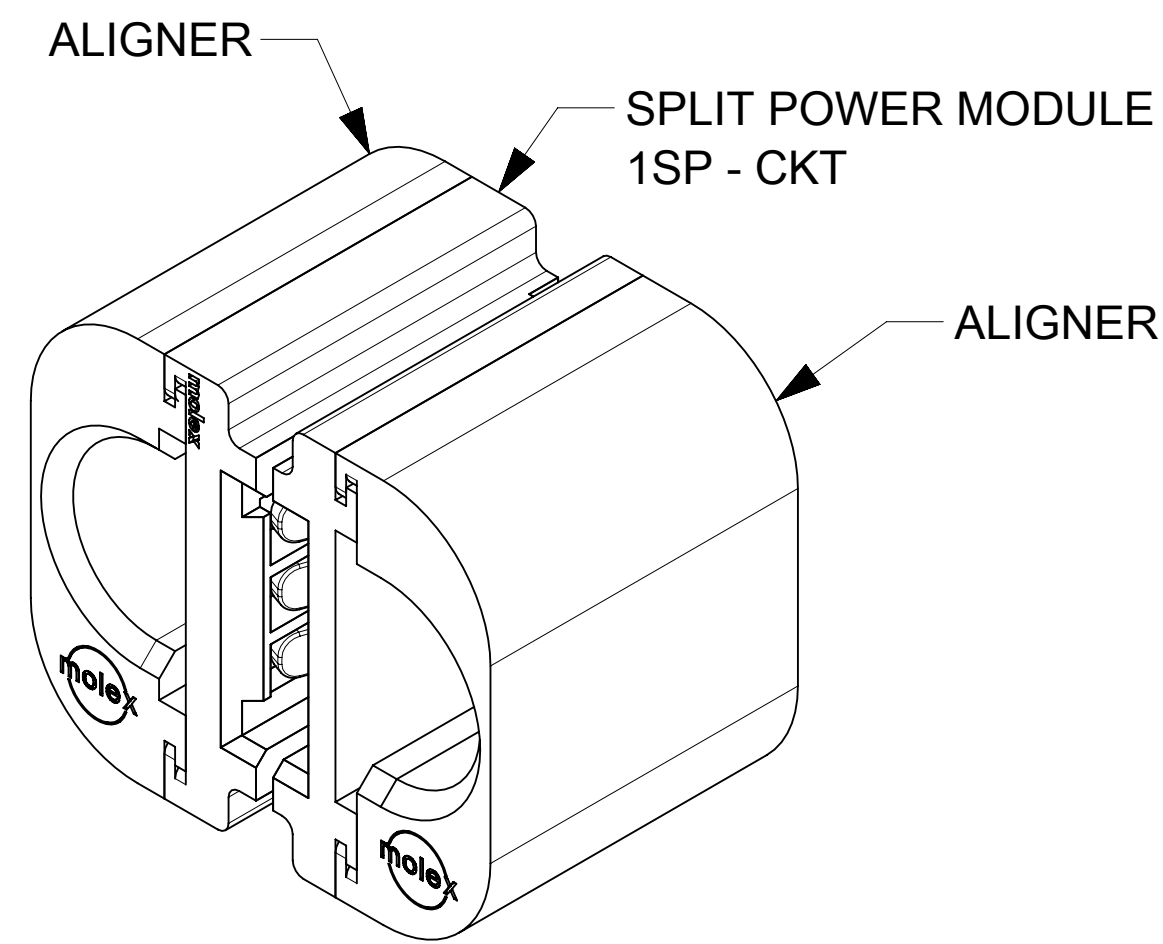
G-SP-G  
VERT RECEPTACLE ASSY - TEN60 SPLIT POWER

PRODUCT CUSTOMER DRAWING

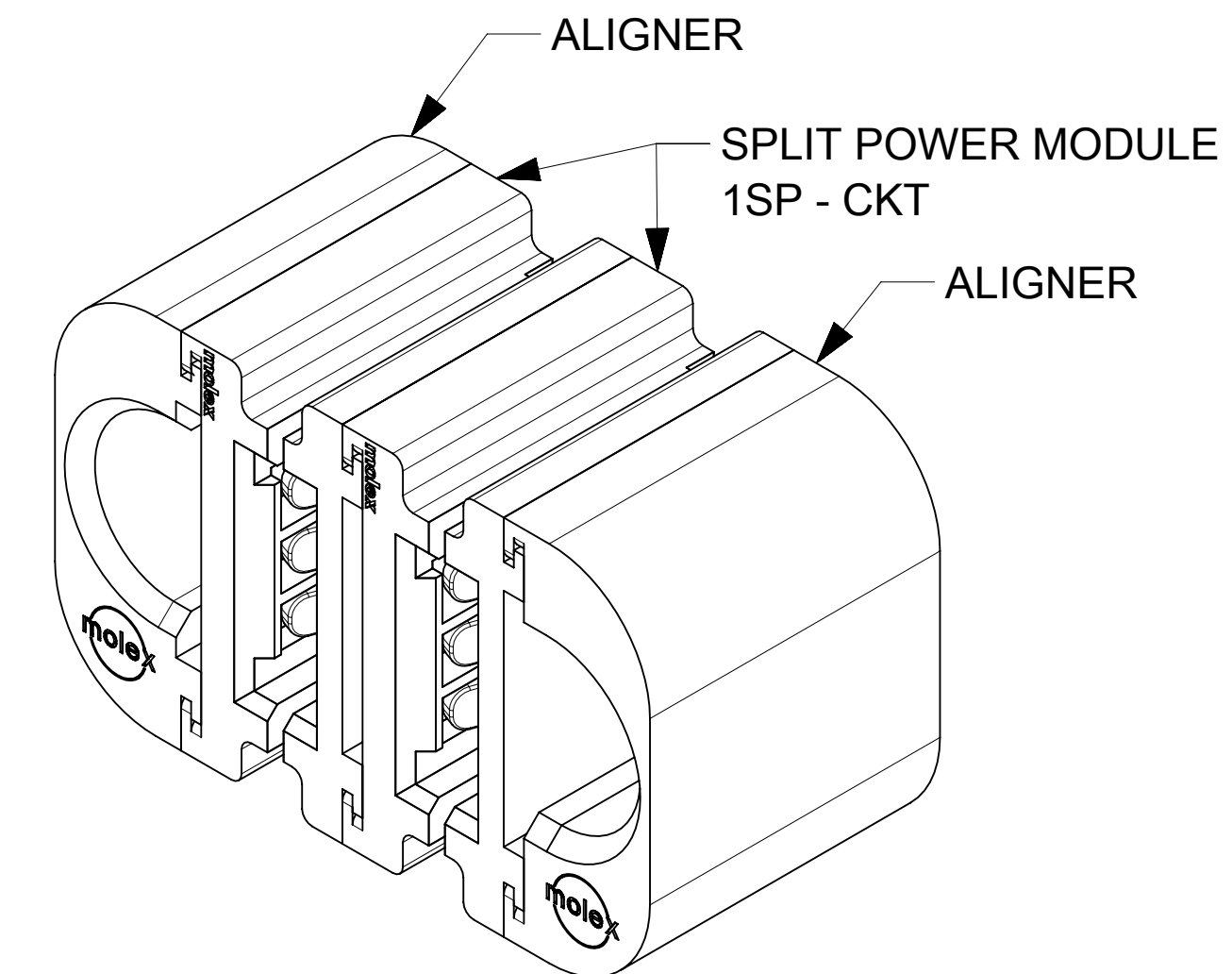
DOCUMENT NUMBER: 1710898410, DOC TYPE: PSD, DOC PART: 000, REVISION: A2

REFER TO BELOW TABLE FOR DIMENSIONS.

FG P/N	CONFIGURATION	POWER CKT SIZE	DIM "A" (IN MM)	DIM "B" (IN MM)	HOLES COUNT "H1"	MATES WITH R/A PLUG ASSY P/N
1710898401	G-1SP-G	1	21.50	22.50	08	1710888401
1710898402	G-2SP-G	2	29.50	30.50	16	1710888402
1710898403	G-3SP-G	3	37.50	38.50	24	1710888403



P/N: 171089-8401 (G-1SP-G)



P/N: 171089-8402 (G-2SP-G)

THIS DRAWING CONTAINS INFORMATION THAT IS PROPRIETARY TO MOLEX ELECTRONIC TECHNOLOGIES, LLC AND SHOULD NOT BE USED WITHOUT WRITTEN PERMISSION											
DIMENSION UNITS		SCALE		CURRENT REV DESC: REMOVED P/N 8404 TO 8410							
mm		4:1		<div style="text-align: center;"> <p>G-*SP-G VERT RECEPTACLE ASSY - TEN60 SPLIT POWER</p> <p>PRODUCT CUSTOMER DRAWING</p> </div>							
GENERAL TOLERANCES (UNLESS SPECIFIED)											
ANGULAR TOL ± 0.5°											
4 PLACES ±		EC NO: 707711									
3 PLACES ±		DRWN: KSUTAR 2022/05/19									
2 PLACES ± 0.13		CHK'D: GJEEVANSURES 2022/05/23									
1 PLACE ± 0.25		APPR: HTHYAGARAJ 2022/06/08									
0 PLACES ±		INITIAL REVISION:		DOCUMENT NUMBER		DOC TYPE		DOC PART		REVISION	
DRAFT WHERE APPLICABLE MUST REMAIN WITHIN DIMENSIONS		THIRD ANGLE PROJECTION		DRAWING		SERIES		MATERIAL NUMBER		CUSTOMER	
				D-SIZE		171089		SEE TABLE		GENERAL MARKET	
								1710898410		PSD 000 A2	
										2 OF 2	