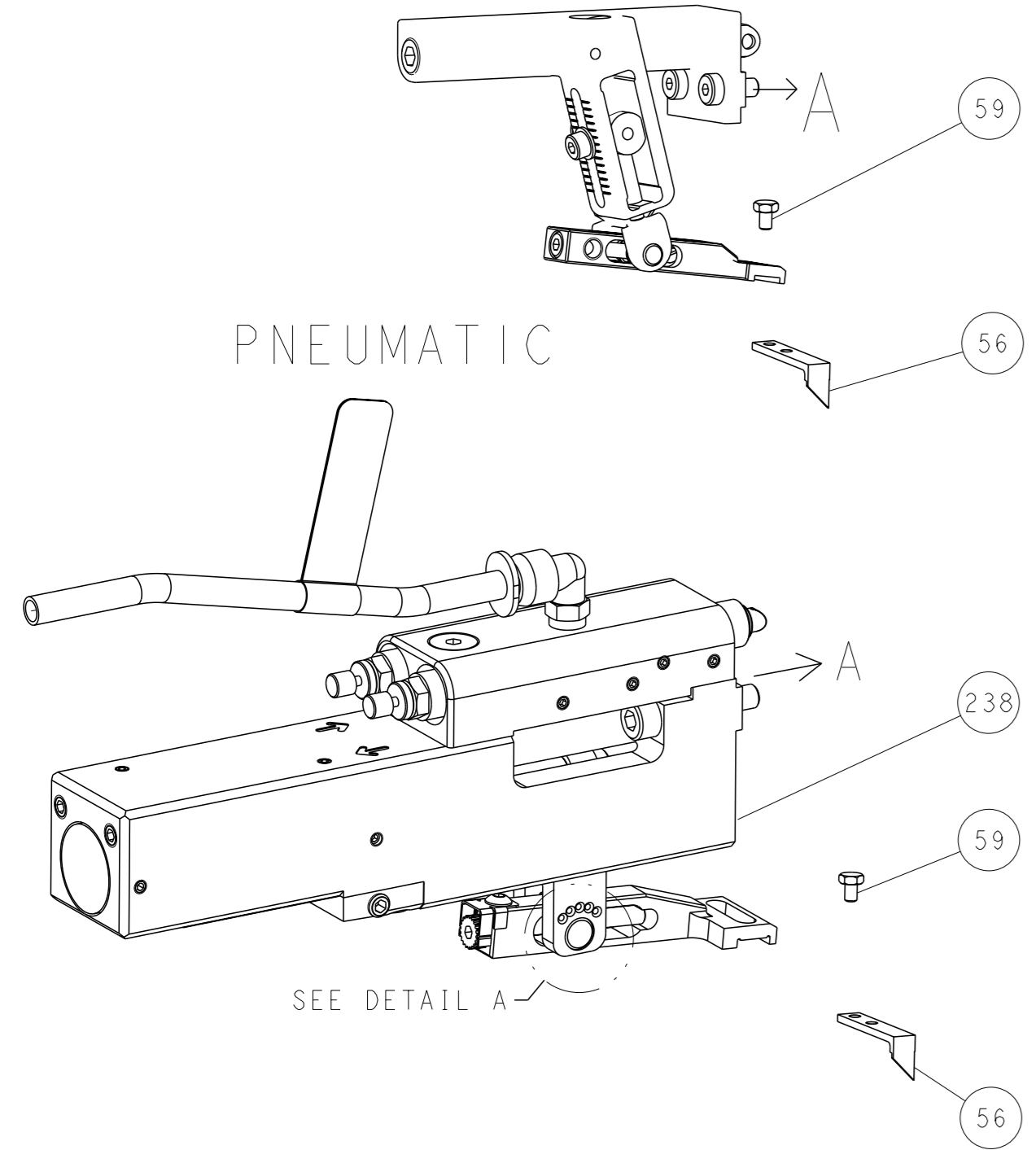
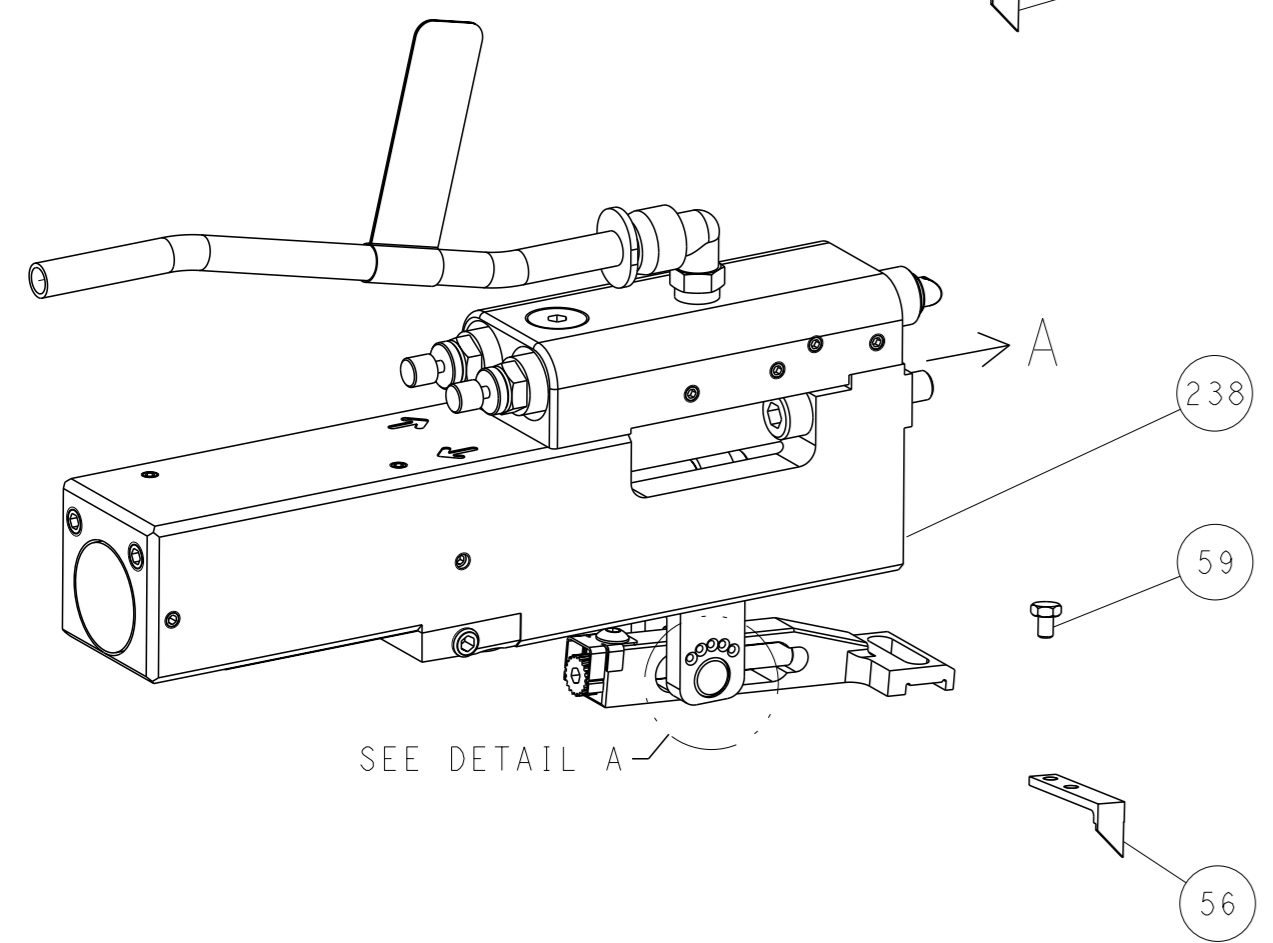


LOC	DIST	REVISIONS			
A	66	REV	DATE	OWN	APVD
-	SEE SHEET 1	-	-	-	-

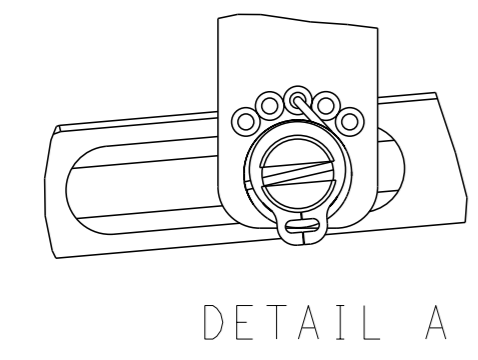
FEED TYPE MECHANICAL



PNEUMATIC

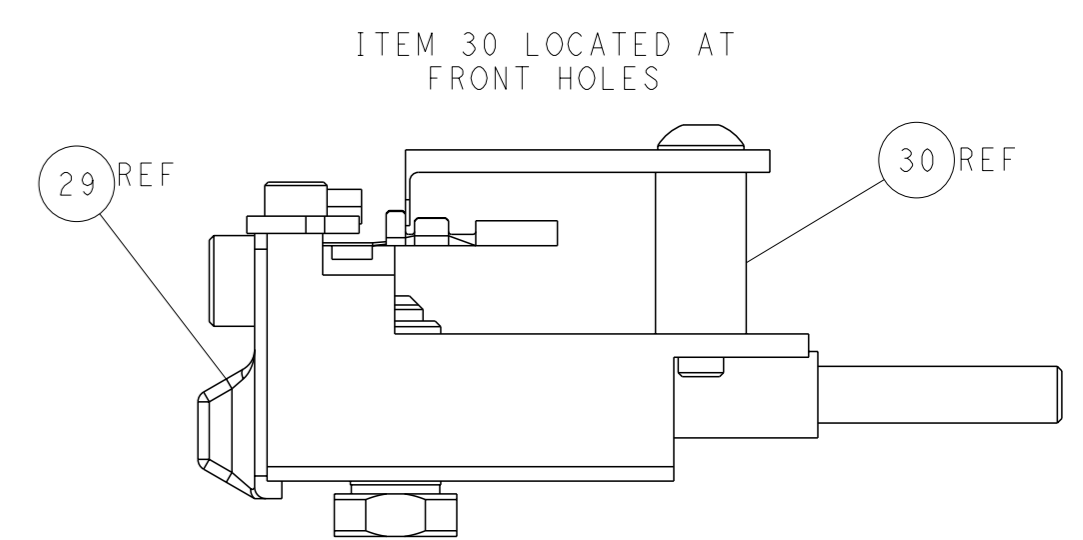
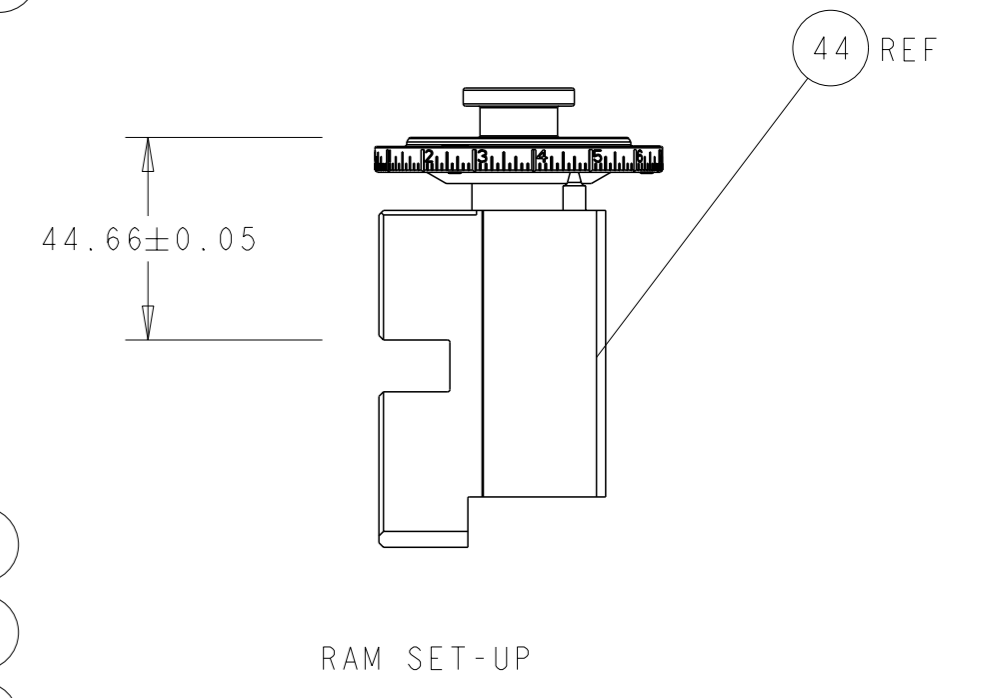
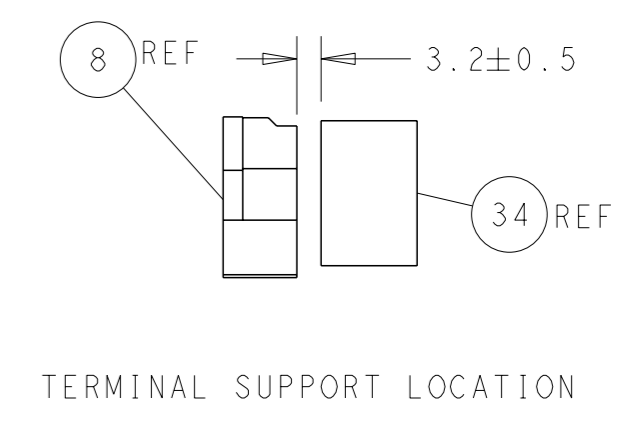
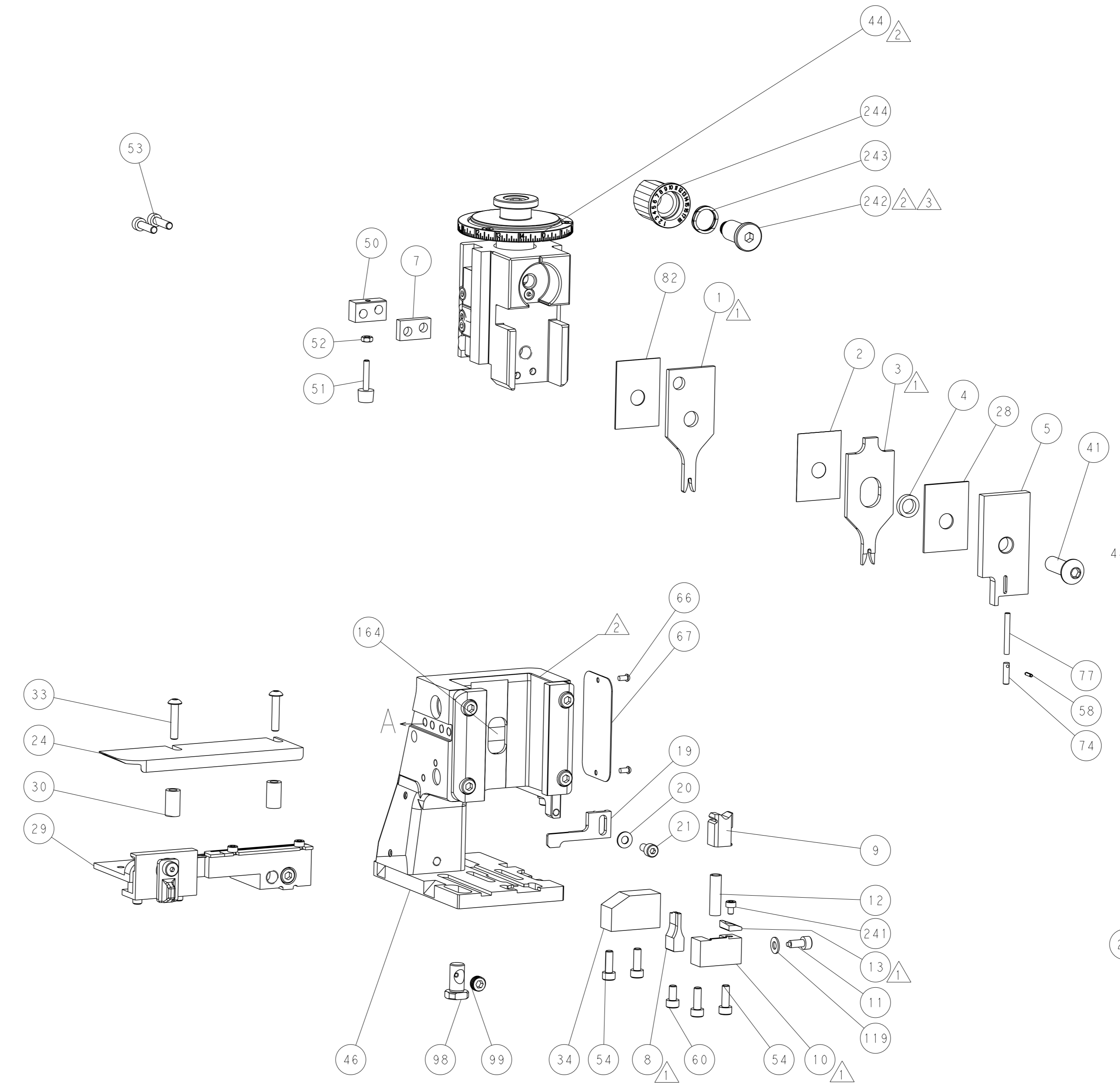
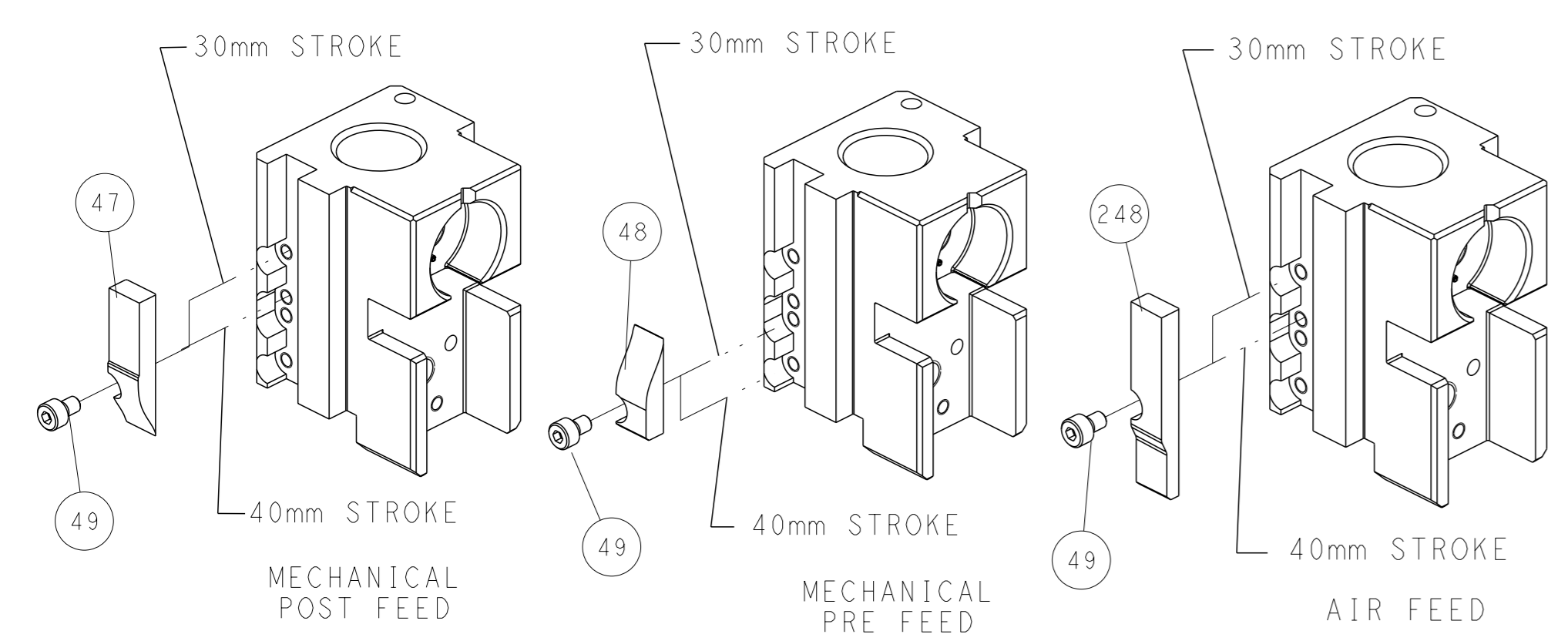


FEED SPRING SETTING POSITION (SHOWN FROM REAR SIDE)



DETAIL A

CAM POSITIONS



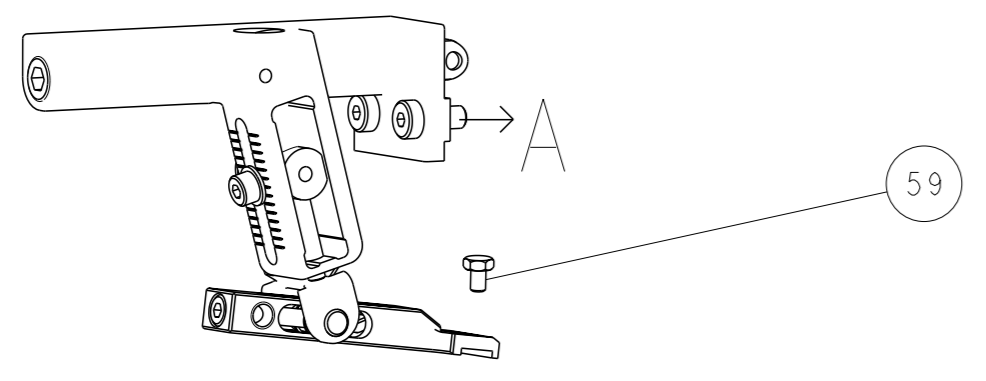
ATLANTIC VERSION
 Shown on sheets 1 of 4 & 2 of 4
 (Pacific version shown on sheets 3 of 4 & 4 of 4)

<small>THIS DRAWING IS A CONTROLLED DOCUMENT FOR TYCO ELECTRONICS CORPORATION. IT IS SUBJECT TO CHANGE AND TO CONTROLING ENGINEERING DISCRETION. SHOULD BE CONTACTED FOR THE LATEST REVISION.</small>		DWN: BOB HIGMAN 18MAR2013 CHK: G. BAILEY 18MAR2013 APVD: M. CLIFFORD 18MAR2013	NAME: Ocean Side Feed Applicator SIZE: A1 CAGE CODE: 00779 DRAWING NO: 2151877 SCALE: 1:2	TE Connectivity Harrisburg, PA 17105-3608
DIMENSIONS: mm TOLERANCES UNLESS OTHERWISE SPECIFIED: 0 PLC ± 1 PLC ± 2 PLC ± 3 PLC ± 4 PLC ± ANGLES FINISH ±	WEIGHT: - RESTRICTED TO: -	SHEET 2 OF 4 REV C	Customer Accessible Production Drawing	

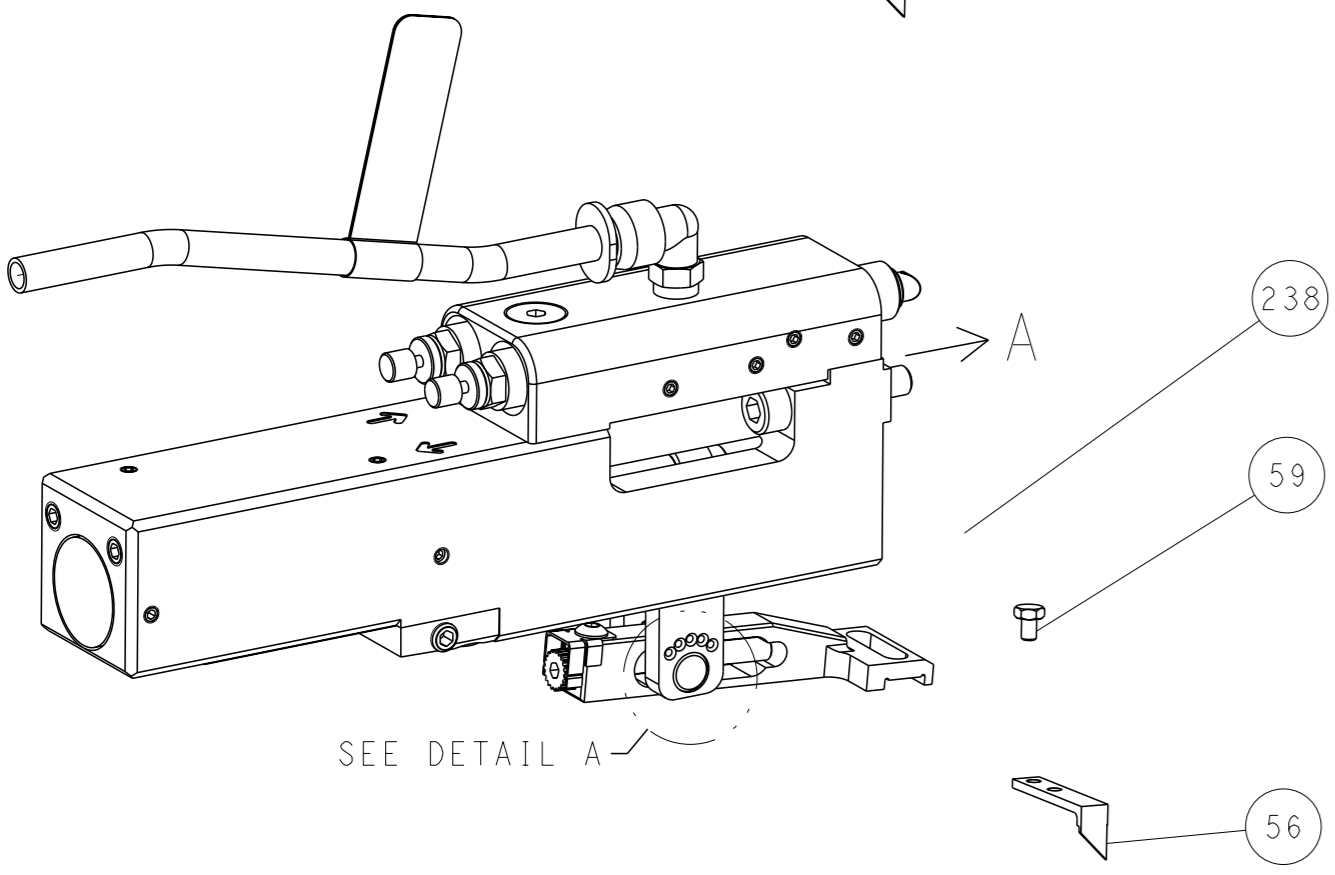
LOC	DIST	REVISIONS			
A	66	REV	DATE	OWN	APVD
-	-	SEE SHEET 1	-	-	-

FEED TYPE

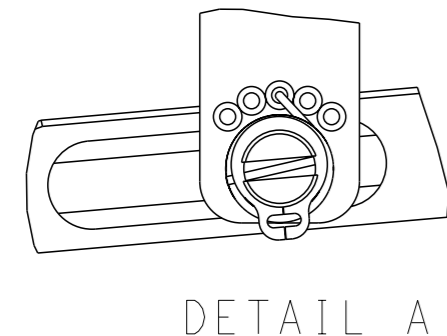
MECHANICAL



PNEUMATIC

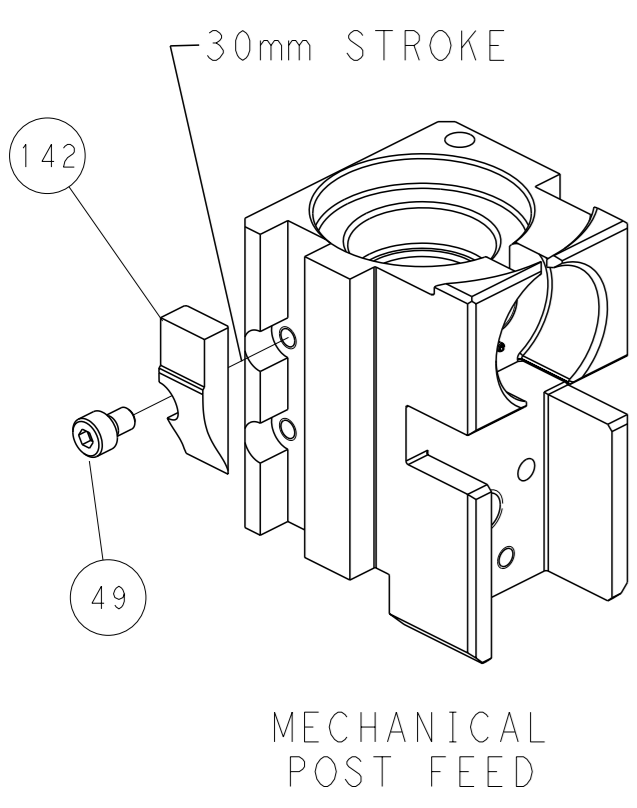


FEED SPRING SETTING POSITION
(SHOWN FROM REAR SIDE)

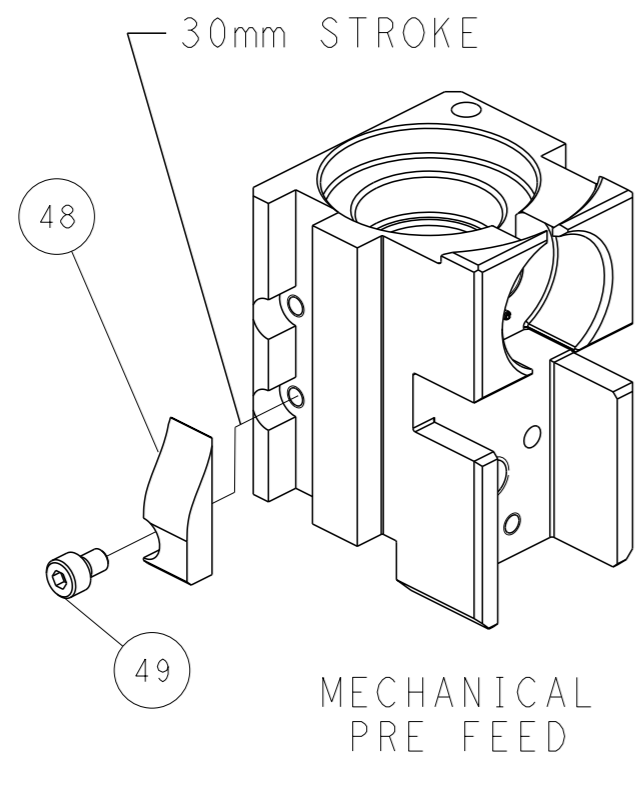


DETAIL A

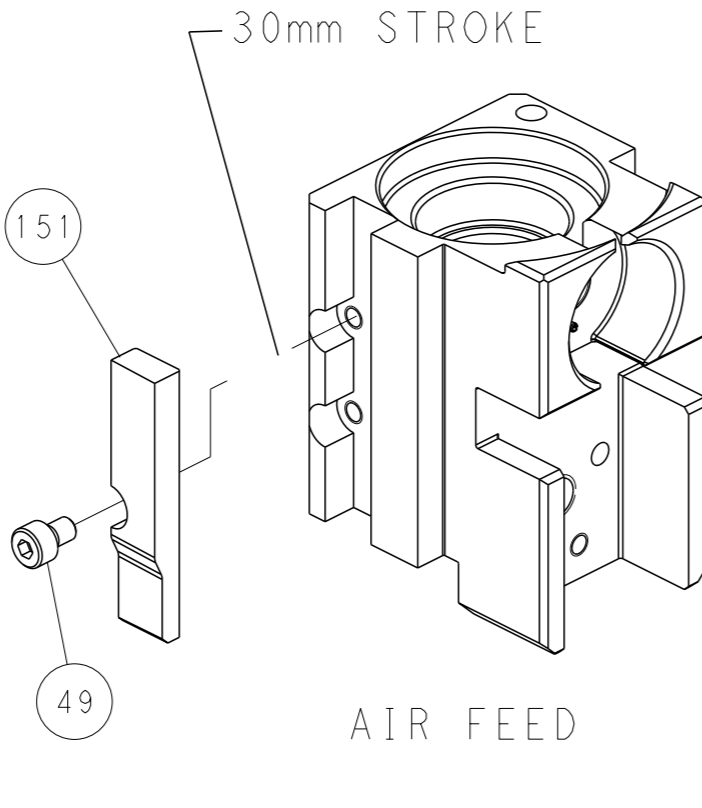
CAM POSITIONS



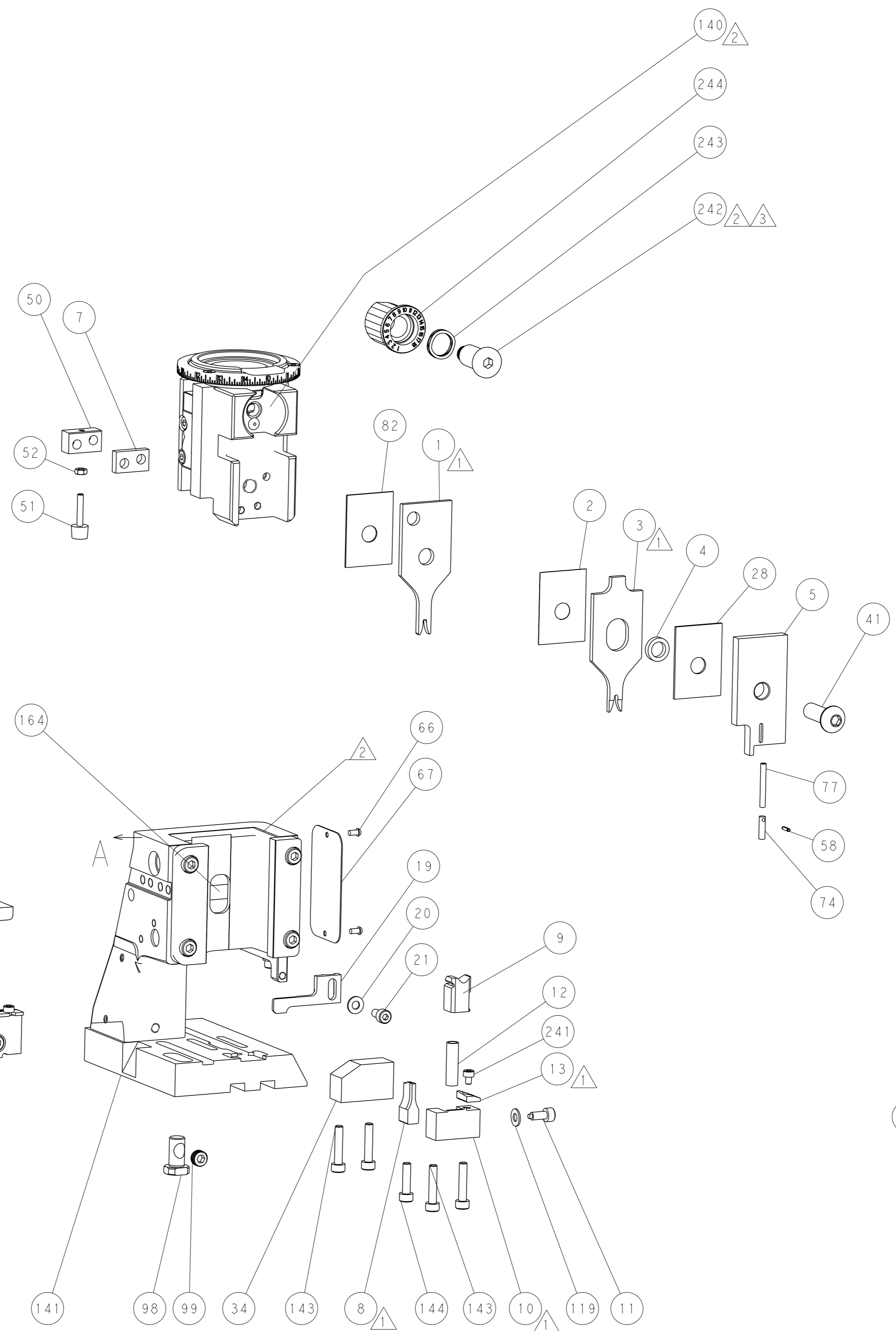
MECHANICAL POST FEED



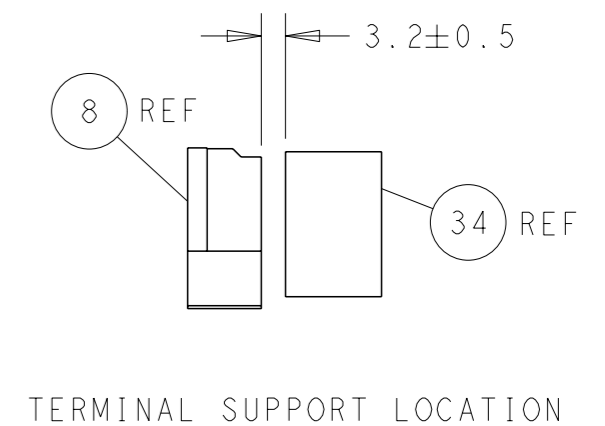
MECHANICAL PRE FEED



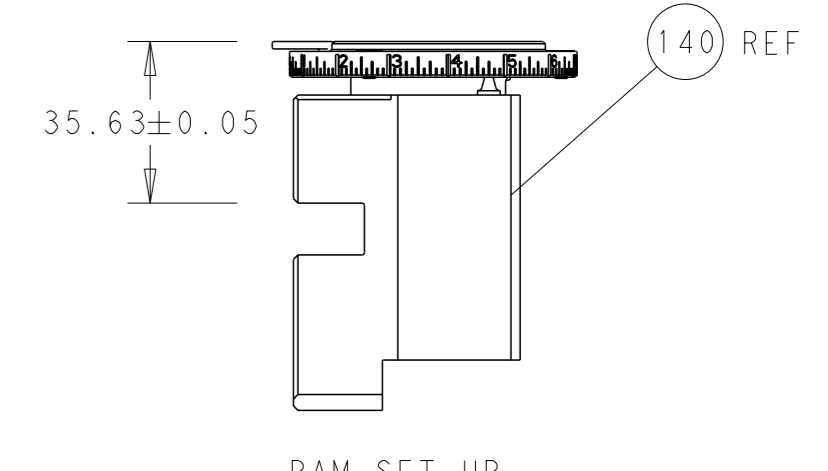
AIR FEED



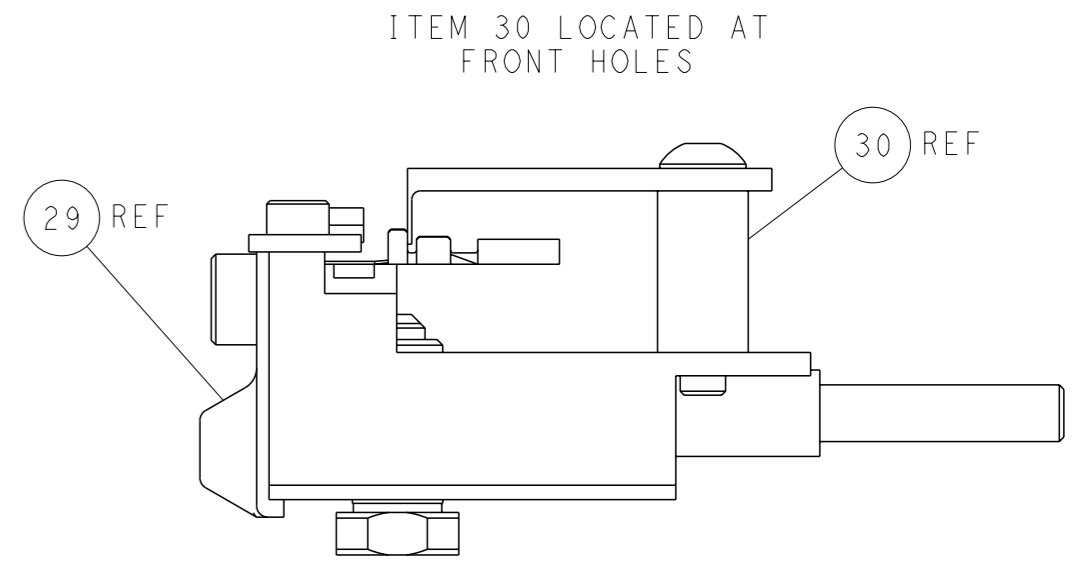
PACIFIC VERSION
 Shown on sheets 3 of 4 & 4 of 4
 (Atlantic version shown on sheets 1 of 4 & 2 of 4)



TERMINAL SUPPORT LOCATION



RAM SET-UP



FEED TRACK POSITION GUIDE BY INSULATION BARREL

DIMENSIONS: mm TOLERANCES UNLESS OTHERWISE SPECIFIED: 0 PLC ± 1 PLC ± 2 PLC ± 3 PLC ± 4 PLC ± ANGLES FINISH ±		OWN: BOB HIGMAN 18MAR2013 CHK: G. BAILEY 18MAR2013 APVD: M. CLIFFORD 18MAR2013 PRODUCT SPEC APPLICATION SPEC WEIGHT Customer Accessible Production Drawing	NAME: Ocean Side Feed Applicator SIZE: A1 CAGE CODE: 00779 DRAWING NO: 2151877 SCALE: 1:2 SHEET: 4 of 4 REV: C	RESTRICTED TO:
--	--	--	--	----------------