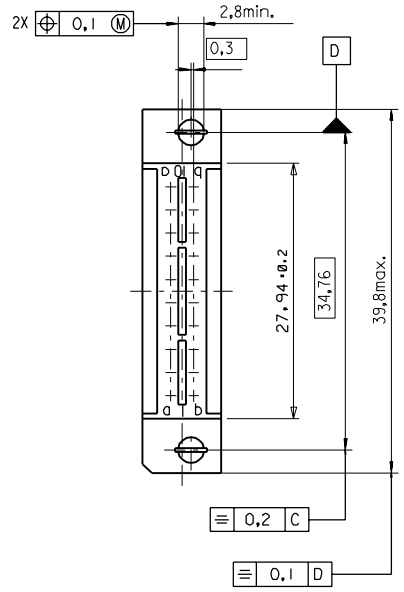
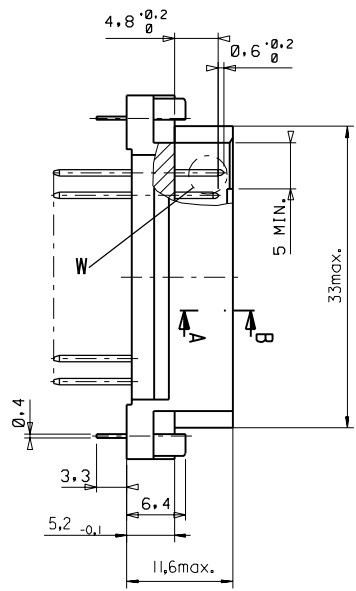
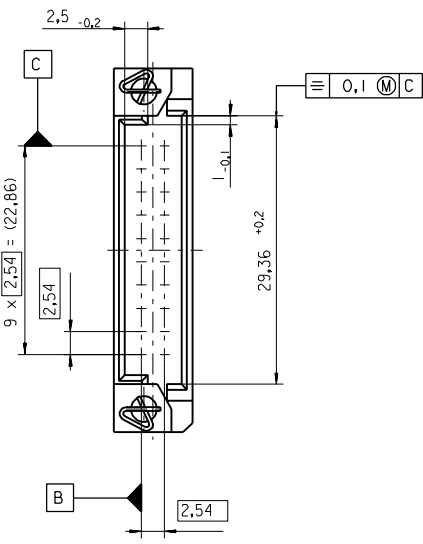
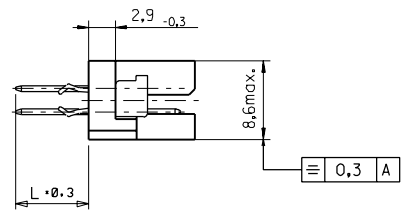
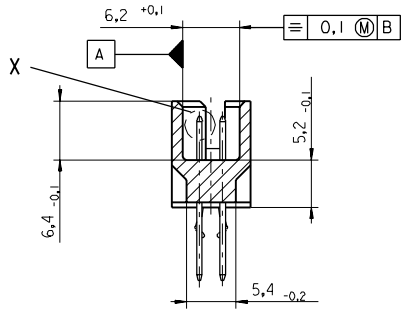
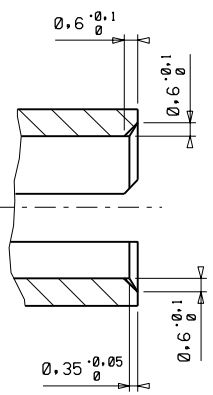
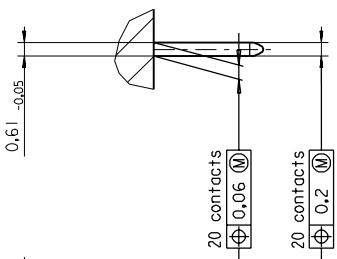


PART NO.
DWG. NO.

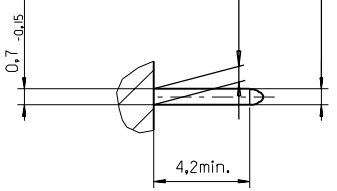
Section A - B
5:1



View X
5:1



View W
5:1



FIRST ANGLE PROJECTION		REVISE ONLY ON CAD SYSTEM		SH.	REV.
first release see ECN No. 1887	REVISIONS FOR PREVIOUS REVISIONS SEE MRI LIST	UNLESS OTHERWISE SPECIFIED TOLERANCES: ANGULAR ±2°	DRWG BY	CAD/CAM PROJECT NAME	
		INCH METRIC	Ca	8501000 611	THIS DRAWING CONTAINS INFORMATION THAT IS PROPRIETARY TO MOLEX INC. & SHOULD NOT BE USED WITHOUT WRITTEN PERMISSION
	3 PLACE ± . ±		CHK'D BY	TITLE	
	2 PLACE ± . ±		KN	20 pos. Male connector acc. DIN 41612 style Q/3 Dimensions	
	1 PLACE ± . ±		APP'D BY	SHEET NO. DATE	
	DRAFT WHERE APPLICABLE MUST REMAIN WITHIN DIMENSIONS			1 OF 95/06/08	
	DESIGN DIMENSION <input checked="" type="checkbox"/> MM		SCALE	MOLEX MOLEX EUROPE	
	EQUIVALENT DIMENSION <input type="checkbox"/> MM		2:1	PART NO. DWG NO. SIZE	
	IF TWO DIMENSIONS ARE SHOWN THE UPPER IS THE DESIGN DIMENSION, LOWER IS SECONDARY			SDA-85011-0001 B	