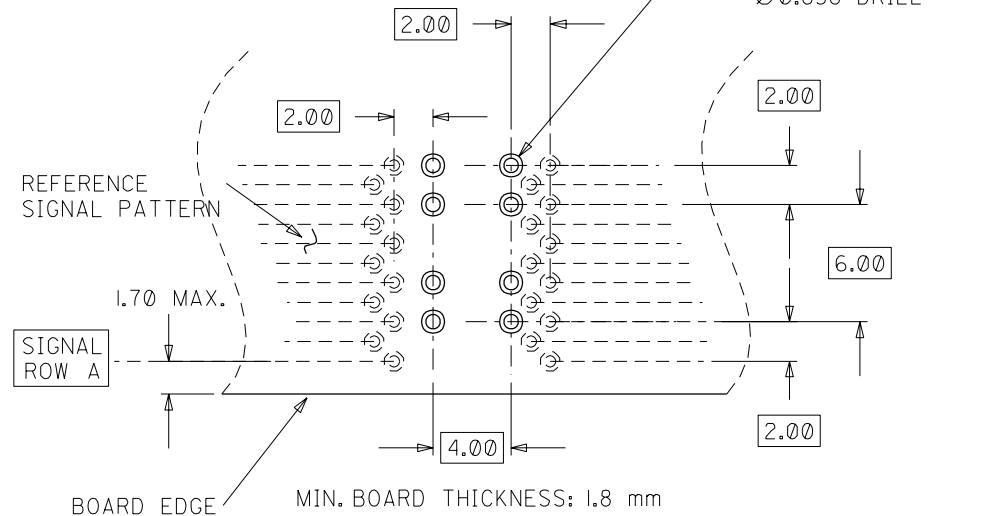
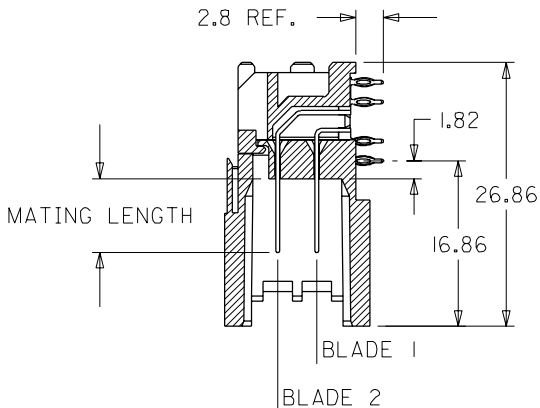
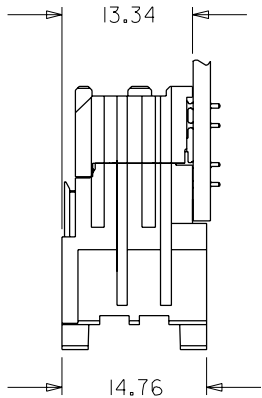
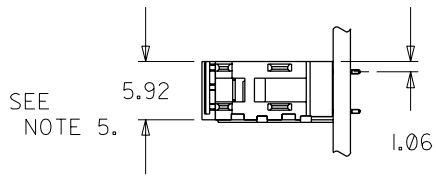
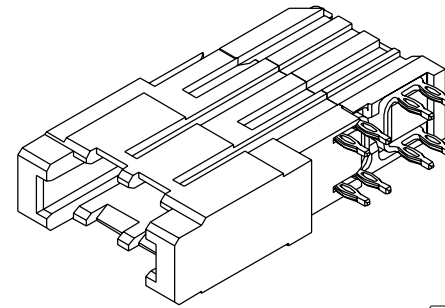


MATERIAL NUMBER ASSIGNMENT

74026 - 6 * * 0 SEE NOTE 2. & 3.

BLADE 1 MATING LENGTH	BLADE 2 MATING LENGTH
--------------------------	--------------------------

- | | |
|-------------|-------------|
| 1 = 7.5 mm | 1 = 7.5 mm |
| 2 = 9.0 mm | 2 = 9.0 mm |
| 3 = 10.5 mm | 3 = 10.5 mm |
| 4 = 12.0 mm | 4 = 12.0 mm |
| 6 = 7.5 mm | 6 = 7.5 mm |
| 7 = 9.0 mm | 7 = 9.0 mm |
| 8 = 10.5 mm | 8 = 10.5 mm |
| 9 = 12.0 mm | 9 = 12.0 mm |



NOTES:

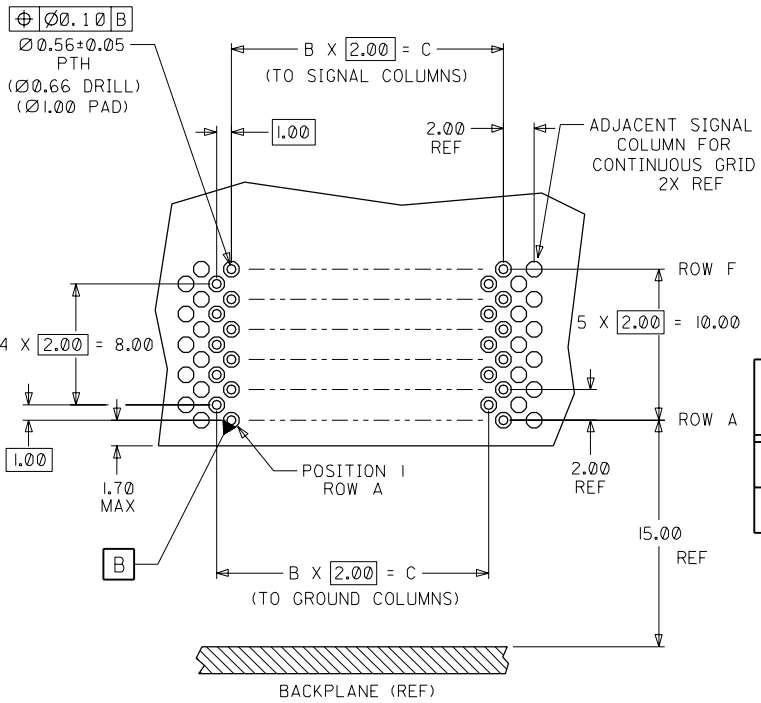
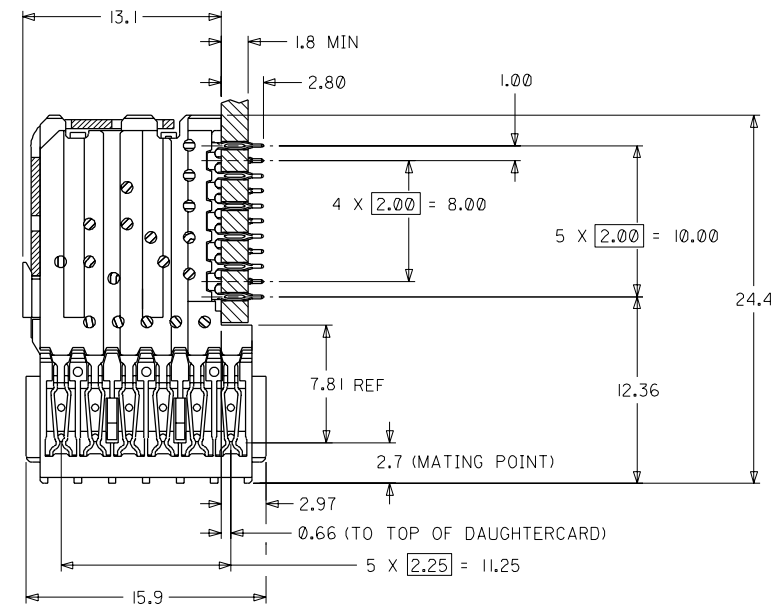
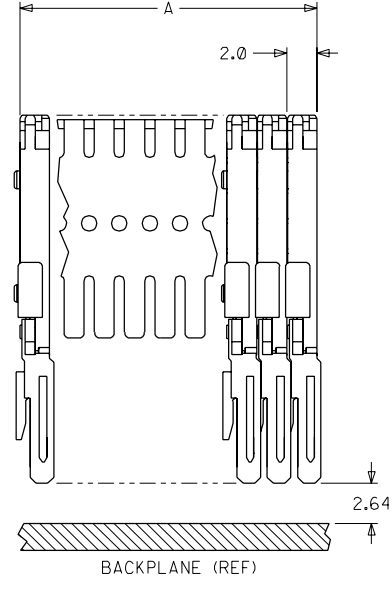
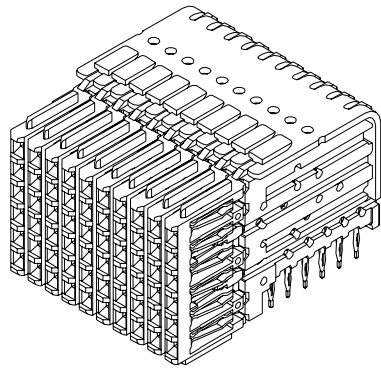
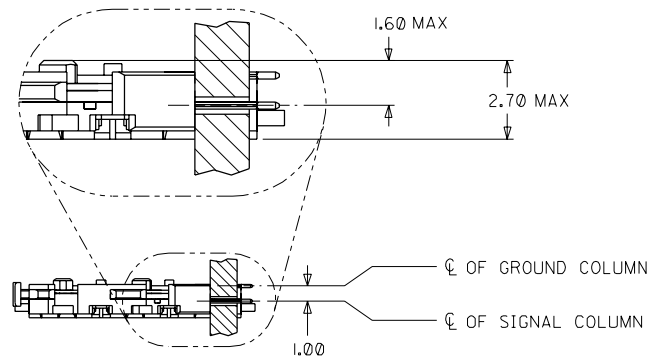
- MATERIALS:
HOUSING - LIQUID CRYSTAL POLYMER (LCP)
UL94 V-0 RATED, COLOR: BLACK
TERMINAL - COPPER ALLOY
- FINISH: SELECT GOLD ON MATING SURFACE, 30 microINCH THICK; TIN/LEAD ON TAILS; NICKEL OVERALL.
(WHEN * = 1, 2, 3, OR 4)
- FINISH: SELECT GOLD ON MATING SURFACE, 50 microINCH THICK; TIN/LEAD ON TAILS; NICKEL OVERALL.
(WHEN * = 6, 7, 8, OR 9)
- THIS PART CONFORMS TO PRODUCT SPECIFICATION PS-74031-999.
- PART SHOWN IS 74026-6110.
- USE 6.00 mm NOMINAL FOR DAUGHTERCARD LAYOUT.

REV	DESCRIPTION	QUALITY SYMBOLS	GENERAL TOLERANCES: (UNLESS SPECIFIED)		SCALE	DESIGN UNITS	THIRD ANGLE PROJECTION	DIMENSIONS:			SHT	REV
			mm	INCH				mm	INCH	mm ONLY		
D	ADD 50 GOLD P/N EC NO. UDT200-1-1333 DRWN: ELO 01/05/25 CHK: ELO 01/05/25 APPR: BIXLER 01/05/20	MAJOR = 0 CRITICAL = 0	4 PLACES ±0.	±.	NONE	mm <input checked="" type="checkbox"/> INCH <input type="checkbox"/>	<input type="checkbox"/> mm <input type="checkbox"/> INCH <input checked="" type="checkbox"/>					
			3 PLACES ±0.	±.								
			2 PLACES ±0.	±.								
			1 PLACE ±0.	±.								
			ANGULAR: ± 5 °									
			DRAFT WHERE APPLICABLE MUST REMAIN WITHIN DIMENSIONS									
			THIS DRAWING CONTAINS INFORMATION THAT IS PROPRIETARY TO MOLEX INCORPORATED AND SHOULD NOT BE USED WITHOUT WRITTEN PERMISSION.									
			CAD FILENAME SD-74026-001.S01									
			DRAWN BY & DATE ELO 98/10/15									
			CHECKED BY & DATE BREARLEY 98/10/21									
			APPROVED BY & DATE BIXLER 98/10/29									
			TITLE: VHDM POWER 6 ROW DAUGHTERCARD SALES ASSEMBLY									
			MATERIAL NO. SEE CHART									
			DRAWING NO. SD-74026-001									
			SHEET NO. 1 OF 1									
			SIZE B									

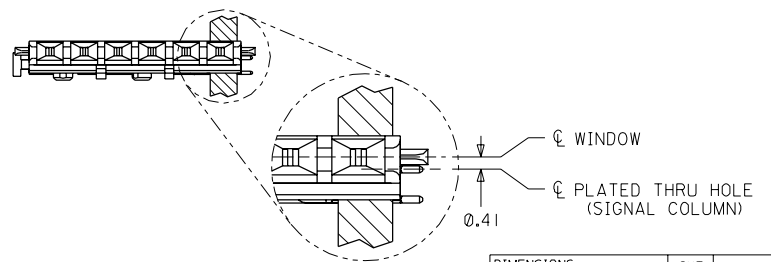
NOTES: (UNLESS OTHERWISE SPECIFIED)

1. MATERIALS: HOUSING - LIQUID CRYSTAL POLYMER (LCP), GLASS-FILLED, UL94V-0. TERMINALS - HIGH PERFORMANCE COPPER ALLOY.
2. FINISH: SELECTIVE GOLD (Au) IN CONTACT AREA, SELECTIVE TIN/LEAD (Sn/Pb) ON PCB TAILS, NICKEL (Ni) OVERALL.
3. REFER TO MOLEX PRODUCT SPECIFICATION PS-74031-999 FOR PERFORMANCE SPECIFICATIONS.
4. SIGNAL WAFERS SUPPLIED ON STAINLESS STEEL STIFFENER IN GROUPS OF 10 OR 25 ONLY.

MATERIAL NUMBER	MINIMUM GOLD PLATING	WAFER PLASTIC COLOR
74031-0001	0.00076mm (30uIN)	BLACK
74031-0051	0.00127mm (50uIN)	GRAY



NUMBER OF SIGNAL WAFERS	A	B	C
10	20.0	9	18.00
25	50.0	24	48.00



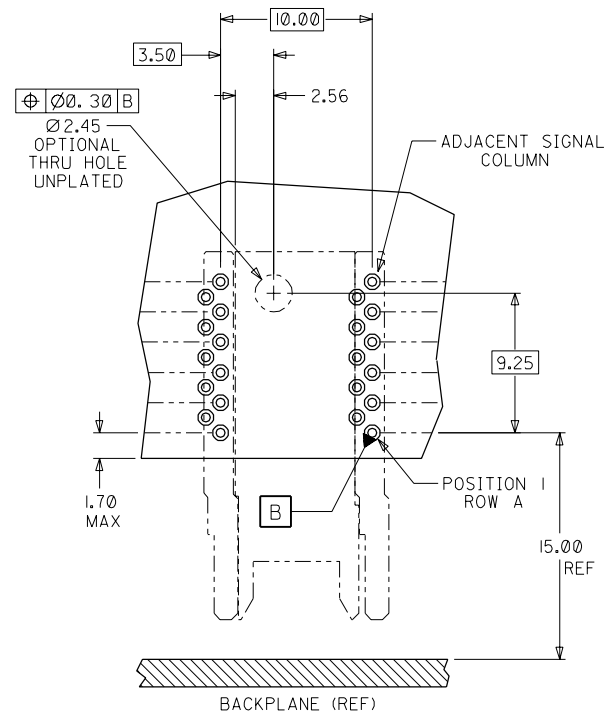
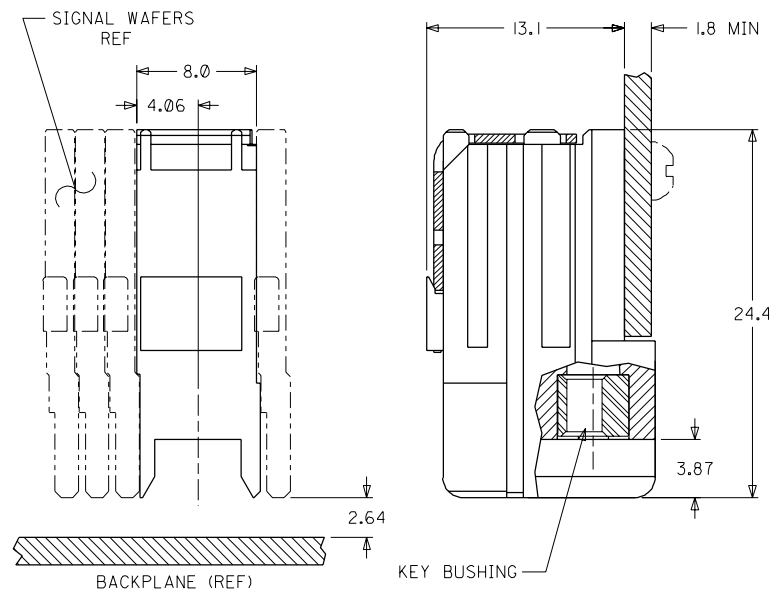
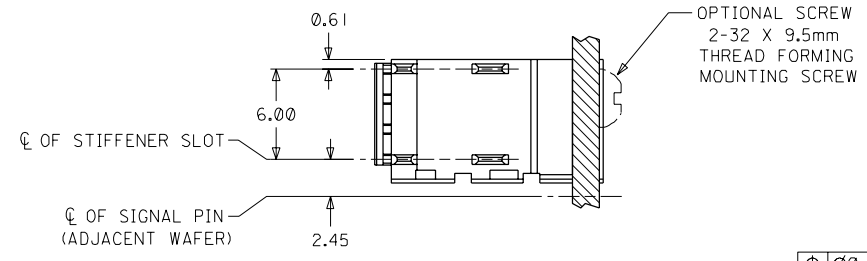
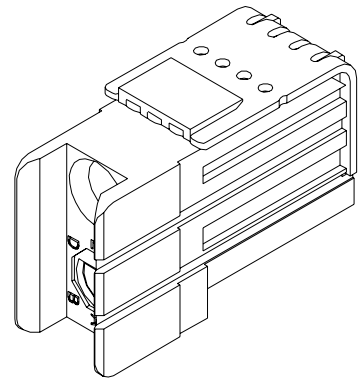
DAUGHTERCARD HOLE PATTERN (CONNECTOR SIDE)

ADD -0051 PART EC NO. UDT2001-1132 DRWN: LAURX 01/04/18 CHK: MARTIN 01/04/18 APPR: BIXLER 01/04/18	QUALITY SYMBOLS MAJOR ∇ CRITICAL ∇	GENERAL TOLERANCES: (UNLESS SPECIFIED) mm INCH		SCALE 4 : 1 DESIGN UNITS <input checked="" type="checkbox"/> mm <input type="checkbox"/> INCH	DIMENSIONS: <input type="checkbox"/> mm <input type="checkbox"/> INCH <input checked="" type="checkbox"/> mm ONLY	SHT REV REVISE ON CAD ONLY
		DRAWN BY & DATE LAURX 98/10/19		TITLE: VHDM DAUGHTERCARD 6 ROW SIGNAL WAFER SALES DRAWING		MOLEX MOLEX INCORPORATED
B	REV	CHECKED BY & DATE MQWANG 98/10/19		APPROVED BY & DATE BIXLER 98/10/19		SHEET NO. 1 OF 1
		ANGLAR: $\pm 2^\circ$		CAD FILENAME S7403102.DGN		
DRAFT WHERE APPLICABLE MUST REMAIN WITHIN DIMENSIONS		THIS DRAWING CONTAINS INFORMATION THAT IS PROPRIETARY TO MOLEX INCORPORATED AND SHOULD NOT BE USED WITHOUT WRITTEN PERMISSION.				SIZE C

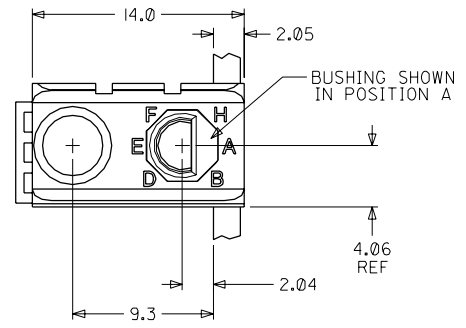
NOTES: (UNLESS OTHERWISE SPECIFIED)

1. MATERIALS: HOUSING - LIQUID CRYSTAL POLYMER (LCP), GLASS-FILLED, UL94V-0, BLACK.
KEY BUSHING - STAINLESS STEEL.
2. FINISH: NONE.
3. REFER TO MOLEX PRODUCT SPECIFICATION PS-74031-999 FOR PERFORMANCE SPECIFICATIONS.

MATERIAL NUMBER	BUSHING CLOCK POSITION	
74037-0006	NONE	
74037-6001	A	
74037-6002	B	
74037-6003	C	
74037-6004	D	
74037-6005	E	
74037-6006	F	
74037-6007	G	
74037-6008	H	



DAUGHTERCARD HOLE PATTERN (CONNECTOR SIDE)



INITIAL RELEASE EC NO. UDT 1999-00291 DRWN: LAURX 98/10/19 CHK: MQWANG 98/10/19 APPR: BIXLER 98/10/19	QUALITY SYMBOLS MAJOR CRITICAL	GENERAL TOLERANCES: (UNLESS SPECIFIED)		SCALE 4 : 1	DESIGN UNITS <input checked="" type="checkbox"/> mm <input type="checkbox"/> INCH	DIMENSIONS: <input type="checkbox"/> SHT <input type="checkbox"/> REV	
		mm	INCH	DRAWN BY & DATE LAURX 98/10/19		THIRD ANGLE PROJECTION <input type="checkbox"/> mm <input type="checkbox"/> INCH <input checked="" type="checkbox"/> mm ONLY	
		4 PLACES ±0. -- ±. --	3 PLACES ±0. -- ±. --	CHECKED BY & DATE MQWANG 98/10/19		TITLE: VHDM DAUGHTERCARD 6 ROW GUIDE MODULE SALES DRAWING	
		2 PLACES ±0.13 ±. --	1 PLACE ±0.25 ±. --	APPROVED BY & DATE BIXLER 98/10/19		MATERIAL NO. SEE CHART	
		ANGULAR: ± 2°		CAD FILENAME S7403705.DGN	DRAWING NO. SD-74037-005	SHEET NO. 1 OF 1	
A	REV	DRAFT WHERE APPLICABLE MUST REMAIN WITHIN DIMENSIONS		THIS DRAWING CONTAINS INFORMATION THAT IS PROPRIETARY TO MOLEX INCORPORATED AND SHOULD NOT BE USED WITHOUT WRITTEN PERMISSION.			