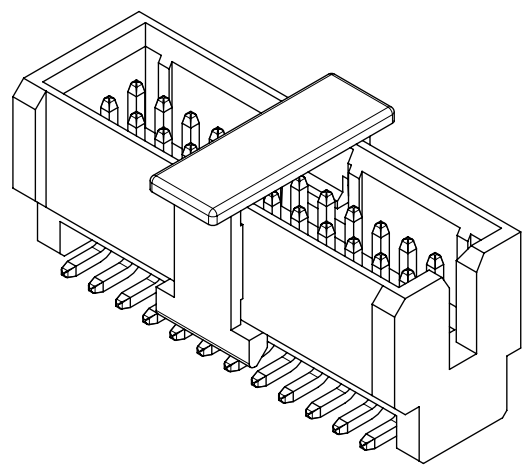
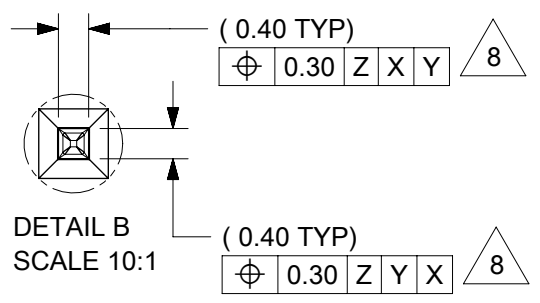
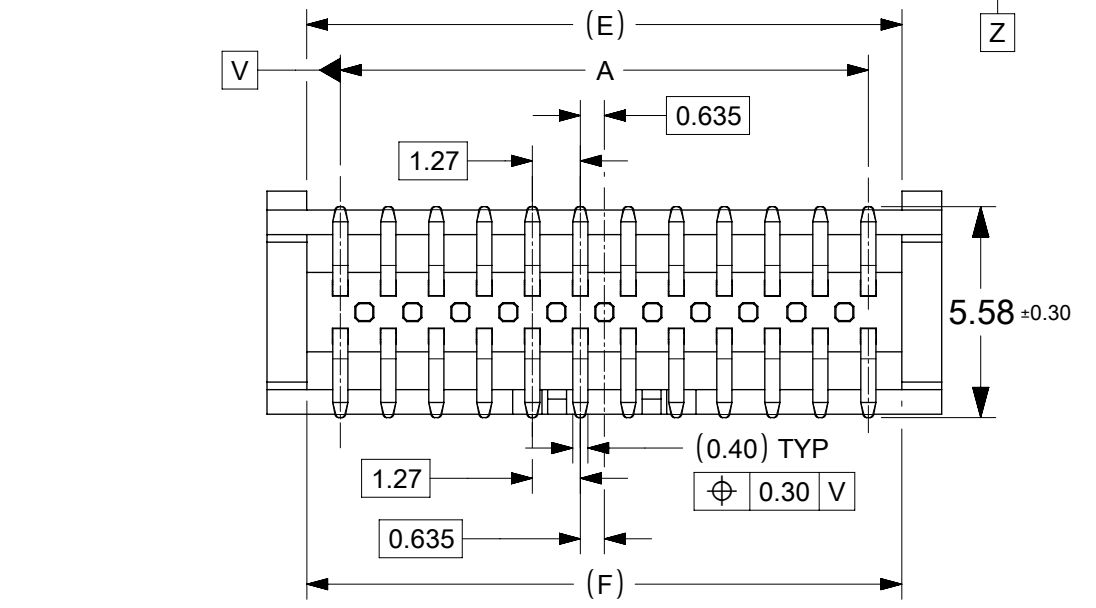
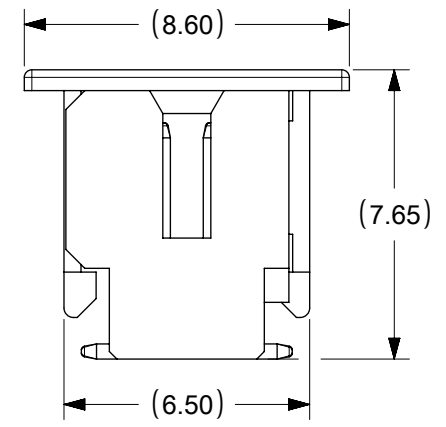
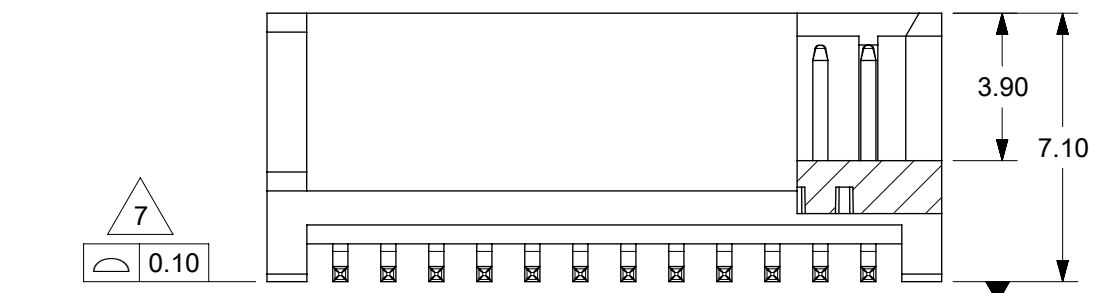
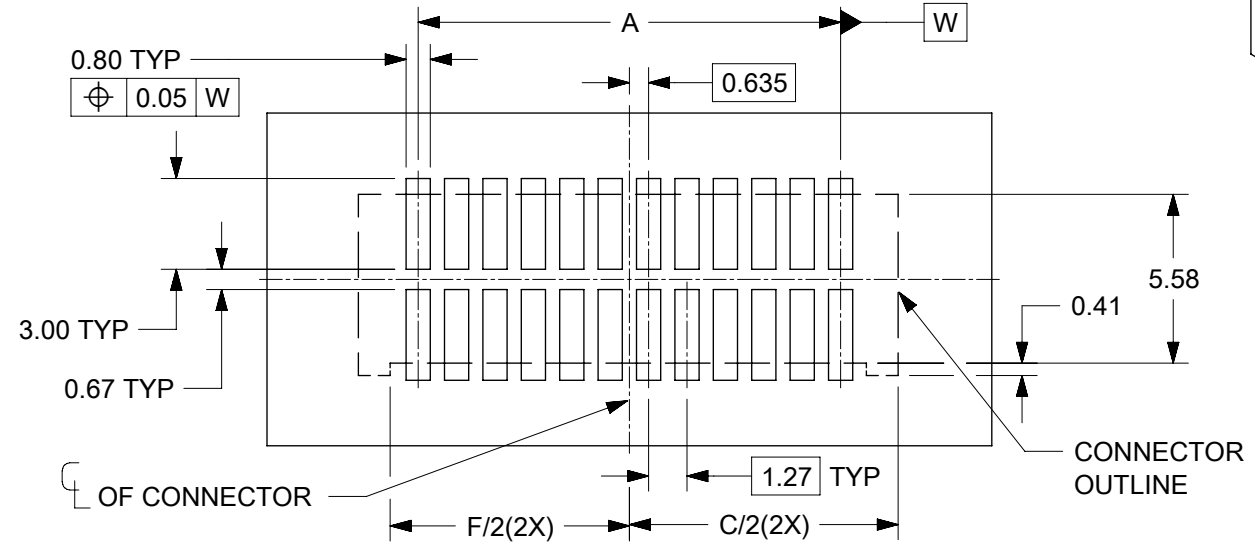


CKT SIZE	DIMENSION					
	A	B	C	D	E	F
4	1.27	3.25	5.15	-	3.05	3.04
6	2.54	4.52	6.42	4.85	4.32	4.31
8	3.81	5.79	7.69	4.85	5.59	5.58
10	5.08	7.06	8.96	4.85	6.86	6.85
12	6.35	8.33	10.23	4.85	8.13	8.12
14	7.62	9.60	11.50	4.85	9.40	9.39
16	8.89	10.87	12.77	4.85	10.67	10.66
18	10.16	12.14	14.04	4.85	11.94	11.93
20	11.43	13.41	15.31	4.85	13.21	13.20
22	12.70	14.68	16.58	4.85	14.48	14.47
24	13.97	15.95	17.85	4.85	15.75	15.74



- NOTES:
- FOR ILLUSTRATION PURPOSES, 24 CIRCUIT SIZE WAFER IS SHOWN.
 - MATERIAL :
HOUSING : LIQUID CRYSTALLINE POLYMER (LCP), GLASS-FILLED UL94V-0, BLACK
BANDOLIER PIN : COPPER ALLOY, 0.40MM SQ. PIN
PICK AND PLACE CAP: POLYAMIDE (PA), GLASS-FILLED, UL94V-0, BLACK
 - FINISHES: SEE SHEET 2
 - PRODUCT SPECIFICATION: 2009890001 (PS)
 - PACKAGING SPECIFICATION: 2009890001(PK)
 - MATES WITH: 78120 SERIES
 - COPLANARITY IS TO BE MEASURED BY RESTING THE SOLDER TAIL ON A GAUGE SURFACE
 - POSITIONING TO BE CONTROLLED BASED ON PIN TIP
 - BEND DEPRESSION ON SMT TAIL IS ACCEPTABLE SO LONG AS IT DOES NOT AFFECT THE OVERALL COPLANARITY OF THE TAIL.
 - PARTS CONFORMS TO CLASS "B" REQUIREMENT OF COSMETIC SPECIFICATION PS-45499-002
 - MOLEX LOGO AND CAVITY LOCATED AS SHOWN.
 - NON-FUNCTIONAL CORING IS SUBJECTED TO CHANGES WITHOUT NOTICE.
 - THE ABOVE 24 CKT SHOWN IS FOR ILLUSTRATION ONLY.



RECOMMENDED PCB LAYOUT TOLERANCE ±0.05

THIS DRAWING CONTAINS INFORMATION THAT IS PROPRIETARY TO MOLEX ELECTRONIC TECHNOLOGIES, LLC AND SHOULD NOT BE USED WITHOUT WRITTEN PERMISSION		CURRENT REV DESC: REMASTERED & BTB DISTANCE UPDATE		molex	
DIMENSION UNITS	SCALE				
mm	NTS			1.27MM PITCH SLIM-GRID VERTICAL SMT SHROUDED HEADER	
GENERAL TOLERANCES (UNLESS SPECIFIED)				PRODUCT CUSTOMER DRAWING	
ANGULAR TOL	± 3.0°			DOCUMENT NUMBER	
4 PLACES	±	EC NO: 664214	2021/05/07	2009890024	
3 PLACES	±	DRWN: KSUTAR	2021/05/18	DOC TYPE	DOC PART
2 PLACES	± 0.2	CHK'D: ABABUPS	2021/05/18	PSD	000
1 PLACE	±	APPR: MRAMAKRISHNA	2021/05/18	A4	
0 PLACES	±	INITIAL REVISION:		SHEET NUMBER	
DRAFT WHERE APPLICABLE MUST REMAIN WITHIN DIMENSIONS		DRWN: SCHEONG	2016/01/15	1 OF 3	
THIRD ANGLE PROJECTION		APPR: KHLIM	2016/11/24		
DRAWING		SERIES	MATERIAL NUMBER	CUSTOMER	
A3-SIZE		200989	SEE TABLE	GENERAL MARKET	

CKT SIZE	ASSEMBLY WITHOUT CAP IN TUBE P/N	ASSEMBLY WITH CAP IN TUBE P/N	ASSEMBLY WITH CAP IN T&R P/N
4	200989-0004	200989-1004	200989-2004
	200989-0104	200989-1104	200989-2104
	200989-0204	200989-1204	200989-2204
6	200989-0006	200989-1006	200989-2006
	200989-0106	200989-1106	200989-2106
	200989-0206	200989-1206	200989-2206
8	200989-0008	200989-1008	200989-2008
	200989-0108	200989-1108	200989-2108
	200989-0208	200989-1208	200989-2208
10	200989-0010	200989-1010	200989-2010
	200989-0110	200989-1110	200989-2110
	200989-0210	200989-1210	200989-2210
12	200989-0012	200989-1012	200989-2012
	200989-0112	200989-1112	200989-2112
	200989-0212	200989-1212	200989-2212
14	200989-0014	200989-1014	200989-2014
	200989-0114	200989-1114	200989-2114
	200989-0214	200989-1214	200989-2214
16	200989-0016	200989-1016	200989-2016
	200989-0116	200989-1116	200989-2116
	200989-0216	200989-1216	200989-2216
18	200989-0018	200989-1018	200989-2018
	200989-0118	200989-1118	200989-2118
	200989-0218	200989-1218	200989-2218
20	200989-0020	200989-1020	200989-2020
	200989-0120	200989-1120	200989-2120
	200989-0220	200989-1220	200989-2220
22	200989-0022	200989-1022	200989-2022
	200989-0122	200989-1122	200989-2122
	200989-0222	200989-1222	200989-2222
24	200989-0024	200989-1024	200989-2024
	200989-0124	200989-1124	200989-2124
	200989-0224	200989-1224	200989-2224



LEGEND

200989 - X X X X

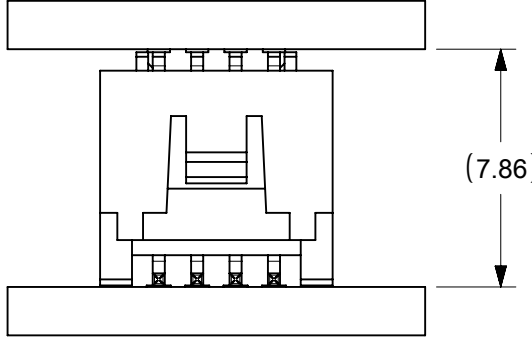
CKT SIZE
 04 = 4 CKTS
 .
 24 = 24 CKTS


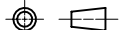
FINISHES
 0 = 0.05um Au MIN. GOLD ON CONTACT
 AND 2.00um MIN. MATTE TIN ON SOLDERTAIL
 OVER 1.27um MIN. NICKEL UNDERPLATE OVERALL
 1 = 0.38um Au MIN. GOLD ON CONTACT
 AND 2.00um MIN. MATTE TIN ON SOLDERTAIL
 OVER 1.27um MIN. NICKEL UNDERPLATE OVERALL
 2 = 0.76um Au MIN. GOLD ON CONTACT
 AND 2.00um MIN. MATTE TIN ON SOLDERTAIL
 OVER 1.27um MIN. NICKEL UNDERPLATE OVERALL

PACKAGING AND CAP OPTION
 0 = TUBE & WITHOUT CAP
 1 = TUBE & WITH CAP
 2 = TAPE & REEL (T&R) (NOT TOOLED)

THIS DRAWING CONTAINS INFORMATION THAT IS PROPRIETARY TO MOLEX ELECTRONIC TECHNOLOGIES, LLC AND SHOULD NOT BE USED WITHOUT WRITTEN PERMISSION										
DIMENSION UNITS	SCALE	CURRENT REV DESC: REMASTERED & BTB DISTANCE UPDATE								
mm	NTS									
GENERAL TOLERANCES (UNLESS SPECIFIED)		EC NO: 664214			1.27MM PITCH SLIM-GRID VERTICAL SMT SHROUDED HEADER					
ANGULAR TOL	± 3.0 °	DRWN: KSUTAR 2021/05/07			PRODUCT CUSTOMER DRAWING					
4 PLACES	±	CHK'D: ABABUPS 2021/05/18			DOCUMENT NUMBER					
3 PLACES	±	APPR: MRAMAKRISHNA 2021/05/18			2009890024			DOC TYPE	DOC PART	REVISION
2 PLACES	± 0.2	INITIAL REVISION:						PSD	000	A4
1 PLACE	±	DRWN: SCHEONG 2016/01/15								
0 PLACES	±	APPR: KHLIM 2016/11/24								
DRAFT WHERE APPLICABLE MUST REMAIN WITHIN DIMENSIONS	THIRD ANGLE PROJECTION	DRAWING	SERIES	MATERIAL NUMBER	CUSTOMER	SHEET NUMBER				
		A3-SIZE	200989	SEE TABLE	GENERAL MARKET	2 OF 3				

BOARD TO BOARD (BTB) DISTANCE

HEADER	MATES WITH (RECEPTACLE)	BTB DIST.	PICTORIAL VIEW
200989	78120	7.86	

THIS DRAWING CONTAINS INFORMATION THAT IS PROPRIETARY TO MOLEX ELECTRONIC TECHNOLOGIES, LLC AND SHOULD NOT BE USED WITHOUT WRITTEN PERMISSION										
DIMENSION UNITS	SCALE	CURRENT REV DESC: REMASTERED & BTB DISTANCE UPDATE								
mm	NTS									
GENERAL TOLERANCES (UNLESS SPECIFIED)		EC NO: 664214				1.27MM PITCH SLIM-GRID VERTICAL SMT SHROUDED HEADER				
ANGULAR TOL ± 3.0 °		DRWN: KSUTAR 2021/05/07				PRODUCT CUSTOMER DRAWING				
4 PLACES ±		CHK'D: ABABUPS 2021/05/18				DOCUMENT NUMBER				
3 PLACES ±		APPR: MRAMAKRISHNA 2021/05/18				2009890024				
2 PLACES ± 0.2		INITIAL REVISION:				DOC TYPE		DOC PART		REVISION
1 PLACE ±		DRWN: SCHEONG 2016/01/15				PSD		000		A4
0 PLACES ±		APPR: KHLIM 2016/11/24				MATERIAL NUMBER		CUSTOMER		SHEET NUMBER
DRAFT WHERE APPLICABLE MUST REMAIN WITHIN DIMENSIONS		THIRD ANGLE PROJECTION		DRAWING	SERIES	MATERIAL NUMBER	CUSTOMER		SHEET NUMBER	
				A3-SIZE	200989	SEE TABLE	GENERAL MARKET		3 OF 3	

DOCUMENT STATUS	P1	RELEASE DATE	2021/05/18	14:42:58
-----------------	----	--------------	------------	----------