

SACB-8/16-M23 P12 SH - Sensor/actuator box



1155996

<https://www.phoenixcontact.com/us/products/1155996>

Please be informed that the data shown in this PDF document is generated from our online catalog. Please find the complete data in the user documentation. Our general terms of use for downloads are valid.



Sensor/actuator box, application: Standard, connection method: M12 socket Metal, number of slots: 8, number of positions: 5, coding: A, slot assignment: Double, status display: No, Universal; master cable connection: M23 plug connection 180°, shielding: yes

Your advantages

- Safety in the field, thanks to molded housing and high degree of protection
- Save space: distributor box with double occupancy for two sensors in one slot
- Reliable signal transmission – 360° shielding in environments with electromagnetic interference

Commercial data

Item number	1155996
Packing unit	1 pc
Minimum order quantity	1 pc
Sales key	BF43
Product key	BF3CDB
GTIN	4063151158835
Weight per piece (including packing)	603.5 g
Weight per piece (excluding packing)	554 g
Customs tariff number	85366990
Country of origin	DE

SACB-8/16-M23 P12 SH - Sensor/actuator box



1155996

<https://www.phoenixcontact.com/us/products/1155996>

Technical data

Notes

General	Not suitable for M12 push-pull connectors.
General	NOTE: Observe the permissible bending radii when laying conductors, since the degree of protection may be put in jeopardy if the bending forces are too high. Alleviate mechanical loads upstream of the connector, e.g. by using cable ties.
General	Unused slots are to be sealed off prior to commissioning. Suitable sealing elements are to be found under "Accessories".

Product properties

Product type	Distributor boxes with M8 to M12 slots
Number of positions	5
Application	Standard
Number of slots	8
Coding	A

Material specifications

Material	Die-cast zinc
	Die-cast zinc
	PUR
Flammability rating according to UL 94	V0
Seal material O-ring	FKM
Contact material	Cu alloy
Contact surface material	gold-plated
Contact carrier material	PA
Material of contact, master cable side	CU alloy
Material of the contact carrier on the master cable side	PBT
Material of contact surface, master cable side	gold-plated

Dimensions

Dimensional drawing	
Width	58 mm
Height	36 mm
Length	160 mm

Connection data

SACB-8/16-M23 P12 SH - Sensor/actuator box



1155996

<https://www.phoenixcontact.com/us/products/1155996>

Conductor connection

Connection method	M23 plug connection
Tightening torque slot sensor/actuator cable	0.4 Nm

Pin assignment

Slot/position = Wire color or connection	1 / 4 (A) = 15
	1 / 2 (B) = 7
	2 / 4 (A) = 5
	2 / 2 (B) = 4
	3 / 4 (A) = 16
	3 / 2 (B) = 8
	4 / 4 (A) = 3
	4 / 2 (B) = 14
	5 / 4 (A) = 17
	5 / 2 (B) = 9
	6 / 4 (A) = 2
	6 / 2 (B) = 13
	7 / 4 (A) = 11
	7 / 2 (B) = 10
	8 / 4 (A) = 1
	8 / 2 (B) = 18
1-8 / 1 (+ 48 V) = 19	
1-8 / 3 (0 V) = 6	
1-8 / 5 (PE) = 12	

Signaling

Status display present	No
------------------------	----

Electrical properties

Nominal voltage U_N	48 V AC
	60 V DC
Rated current, total	10 A (up to 40 °C)
Max. current carrying capacity per path	2 A
Current carrying capacity per slot	4 A

Cable/line

Sensor/actuator connection system	M12 socket
Connection method	M23 plug connection
Tightening torque slot sensor/actuator cable	0.4 Nm

Standards and regulations

M12

Standard designation	M12 connector
Standards/specifications	IEC 61076-2-101

SACB-8/16-M23 P12 SH - Sensor/actuator box



1155996

<https://www.phoenixcontact.com/us/products/1155996>

Environmental and real-life conditions

Ambient conditions

Degree of protection	IP65
Ambient temperature (operation)	-25 °C ... 70 °C

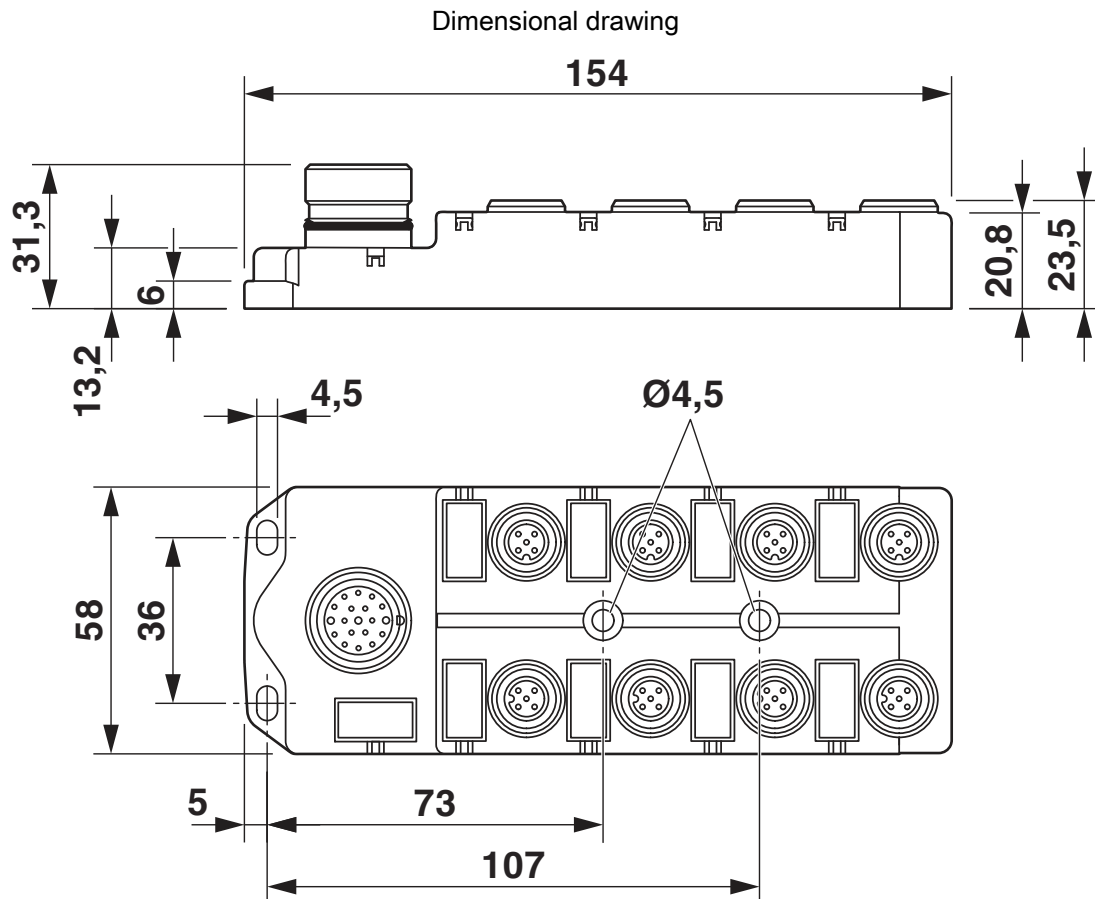
SACB-8/16-M23 P12 SH - Sensor/actuator box



1155996

<https://www.phoenixcontact.com/us/products/1155996>

Drawings

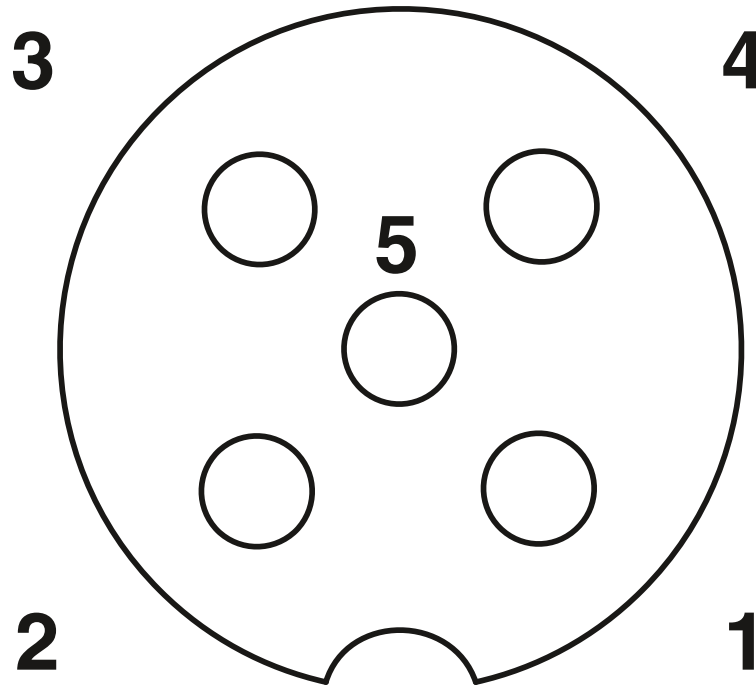


SACB-8/16-M23 P12 SH - Sensor/actuator box

1155996

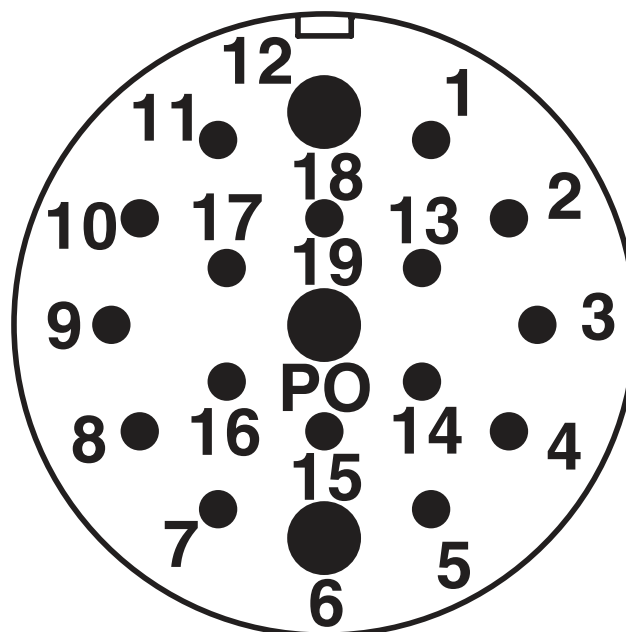
<https://www.phoenixcontact.com/us/products/1155996>

Schematic diagram



M12 slot, socket, 5-pos.

Schematic diagram



M23 plug connection pin, 19-pos.

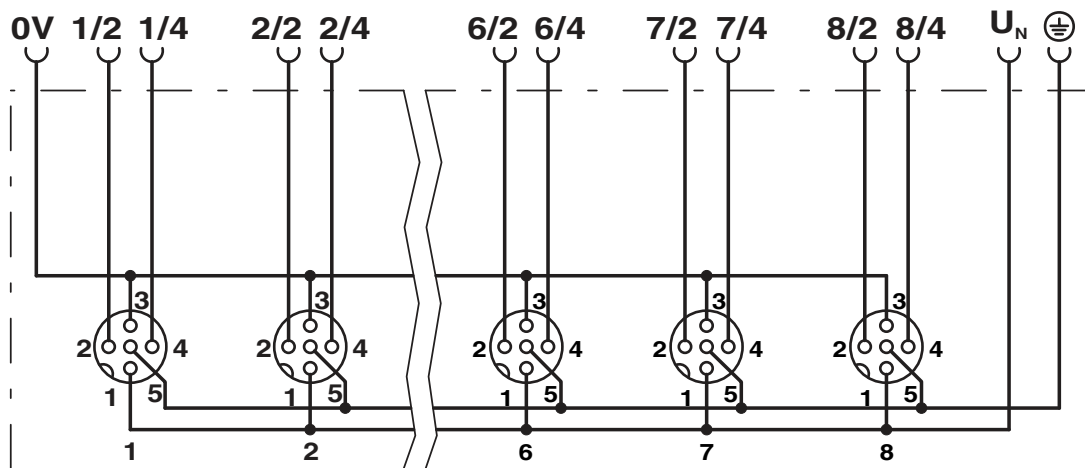
SACB-8/16-M23 P12 SH - Sensor/actuator box



1155996

<https://www.phoenixcontact.com/us/products/1155996>

Circuit diagram



SACB-8/16-M23 P12 SH - Sensor/actuator box



1155996

<https://www.phoenixcontact.com/us/products/1155996>

Classifications

ECLASS

ECLASS-11.0	27440111
ECLASS-12.0	27440111
ECLASS-13.0	27440111

ETIM

ETIM 8.0	EC003558
----------	----------

UNSPSC

UNSPSC 21.0	31251500
-------------	----------

SACB-8/16-M23 P12 SH - Sensor/actuator box



1155996

<https://www.phoenixcontact.com/us/products/1155996>

Environmental product compliance

REACH SVHC	Lead 7439-92-1
China RoHS	Environmentally Friendly Use Period = 50 years
	For information on hazardous substances, refer to the manufacturer's declaration available under "Downloads"

SACB-8/16-M23 P12 SH - Sensor/actuator box



1155996

<https://www.phoenixcontact.com/us/products/1155996>

Accessories

PROT M12 MS PWR - Screw plug

1092802

<https://www.phoenixcontact.com/us/products/1092802>



An M12 screw plug for the unoccupied M12 females of the M12 POWER connectors, boxes, and flush-type connectors

UC-EM (17,5X9) - Snap-in markers

0827490

<https://www.phoenixcontact.com/us/products/0827490>



Snap-in markers, Sheet, white, unlabeled, can be labeled with: BLUEMARK ID, BLUEMARK ID COLOR, BLUEMARK CLED, BLUEMARK LED, CMS-P1-PLOTTER, PLOTMARK, mounting type: snapped, lettering field size: 17.5 x 9 mm, Number of individual labels: 20

SACB-8/16-M23 P12 SH - Sensor/actuator box



1155996

<https://www.phoenixcontact.com/us/products/1155996>

UC-EM (17,5X9) CUS - Snap-in markers

0828238

<https://www.phoenixcontact.com/us/products/0828238>



Snap-in markers, can be ordered: by sheet, white, labeled according to customer specifications, mounting type: snapped into marker carrier, lettering field size: 17.5 x 9 mm, Number of individual labels: 20

UCT-EM (17,5X9) - Snap-in markers

0801491

<https://www.phoenixcontact.com/us/products/0801491>



Snap-in markers, Sheet, white, unlabeled, can be labeled with: TOPMARK NEO, TOPMARK LASER, BLUEMARK ID COLOR, BLUEMARK ID, BLUEMARK CLED, THERMOMARK PRIME, THERMOMARK CARD 2.0, THERMOMARK CARD, mounting type: snapped, lettering field size: 17.5 x 9 mm, Number of individual labels: 24

SACB-8/16-M23 P12 SH - Sensor/actuator box



1155996

<https://www.phoenixcontact.com/us/products/1155996>

UCT-EM (17,5X9) CUS - Snap-in markers

0801575

<https://www.phoenixcontact.com/us/products/0801575>

UniCard sheet, for labeling devices from other manufacturers, for overview table see download area, labeled according to customer specifications

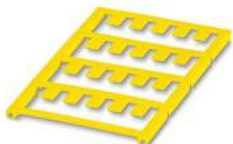


UC-EM (17,5X9) YE - Snap-in markers

0827494

<https://www.phoenixcontact.com/us/products/0827494>

Snap-in markers, Sheet, yellow, unlabeled, can be labeled with: BLUEMARK ID COLOR, BLUEMARK ID, BLUEMARK CLED, PLOTMARK, CMS-P1-PLOTTER, mounting type: snapped, lettering field size: 17.5 x 9 mm, Number of individual labels: 20



SACB-8/16-M23 P12 SH - Sensor/actuator box

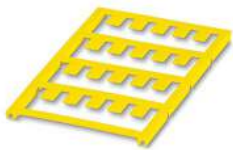
1155996

<https://www.phoenixcontact.com/us/products/1155996>

UC-EM (17,5X9) YE CUS - Snap-in markers

0828239

<https://www.phoenixcontact.com/us/products/0828239>



Snap-in markers, can be ordered: by sheet, yellow, labeled according to customer specifications, mounting type: snapped into marker carrier, lettering field size: 17.5 x 9 mm, Number of individual labels: 20

UCT-EM (17,5X9) YE - Snap-in markers

0801492

<https://www.phoenixcontact.com/us/products/0801492>



Snap-in markers, Sheet, yellow, unlabeled, can be labeled with: TOPMARK NEO, TOPMARK LASER, BLUEMARK ID COLOR, BLUEMARK ID, BLUEMARK CLED, THERMOMARK PRIME, THERMOMARK CARD 2.0, THERMOMARK CARD, mounting type: snapped, lettering field size: 17.5 x 9 mm, Number of individual labels: 24

SACB-8/16-M23 P12 SH - Sensor/actuator box



1155996

<https://www.phoenixcontact.com/us/products/1155996>

UCT-EM (17,5X9) YE CUS - Snap-in markers

0801576

<https://www.phoenixcontact.com/us/products/0801576>

UniCard sheet, for labeling devices from other manufacturers, for overview table see download area, labeled according to customer specifications



RCK-TWGM/BL16+3/ 5,0PUR SH - Master cable

1519529

<https://www.phoenixcontact.com/us/products/1519529>



Master cable, application: Sensor/actuator box, connection method: M12 socket Metal, number of positions: 19, slot assignment: Double, status display: No; master cable connection: M23 plug connection, PUR/PVC, cable length: 5 m, shielding: yes, Alternative product in accordance with RoHS II without Exemption 6c (Pb <0.1%) item no.: 1260760

SACB-8/16-M23 P12 SH - Sensor/actuator box



1155996

<https://www.phoenixcontact.com/us/products/1155996>

RCK-TWGM/BL16+3/10,0PUR SH - Master cable

1511828

<https://www.phoenixcontact.com/us/products/1511828>



Master cable, application: Sensor/actuator box, connection method: M12 socket Metal, number of positions: 19, slot assignment: Double, status display: No; master cable connection: M23 plug connection, PUR/PVC, cable length: 10 m, shielding: yes, Alternative product in accordance with RoHS II without Exemption 6c (Pb <0.1%) item no.: 1260759

RC/TGGM/KVD/LBL 16+3 - Cable connector

1685505

<https://www.phoenixcontact.com/us/products/1685505>



Cable connector, number of positions: 19, status display: No; master cable connection: M23 screw locking, shielding: yes, Alternative product in accordance with RoHS II without Exemption 6c (Pb <0.1%) item no.: 1245650

SACB-8/16-M23 P12 SH - Sensor/actuator box



1155996

<https://www.phoenixcontact.com/us/products/1155996>

RC/TWGM/KVD/LBL 16+3 - Cable connector

1685518

<https://www.phoenixcontact.com/us/products/1685518>

Cable connector, number of positions: 19, status display: No; master cable connection: M23 screw locking, shielding: yes, Alternative product in accordance with RoHS II without Exemption 6c (Pb <0.1%) item no.: 1245651



PLUSCON-RCS - Pipe spanner

1665062

<https://www.phoenixcontact.com/us/products/1665062>

Pipe spanner



SACB-8/16-M23 P12 SH - Sensor/actuator box

1155996

<https://www.phoenixcontact.com/us/products/1155996>

MSK 1 - Metal protective cap

1665897

<https://www.phoenixcontact.com/us/products/1665897>



Metal protective cap, degree of protection: IP67, when in locked state, color: silver, Alternative product in accordance with RoHS II without Exemption 6c (Pb <0.1%) item no.: 1245640

MSK 2 - Protective cap

1665907

<https://www.phoenixcontact.com/us/products/1665907>



Protective cap, degree of protection: IP67, when in locked state, color: silver, Alternative product in accordance with RoHS II without Exemption 6c (Pb <0.1%) item no.: 1245641

SACB-8/16-M23 P12 SH - Sensor/actuator box

1155996

<https://www.phoenixcontact.com/us/products/1155996>



KSK 1 - Sealing cap

1685013

<https://www.phoenixcontact.com/us/products/1685013>

Plastic sealing cap, for unoccupied M23 connectors



UTA 136 - DIN rail adapter

2853996

<https://www.phoenixcontact.com/us/products/2853996>

Universal DIN rail adapter, for screwing on switchgear



SACB-8/16-M23 P12 SH - Sensor/actuator box



1155996

<https://www.phoenixcontact.com/us/products/1155996>

TSD 04 SAC - Torque screwdriver

1208429

<https://www.phoenixcontact.com/us/products/1208429>



Torque screwdriver, with preset torque of 0.4 Nm and 4 mm hexagonal drive for M12 connectors

TSD-M 1,2NM - Torque screwdriver

1212224

<https://www.phoenixcontact.com/us/products/1212224>



Torque screw driver, accuracy as per EN ISO 6789 standard, adjustable from 0.3 - 1.2 Nm

SACB-8/16-M23 P12 SH - Sensor/actuator box



1155996

<https://www.phoenixcontact.com/us/products/1155996>

TSD-M SAC-BIT ADAPTER - Adapter insert

1212600

<https://www.phoenixcontact.com/us/products/1212600>



Adapter bit for TSD-M...torque tools, E6.3-1/4" drive with 4 mm hexagon to accommodate SAC bits

SAC BIT M12-D15 - Tool

1208432

<https://www.phoenixcontact.com/us/products/1208432>



Nut for assembling sensor/actuator cables with M12 connector and M12 connectors for assembly, with a knurl diameter of 15 mm, for 4 mm hexagonal drive

SACB-8/16-M23 P12 SH - Sensor/actuator box

1155996

<https://www.phoenixcontact.com/us/products/1155996>



SACC BIT M12-D20 - Tool

1208445

<https://www.phoenixcontact.com/us/products/1208445>

Nut for assembling M12 connectors for assembly with a knurl diameter of 20 mm, for 4 mm hexagonal drive



Phoenix Contact 2023 © - all rights reserved

<https://www.phoenixcontact.com>

Phoenix Contact USA
586 Fulling Mill Road
Middletown, PA 17057, United States
(+717) 944-1300
info@phoenixcon.com