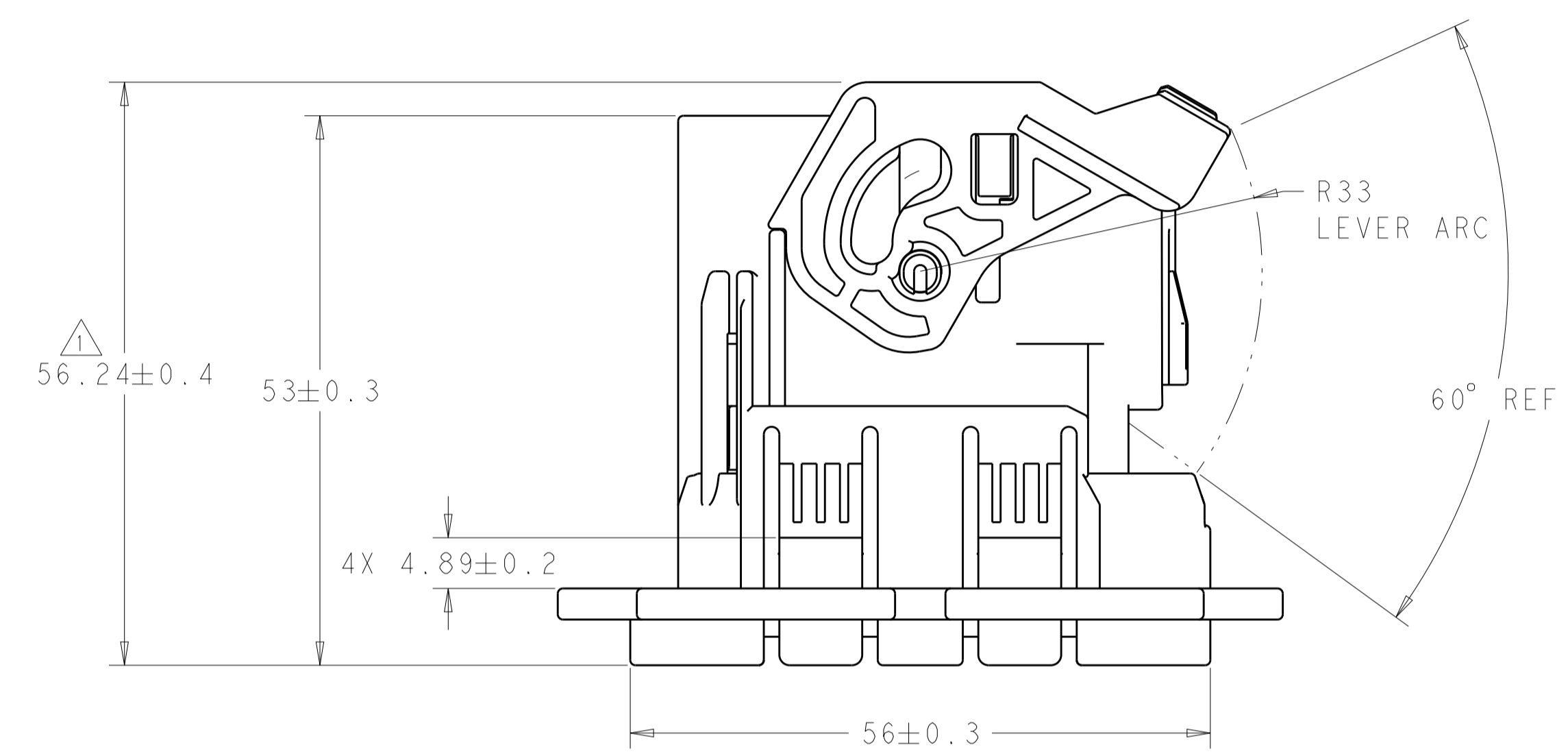
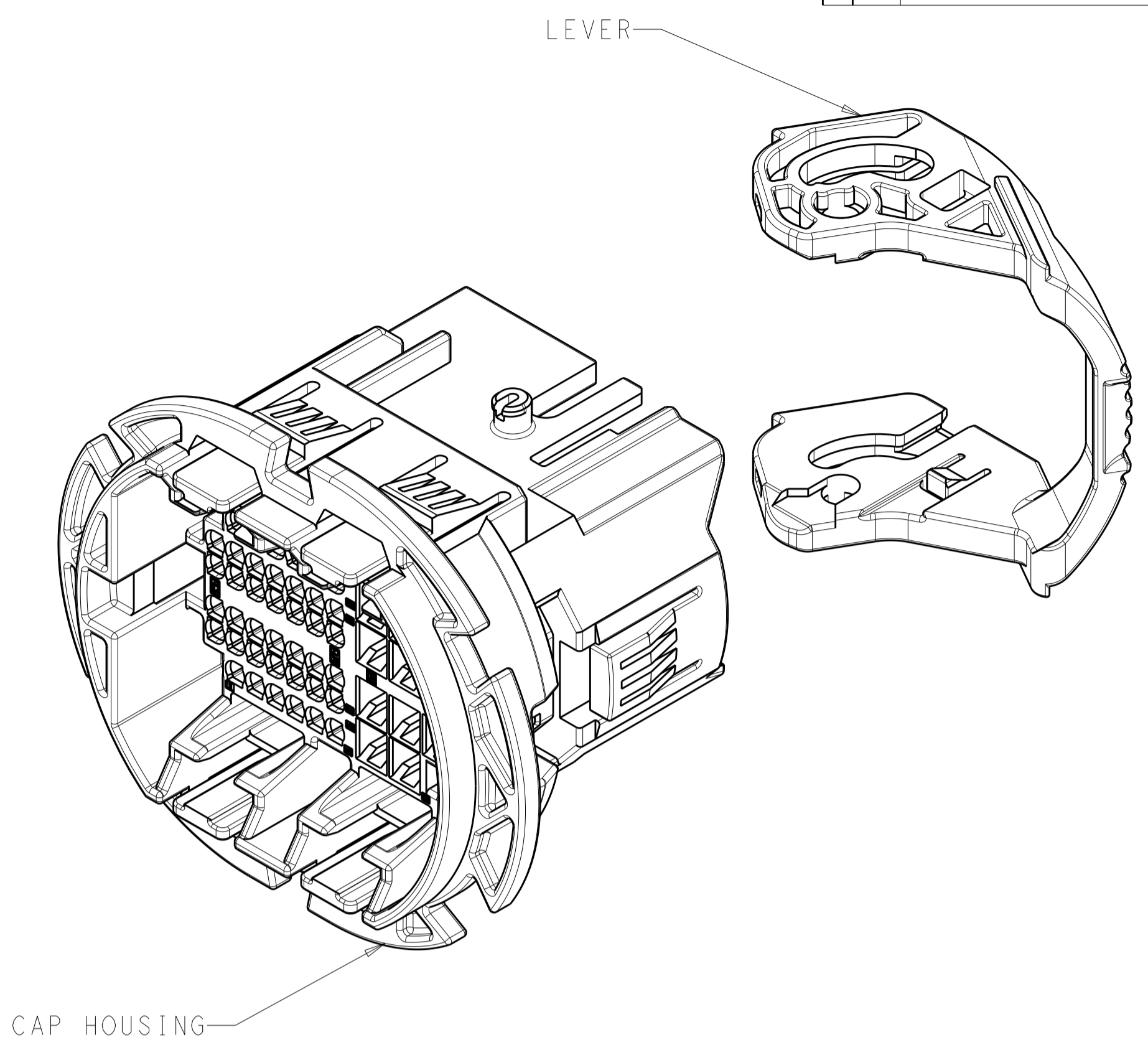
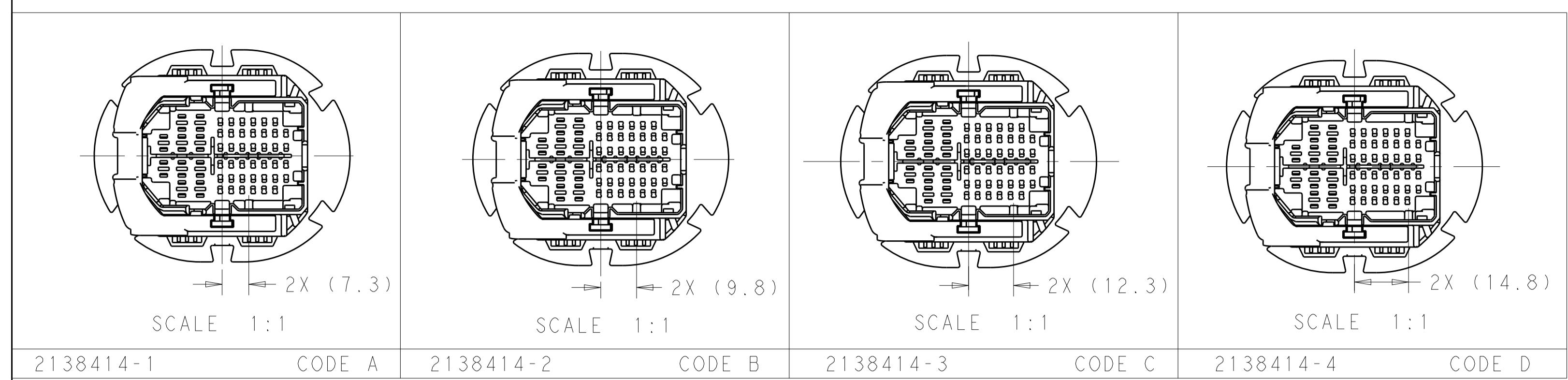
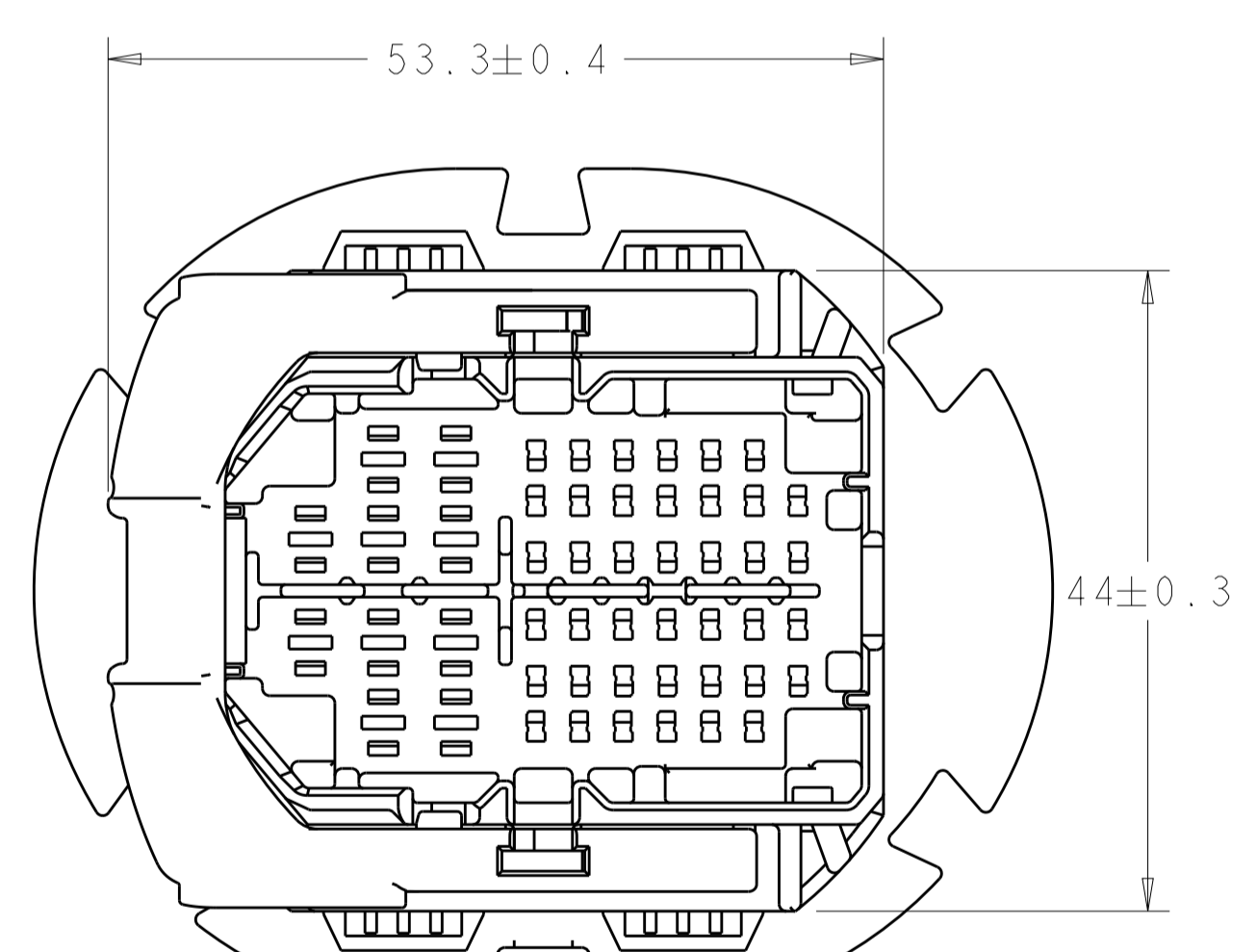
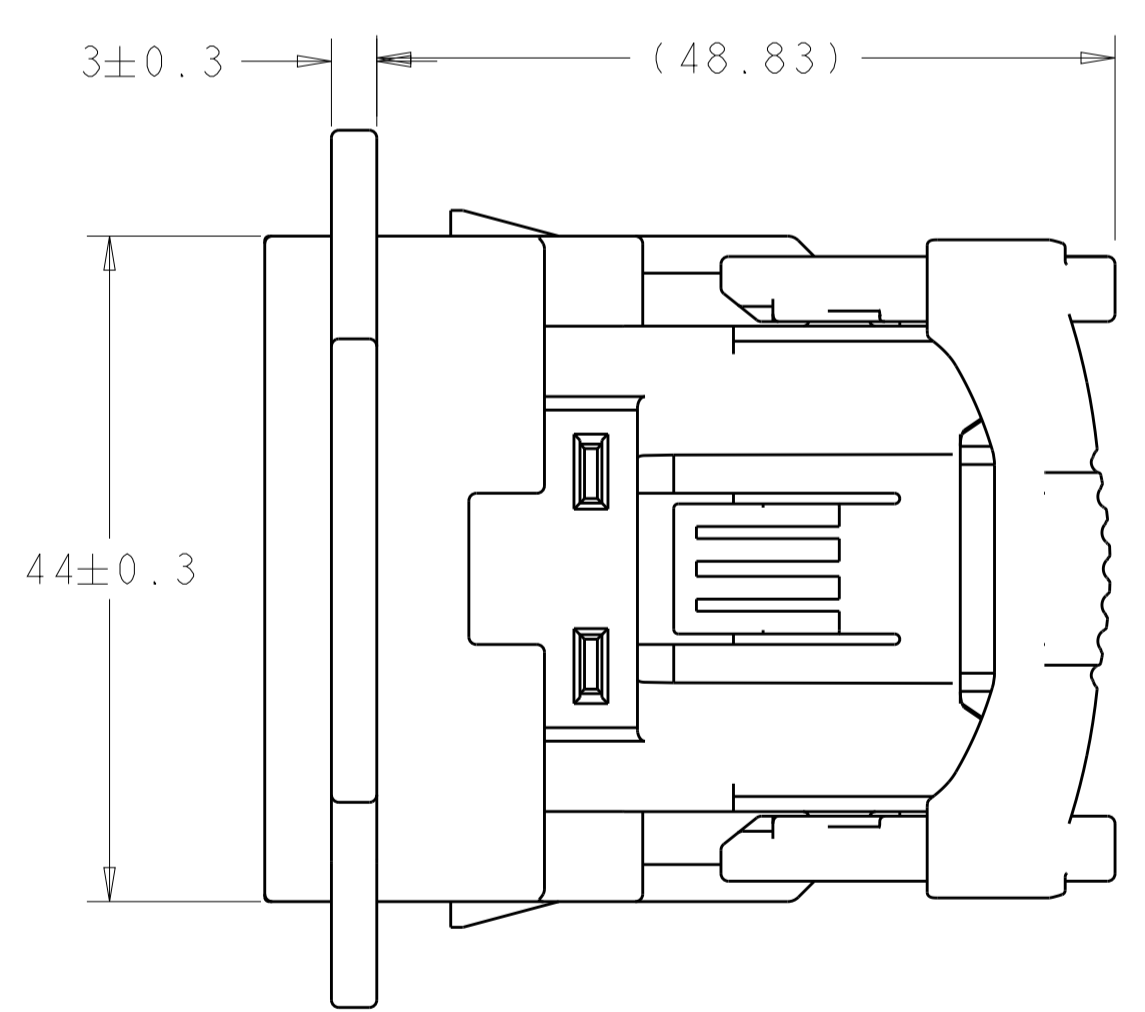
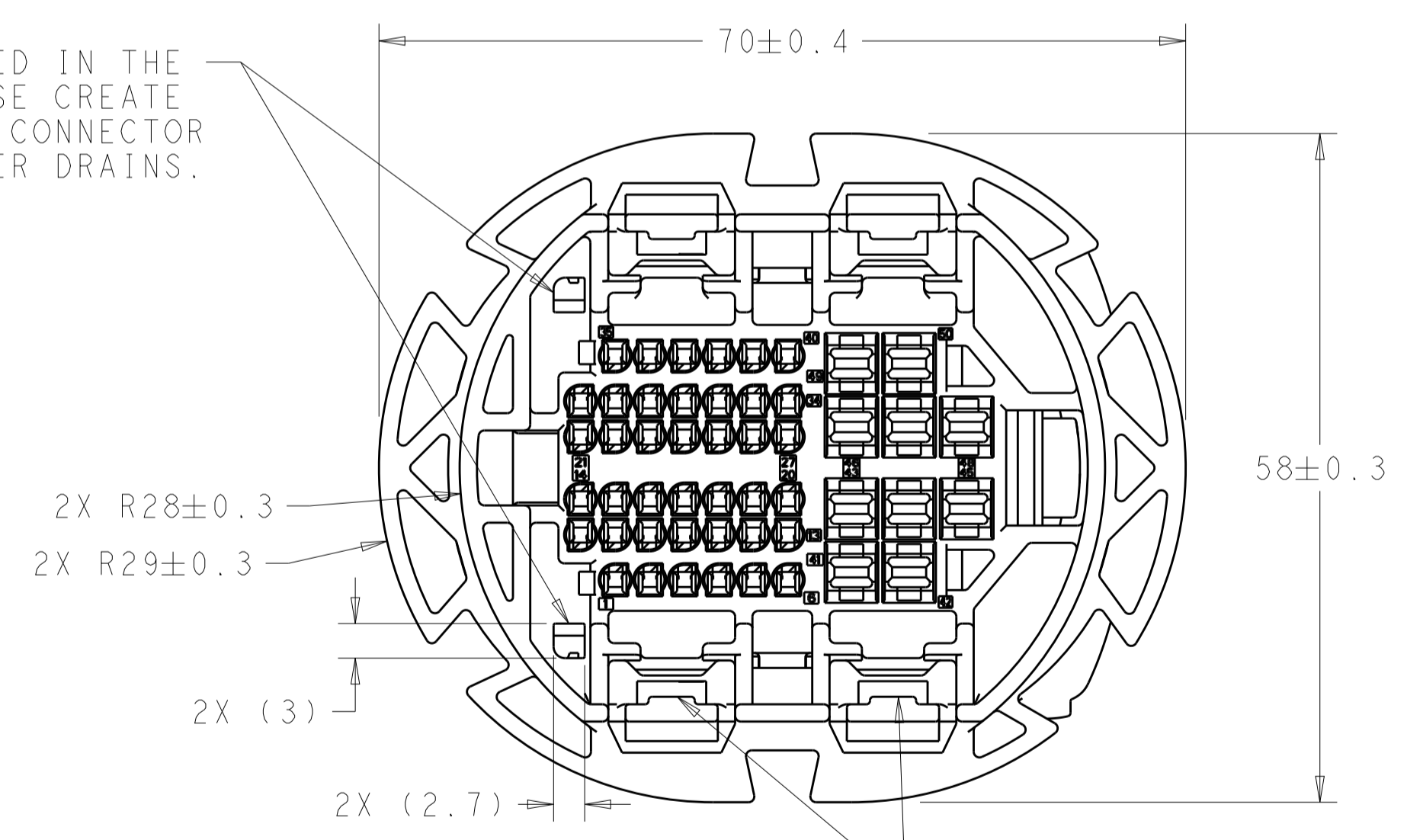


LOC		DIST		REVISIONS			
P	LTN	DESCRIPTION	DATE	DMN	APVD		
C		REV PER ECR-12-019643	06NOV2012	AJV	AJV		
D		REV PER ECR-15-018640	22DEC2015	AJV	AJV		



REVISION D: FEATURES ADDED IN THE 2 LOCATIONS SHOWN. THESE CREATE SLOTTED OPENINGS IN THE CONNECTOR SHROUD TO ACT AS WATER DRAINS.



REVISION D: PANEL LATCHES UPDATED 4 PLACES TO REDUCE INSTALL FORCE.

- ① LEVER SHOWN IN PRE-LATCHED, AS SHIPPED POSITION.
- ② CAP HOUSING: NYLON 6/6, BLACK  
LEVER: NYLON 6/6, GRAY

3. INDEPENDENT SECONDARY LOCKS SHIPPED SEPARATELY.  
1.2 SECONDARY LOCK: 2138418-1 - 1 REQ'D PER CONNECTOR  
2.8 SECONDARY LOCK: 2138417-1 - 1 REQ'D PER CONNECTOR
4. MAXIMUM MATING FORCE OF THIS CONNECTOR WHEN FULLY POPULATED WILL EXCEED THE 75N LIMIT SUGGESTED BY USCAR-25.  
MATING FORCE OF 83N MAX WAS RECORDED DURING QUALIFICATION TESTING.

APPLICABLE COMPONENTS CHART			
TE PART #	FINISH	WIRE SIZE	DESCRIPTION
1418758-1	TIN	0.25-0.35mm <sup>2</sup>	MCON 1.2 TAB
1418758-2	GOLD		
1418758-3	SILVER		
1418760-1	TIN	0.50-0.75mm <sup>2</sup>	
1418760-2	GOLD		
1418760-3	SILVER		
1418762-1	TIN	1.0mm <sup>2</sup>	
1418762-2	GOLD		
1418762-3	SILVER		
2-964292-1	TIN	0.20-0.35mm <sup>2</sup>	2.8 x 0.8 TAB
1-964292-3	GOLD		
2-964292-2	SILVER		
2-964294-1	TIN	0.50-1.00mm <sup>2</sup>	
1-964294-3	GOLD		
2-964294-2	SILVER		
2-964296-1	TIN	>1.00-2.50mm <sup>2</sup>	
1-964296-3	GOLD		
2-964296-2	SILVER		

STATUS	KEY CODE	PART NUMBER
NOT TOOLED	D	2138414-4
NOT TOOLED	C	2138414-3
TOOLED	B	2138414-2
TOOLED	A	2138414-1

THIS DRAWING IS A CONTROLLED DOCUMENT. DWN: A. VASBINDER 18FEB2011  
 CHK: A. VASBINDER 09MAY2011  
 APVD: A. VASBINDER

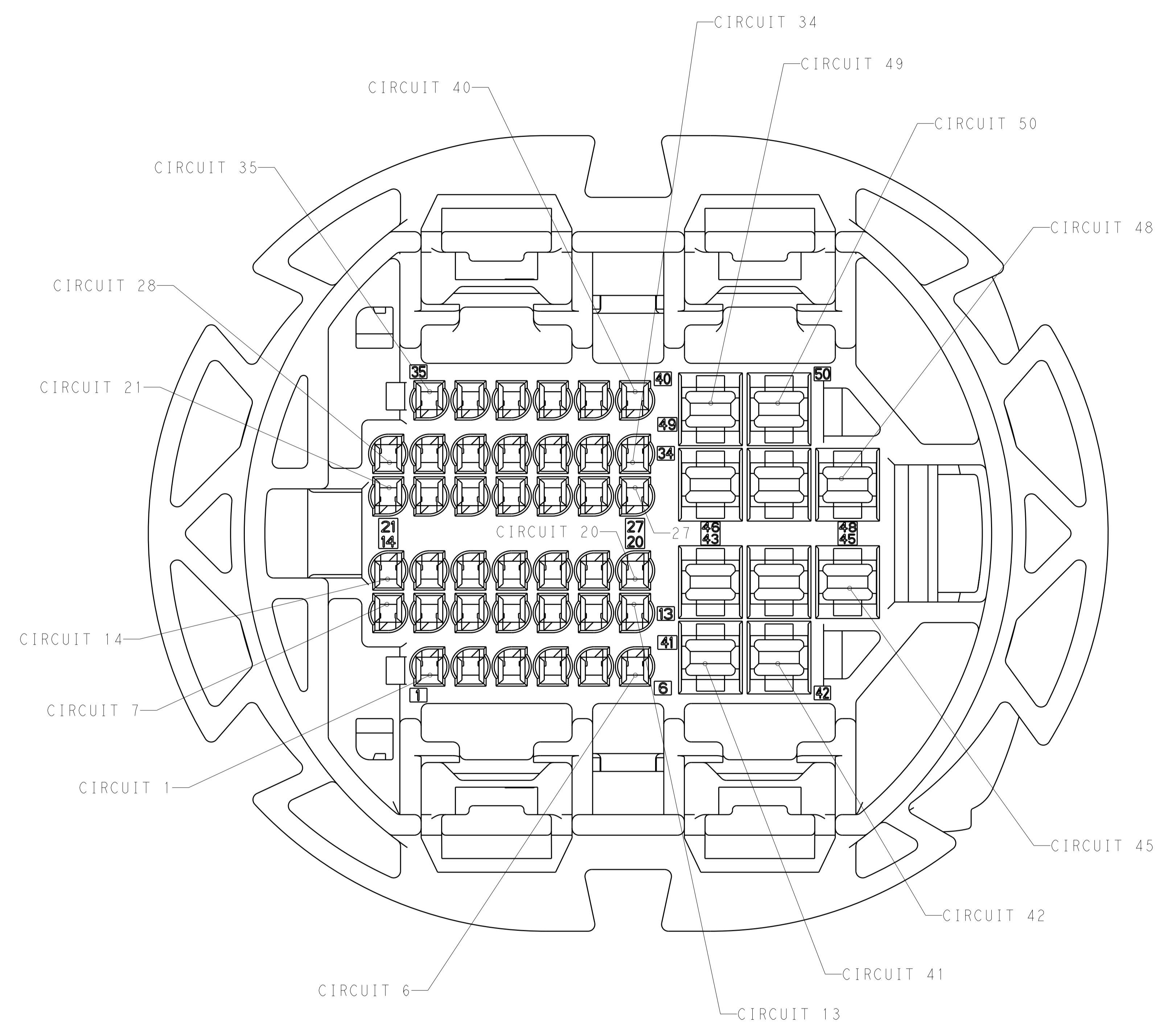
**STE** TE Connectivity

NAME: 50 WAY HYBRID, MALE CAP ASSEMBLY  
 PRODUCT SPEC: MCON 1.2 / MCP 2.8 TERMINAL SYSTEMS  
 APPLICATION SPEC: -

SIZE: A1 CAGE CODE: 2138414 DRAWING NO: 2138414  
 WEIGHT: - RESTRICTED TO: -

CUSTOMER DRAWING SCALE: 2:1 SHEET 1 OF 3 REV D

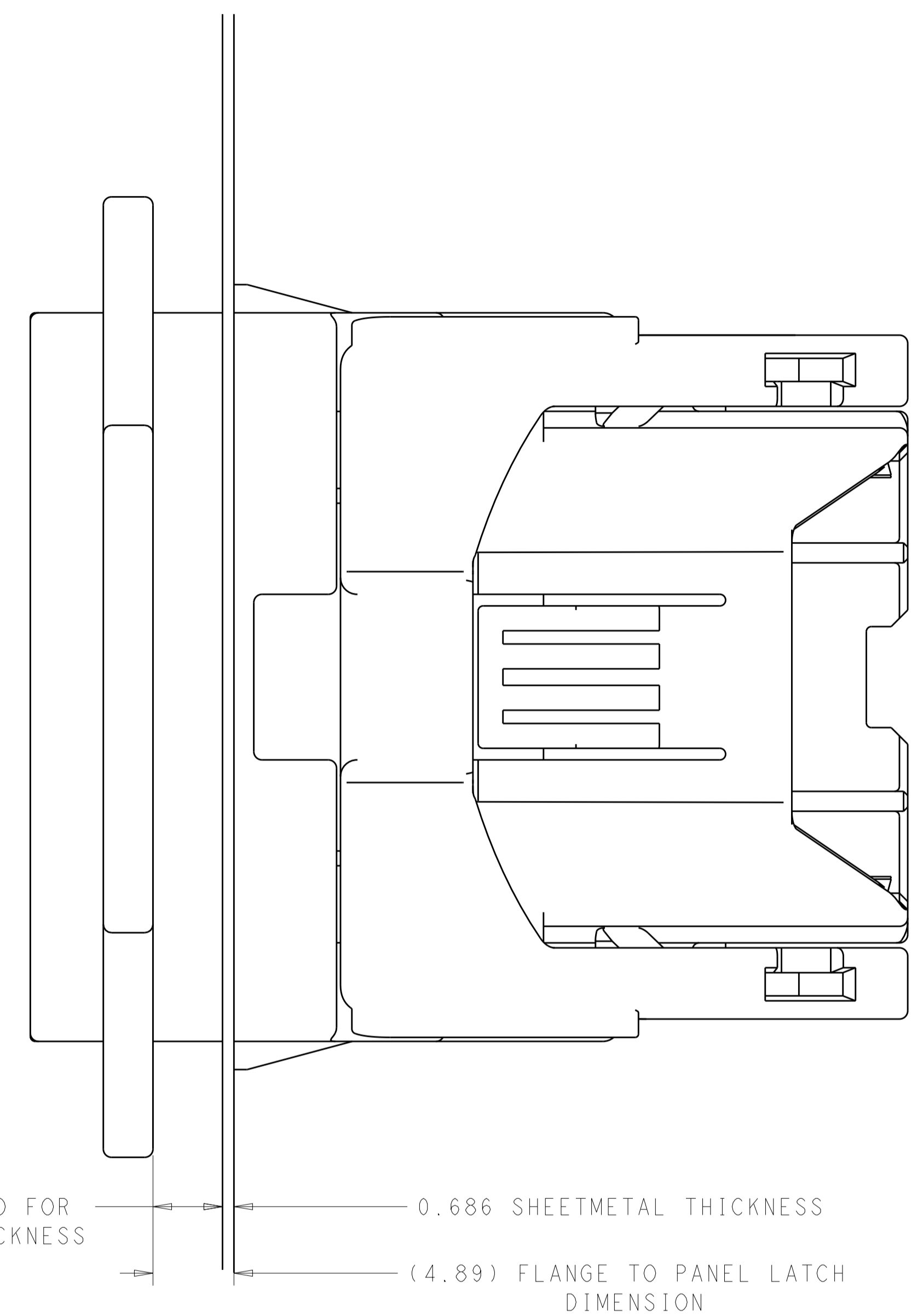
LOC		DIST		REVISIONS			
				REV	DATE	BY	APPV
-	-	-	-	-	-	-	-
-	-	-	-	1	SEE SHEET 1	-	-



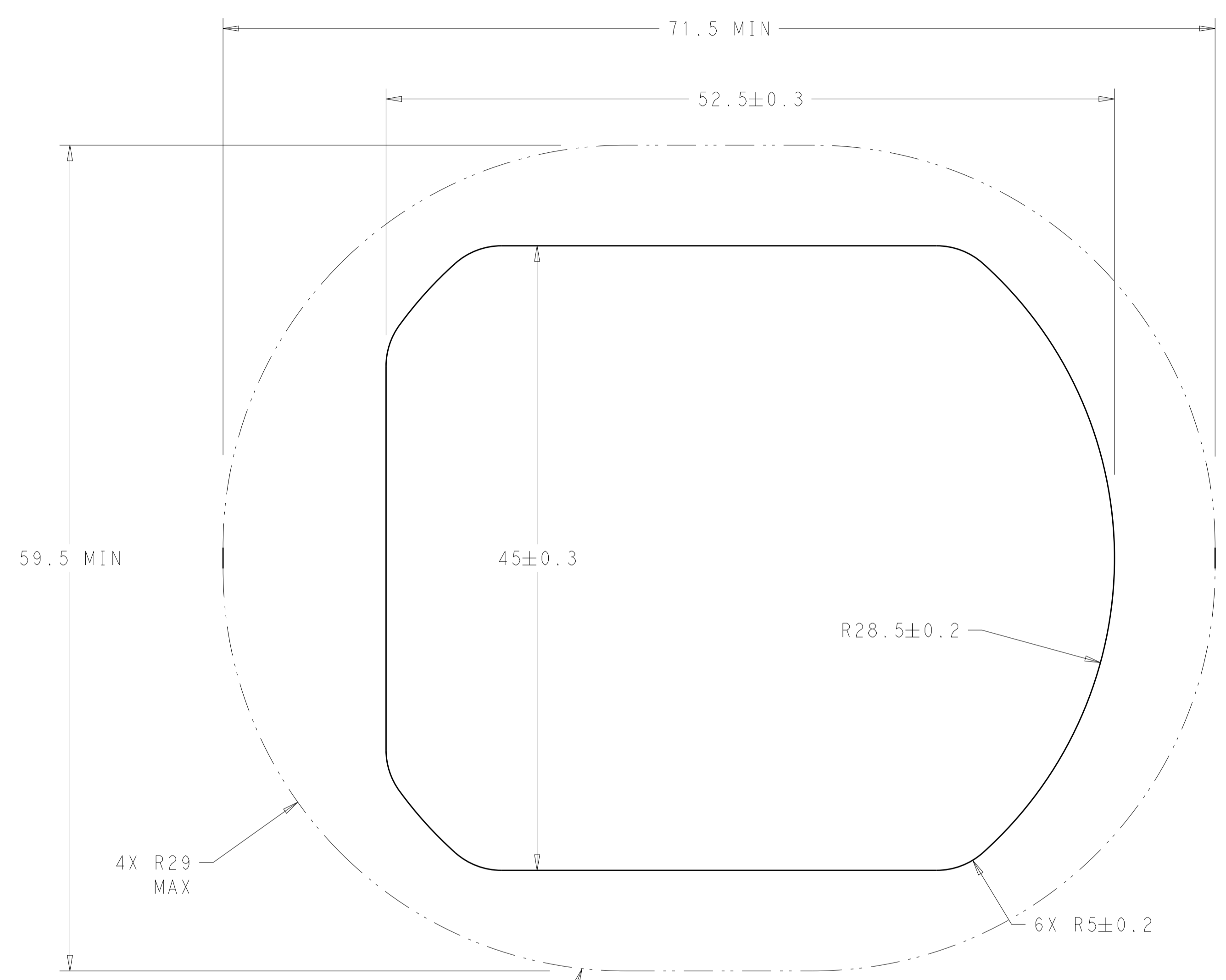
CIRCUIT NUMBERING  
 SCALE 5:1  
 WIRE SIDE OF MALE CAP

THIS DRAWING IS A CONTROLLED DOCUMENT.		DWN A. VASBINDER 18FEB2011 CHK A. VASBINDER 09MAY2011 APVD -	NAME <b>50 WAY HYBRID, MALE CAP ASSEMBLY</b> MCON 1.2 / MCP 2.8 TERMINAL SYSTEMS
DIMENSIONS: mm 	TOLERANCES UNLESS OTHERWISE SPECIFIED: 0 PLC ± 1 PLC ±0.3 2 PLC ±0.15 3 PLC ± 4 PLC ± ANGLES ±	PRODUCT SPEC APPLICATION SPEC WEIGHT CUSTOMER DRAWING	RESTRICTED TO SIZE CAGE CODE DRAWING NO A100779C=2138414 SCALE 3:1 SHEET 2 OF 3 REV D

LOC	DIST	REV	DATE	BY	APPV
-	-	1	-	-	-
REVISIONS			DESCRIPTION	DATE	DWN
-	-	1	SEE SHEET 1	-	-



SCALE 4:1  
 ASSEMBLED VIEW IN SHEETMETAL CUTOUT



DOOR PILLAR CUTOUT  
 FOR 50WAY MALE CONNECTOR  
 SCALE 4:1

AREA REPRESENTS THE CONNECTOR AND GROMMET KEEPOUT ZONE.  
 FLATNESS OF 1.0 MM MAXIMUM REQUIRED IN THIS ZONE FOR SEALING.  
 NO BURRS PERMITTED ALL AROUND PANEL OPENING.

THIS DRAWING IS A CONTROLLED DOCUMENT.		DWN A. VASBINDER 18FEB2011	TE Connectivity	
DIMENSIONS:		CHK A. VASBINDER 09MAY2011	NAME 50 WAY HYBRID, MALE CAP ASSEMBLY	
TOLERANCES UNLESS OTHERWISE SPECIFIED:		APVD	PRODUCT SPEC MCON 1.2 / MCP 2.8 TERMINAL SYSTEMS	
mm	0 PLC ±	APPLICATION SPEC		
	1 PLC ±0.3	SIZE CAGE CODE DRAWING NO		
	2 PLC ±0.15	RESTRICTED TO		
	3 PLC ±	A100779C=2138414		
	4 PLC ±	SCALE 2:1 SHEET 3 OF 3 REV D		
	ANGLES ±	CUSTOMER DRAWING		
MATERIAL	FINISH	WEIGHT		