



Single Port RJ45 Connector

AR11-4515

- 10/100/1000 Base T Gigabit For Ethernet and other Networking Applications
- Compliant to IEEE802.3
- Transmit open circuit inductance (OCL): 350µH (Min) @ 100KHz, 0.1Vrms with 8mA DC Bias
- RJ45 jack cavity conforms to FCC rules and regulations Part 68, SUB Part F
- Operating Temperature Range: 0°C to +70°C



Electrical Specifications @ 25°C

Allied Part Number	OCL(µH Min) @ 100KHz, 0.1V With 8mA DC Bias	Turns Ratio ±5%	Cross Talk (dB Min)			Insertion Loss (dB Max) 0.3-100 MHz
			0.3-30MHz	30-60MHz	60-100MHz	
AR11-4515	350	1CT: 1CT	-40	-35	-30	-1.0

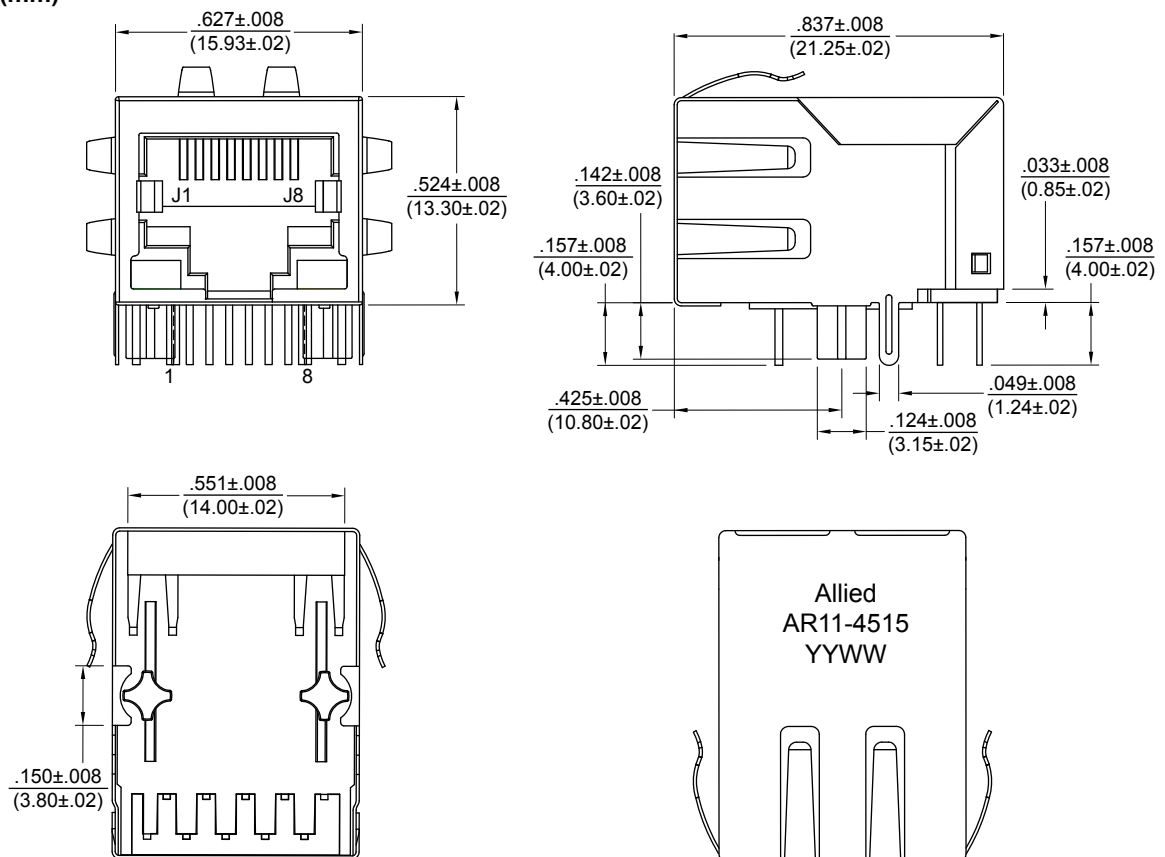
Electrical Specifications @ 25°C

Return Loss (dB Min)			CMR (dB Min)			HI-POT 1500Vrms
1-30MHz	30-60MHz	60-80MHz	1-30MHz	30-60MHz	60-125MHz	
-16	-13	-10	-30	-25	-20	

All specifications subject to change without notice.

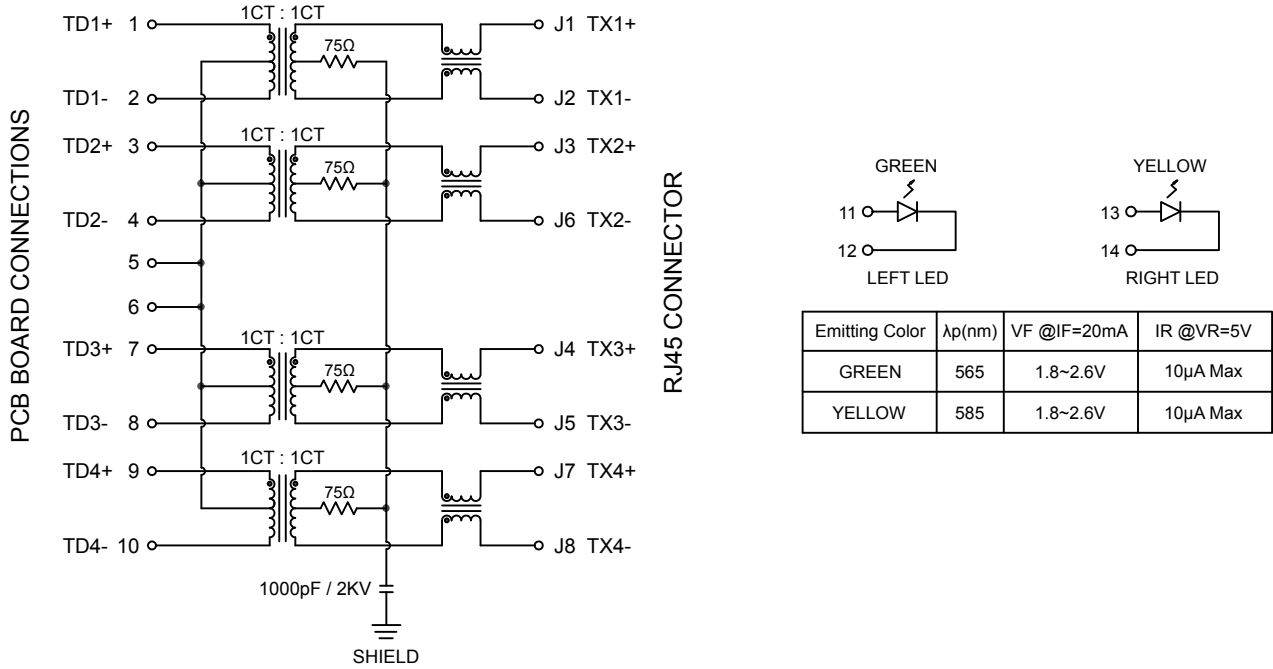
MECHANICAL

DIMENSIONS: inch
(mm)



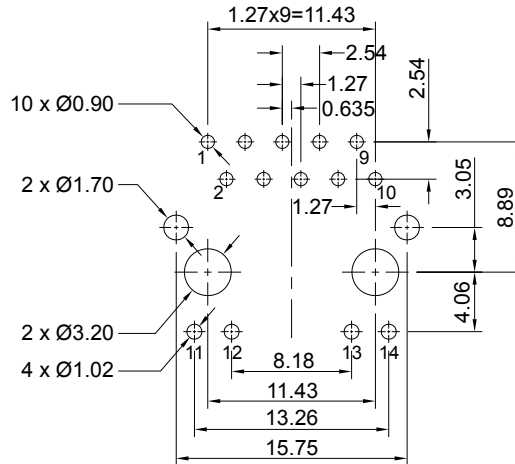


SCHEMATIC



PCB LAYOUT

DIMENSIONS: mm



NOTES

- Connector materials:
 Housing: Thermoplastic PBT+30%G.F. UL94V-0
 Contact: Phophor Bronze C5210R-EH Thickness = 0.35mm
 Pins: Brass C2680R-H Thickness = 0.35mm
 Shield: SUS 201-1/2H Thickness = 0.2mm
 Contact plating: Gold 6 μ " min. in contact area
- Wave solder peak temperature: 265°C Max, 5 Sec Max