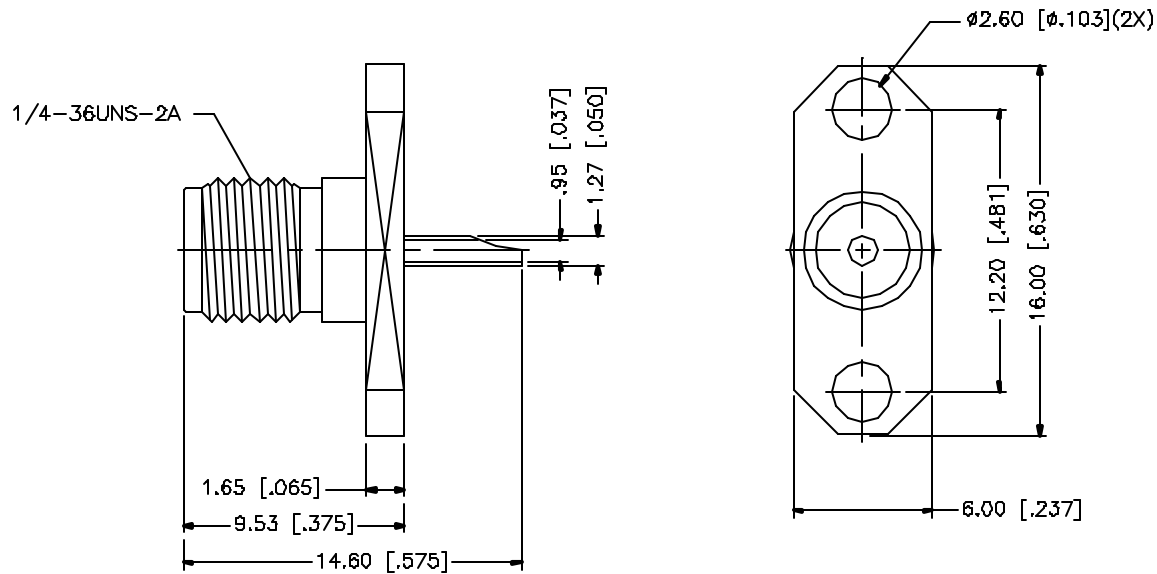


REV.	DATE	DESCRIPTION
NC	05/01/04	INITIAL RELEASE



REV.	DATE	DESCRIPTION							
NC	05/01/04	INITIAL RELEASE							
8									
7									
6									
5									
4									
3	CONTACT PIN	BER. COPPER							
2	INSULATOR	TEFLON							
1	BODY	BRASS							
	DESCRIPTION	MATERIAL							
		FINISH							
		QTY							
<p>UNLESS OTHERWISE SPECIFIED DIMENSIONS ARE IN MILLIMETERS. DIMENSIONS IN [] ARE IN INCHES AND FOR CUSTOMER REFERENCE ONLY.</p> <p>UNLESS OTHERWISE SPECIFIED TOLERANCES FOR MILLIMETERS ARE: 0.5 - 30mm ± 0.20mm 30 - 120mm ± 0.40mm 120 - 120mm ± 0.50mm</p> <p>UNLESS OTHERWISE SPECIFIED TOLERANCES FOR INCHES ARE: .020 - .315 = ± 0.007" .315 - 1.180 = ± 0.015" 1.180 - 4.724 = ± 0.020"</p> <p>DO NOT SCALE DRAWING</p>			<p>APPROVALS</p> <p>DRAWN G.R.S.</p> <p>CHECKED</p> <p>ISSUED</p> <p>SHEET 1 OF 1</p> <p>CAD FILE C:/132/132143.DWG</p>	<p>DATE</p> <p>05/01/04</p>	<p>Amphenol Connex</p> <p>PART DESCRIPTION</p> <p>SMA PANEL RECEPTACLE JACK</p> <p>PART NO.</p> <p>132143</p>	<p>DWG. NO.</p> <p>132143.DWG</p>	<p>REV.</p> <p>NC</p>	<p>SIZE</p> <p>A</p>	<p>SCALE</p> <p>NA</p>