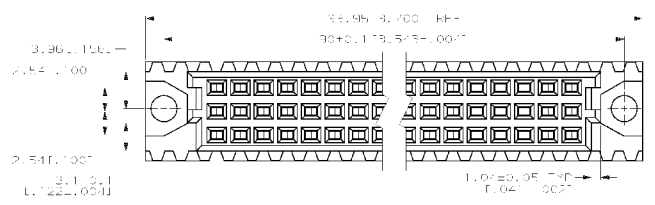
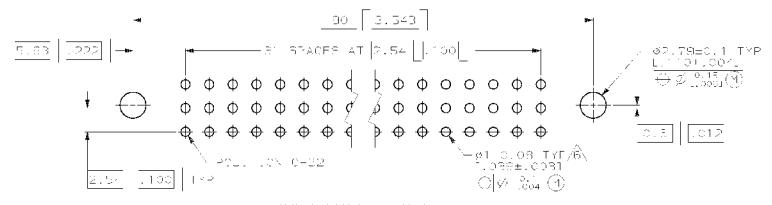
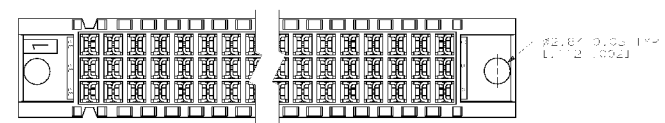
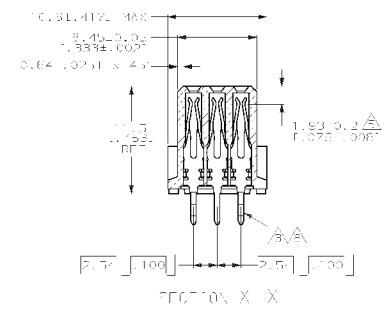
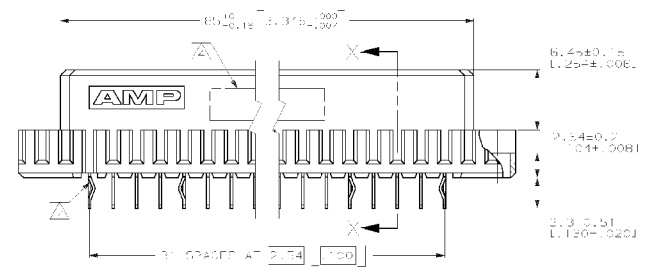


REV	DATE	BY	CHKD	APPD
AD 05	11/10/98			



- ▲ HOUSING PA BRASS GLASS-EMBED POLYESTER. COLOR GRAY.
- ▲ CONTACT MATERIAL: P107103-0304T.
- ▲ CONTACT FINISH: 0.00041-000203-0010 H-TYPE BRASS, 0.00041-000203-0010 H-TYPE BRASS, 0.00041-000203-0010 H-TYPE BRASS.
- ▲ WAX NUMBER: 2511-002. LOCATION: CSA LEVEL 1H THIS APPLICATION AREA.
- ▲ DIM. 1 - MEASUREMENT FOR SOLID.
- ▲ DIMENSIONABLE SIZE FOR MANUAL APPLICATION OF WAX ON CONTACT AREA.
- ▲ PANEL SOLDER POSITS FOR BOND RETENTION ARE LOCATED AT POSITIONS 1, 3, 5, 7, 9, 11, 13, 15, 17, 19, 21 AND 23 FOR A TOTAL OF 16 FORMED SOLDER POSITS PER ASSEMBLY.
- ▲ CONTACT FINISH: 0.00041-000203-0010 CONTACT AREA. 0.00041-000203-0010 POSITS.



PC BOARD LAYOUT

SUPERSEDED BY 500795-05	11 FC 32	X	X	X	88	850400-5
	11 FC 32	X	X	X	88	850400-7
POSITIONS LOCATED BY DRAWING POSITION						
	1	3	5	7	9	11

DATE: 11/10/98	BY: J. SCHNEIDER	DATE: 11/27/98	BY: J. SCHNEIDER
DESIGNED BY: J. SCHNEIDER	APP'D: J. SCHNEIDER	DATE: 1/25/99	BY: J. SCHNEIDER
CHECKED BY: J. SCHNEIDER	APP'D: J. SCHNEIDER	DATE: 1/25/99	BY: J. SCHNEIDER
MATERIAL: AMP, CONTACT	APP'D: J. SCHNEIDER	DATE: 1/25/99	BY: J. SCHNEIDER
FINISH: AMP, CONTACT	APP'D: J. SCHNEIDER	DATE: 1/25/99	BY: J. SCHNEIDER
SCALE: 4:1	SIZE: 650450	REV: 00775	DATE: 11/10/98