

Edgemax LED Module

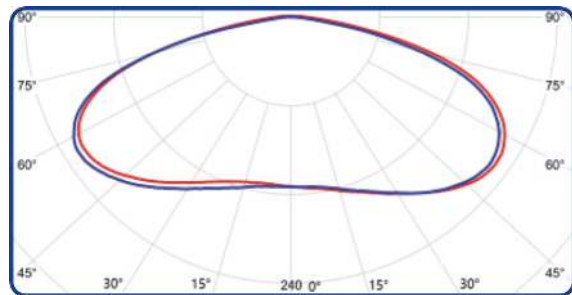
WLM-LED-ABS-12V-044041-5630-3

Technical data

LED	Top 5630
Angle	≥160°
Color	White
lumen(lm)	144
CCT(nm/K)	6500

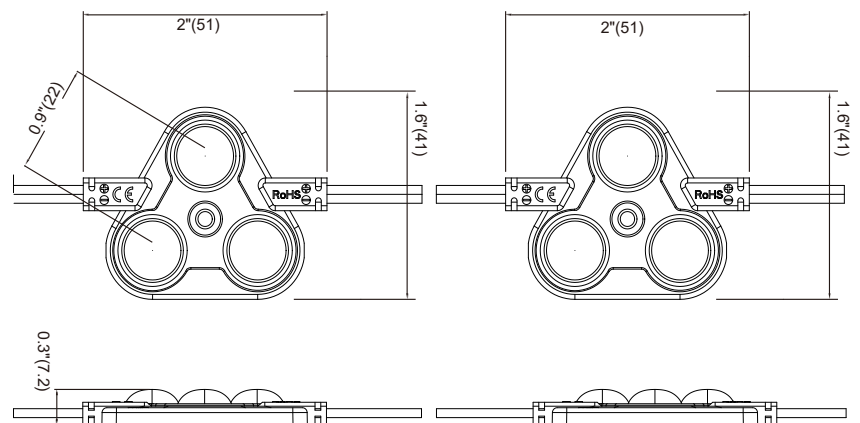
Light distribution

Beam characteristic 160°



Profile drawings

Unit: inch(mm)



Features

- High brightness EPISTAR 5630 CHIP;
- 160°3-IN-ONE Special lens,for better light evenness and higher protection level;
- CHIMEI ABS Housing, Flame retardant, Anti-static, high weathering resistance level;
- CCT Technology, 25 pcs chain, each pcs shares the same brightness, without any brightness difference;
- Exposed Aluminium PCB with better heat release performance, ensure longlife time;
- Suitable for Channel letter, metal letter, light boxes.

Specification

Dimension	1.7*1.6"(44*41mm)
Power	1.44W±10%
Working voltage	12V
Driving mode	Constant current
Center distance	5.3"(135mm)
Cascading	25pcs
Working temp	-25~+50°C
Storage temp	-50~+60°C
IP grade	IP66