

REVISIONS				
P	LTR	DESCRIPTION	DATE	APVD
A		INITIAL RELEASE	21AUG2019	HH CW

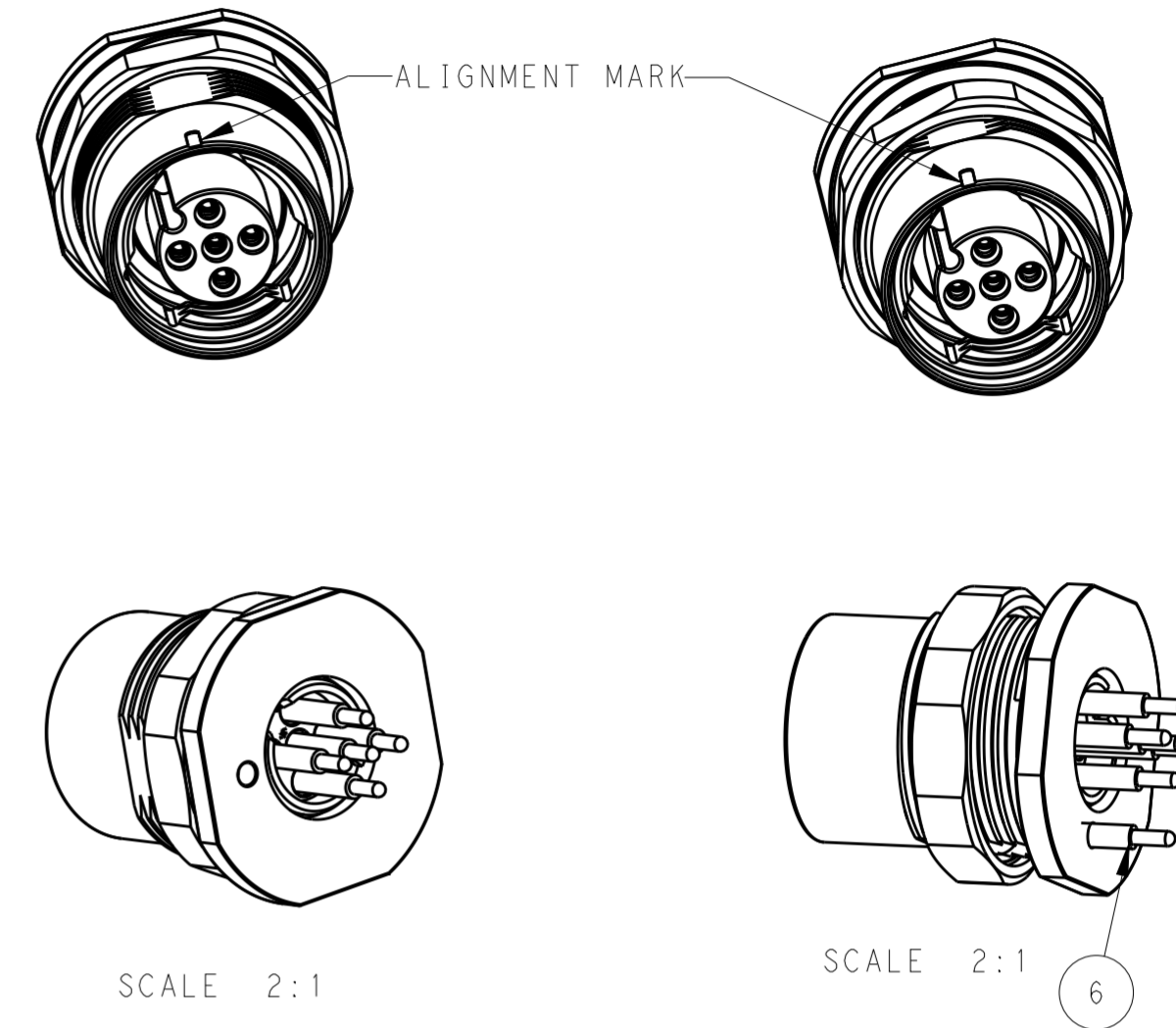
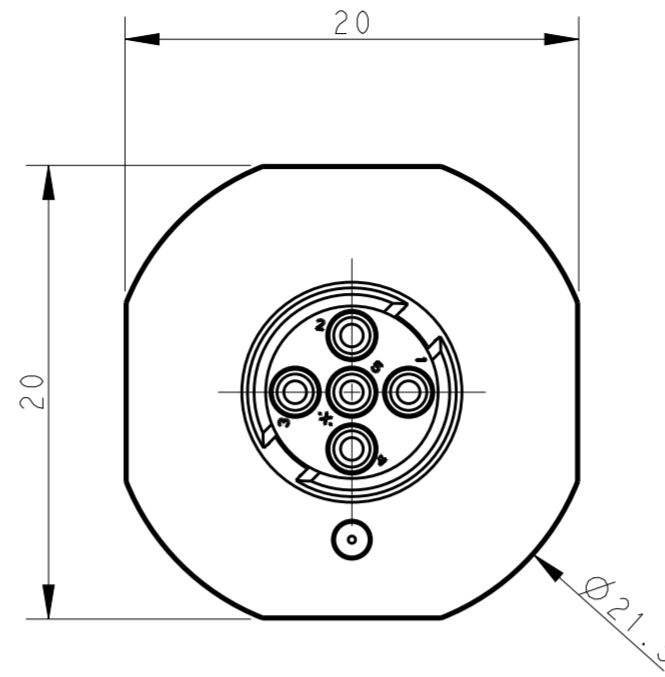
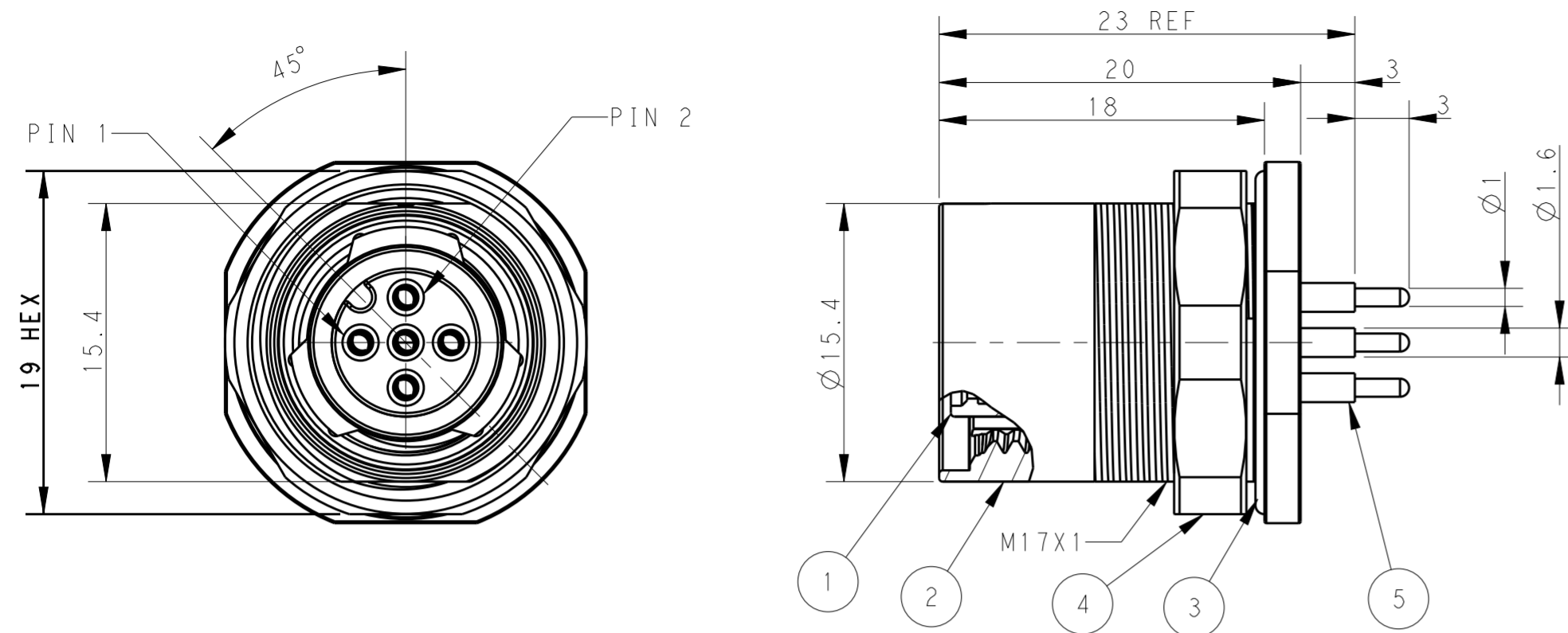
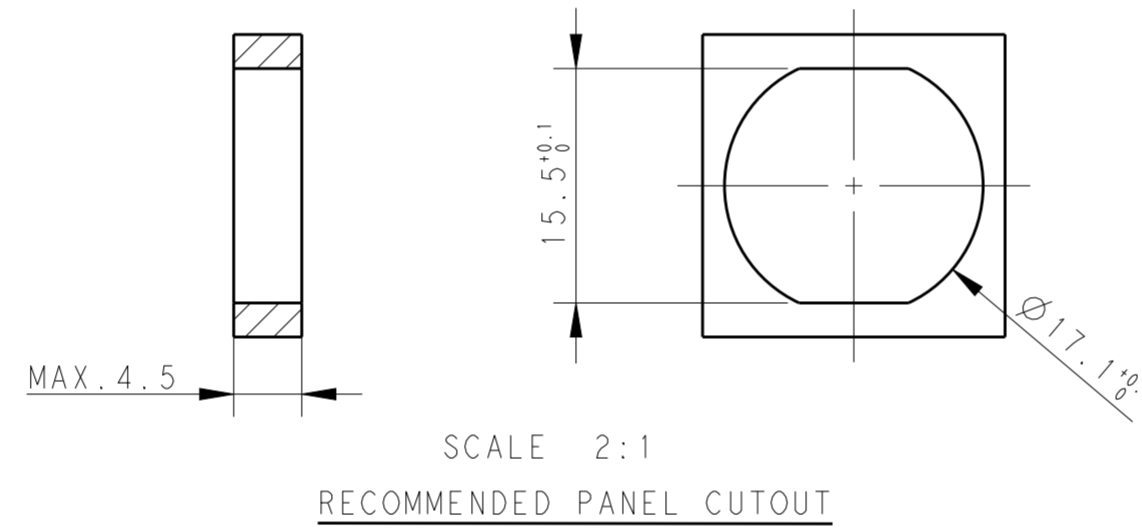


TABLE 1

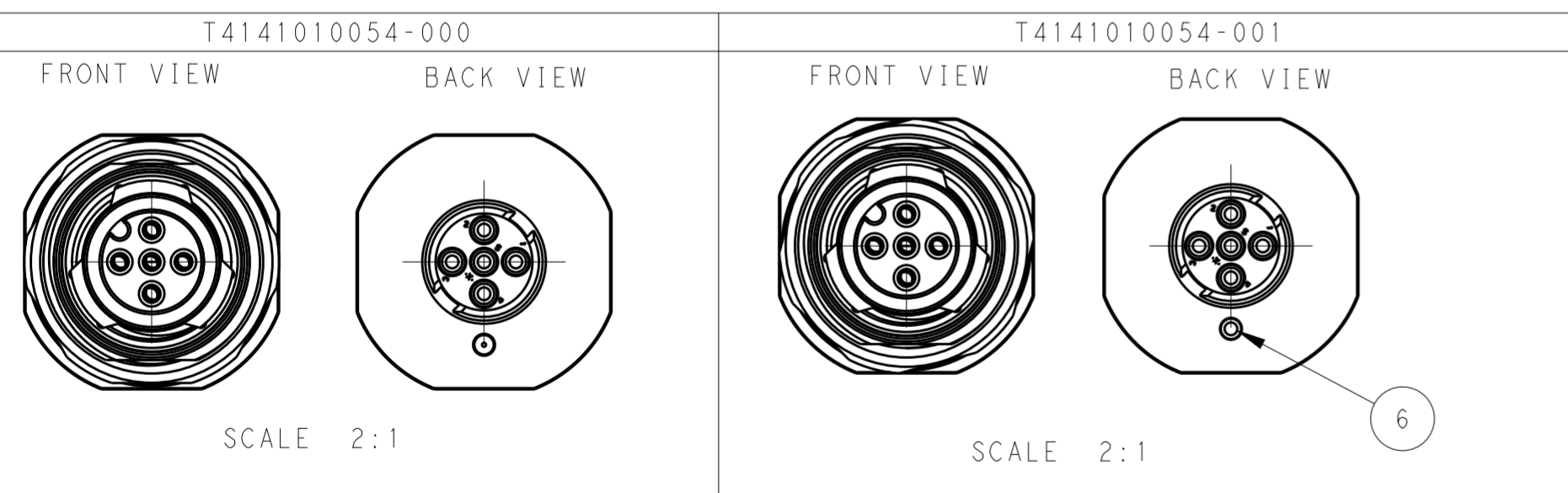
TECHNICAL DATA	T4141010054-000		T4141010054-001	
	RATED VOLTAGE	60V	60V	
RATED CURRENT	4A	4A		
POLLUTION DEGREE	2	2		
OVERVOLTAGE CATEGORY	II	II		
MATERIAL GROUP	I	I		
CONTACT RESISTANCE (INITIAL)	<=10mΩ	<=10mΩ		
INSULATION RESISTANCE	>100MΩ	>100MΩ		
DEGREE OF PROTECTION	IP67	IP67		
OPERATION TEMPERATURE	-40~85°C	-40~85°C		



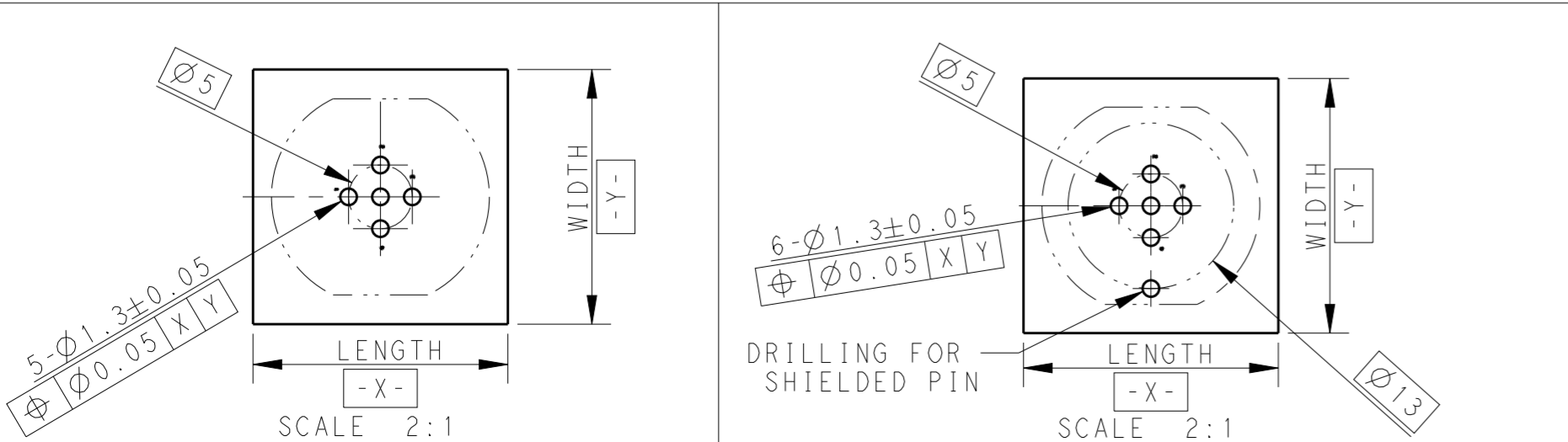
NOTE:

1. TECHNICAL DATA: SEE TABLE 1
 2. RECOMMENDED MOUNT PANEL SEE DETAIL
 3. PRODUCT COMPLIES WITH IEC61076-2-012
 4. PLASTIC INSERT MATERIAL: UL LISTED WITH UL94V0 FLAME RATING
 5. PRODUCT CAN MEET REFLOW SOLDERING WITH 265°C MAX PEAK TEMPERATURE PER TEC-109-201
 6. ALL MATERIALS TO BE ROHS COMPLIANT
 7. ALL MATERIALS TO BE REACH COMPLIANT
- 注释:
 1: 技术参数, 见表1
 2: 推荐开孔尺寸详见如图所示
 3: 产品符合标准 IEC61076-2-012
 4: 塑胶材料符合UL标准, UL-94V0阻燃等级
 5: 产品满足最高260度的REFLOW制程, 参考TEC-109-201
 6: 所有材料符合ROHS参照标准TEC-138-705
 7: 所有材料符合REACH参照标准TEC-138-705

PIN ARRANGEMENT
A-CODE



RECOMMENDED DRILLING DIAGRAM (PCB THICKNESS 1.6mm MAX)



TE PN	TYPE	DESCRIPTION		
T4141010054-000	RPC-M12-FF-5CON-M17P-LBU	M12 PUSH-PULL PANEL MOUNT CONNECTOR, 5PIN, A CODE, FEMALE, REAR MOUNTING, PCB SOLDERING, UN-SHIELDED		
T4141010054-001	RPC-M12-FF-5CON-M17P-LBUS	M12 PUSH-PULL PANEL MOUNT CONNECTOR, 5PIN, A CODE, FEMALE, REAR MOUNTING, PCB SOLDERING, SHIELDED		
PLATING	MATERIAL	DESCRIPTION	ITEM	
TIN PLATING	COPPER ALLOY	SHIELDED PIN	6	1
CONTACT AREA WITH 30µ" MIN. GOLD PLATED	COPPER ALLOY	CONTACT	5	5 5
NICKEL PLATING	COPPER ALLOY	METAL NUT	4	1 1
-	SILICON RUBBER	O-RING	3	1 1
NICKEL PLATING	COPPER ALLOY	M12, FEMALE, METAL BODY	2	1 1
-	PA RESIN	M12, FEMALE HSG	1	1 1

THIS DRAWING IS A CONTROLLED DOCUMENT.

DWN: HART HE 21MAY2019
 CHK: GINO YAO 21MAY2019
 APVD: CHRIS WANG 21MAY2019

STE TE Connectivity

NAME: M12 PUSH-PULL PANEL MOUNT CONNECTOR A CODE, FEMALE, REAR MOUNTING, PCB SOLDERING

PRODUCT SPEC: 108-137420
 APPLICATION SPEC: 114-137144

SIZE: A2 CAGE CODE: 00779 DRAWING NO: T414101005400X RESTRICTED TO: A

MATERIAL: SEE TABLE TOLERANCES UNLESS OTHERWISE SPECIFIED:
 0 PLC ±
 1 PLC ±
 2 PLC ±
 3 PLC ±
 4 PLC ±
 ANGLES ±
 FINISH ±

CUSTOMER DRAWING SCALE: 1:1 SHEET: 1 OF 1 REV: A