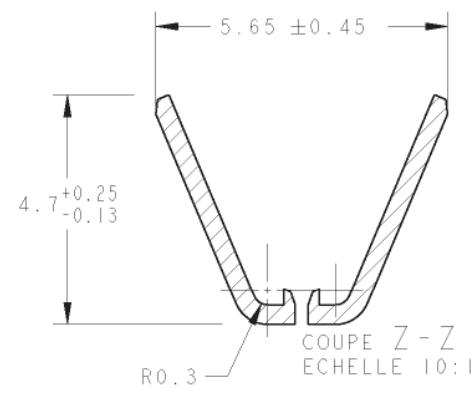
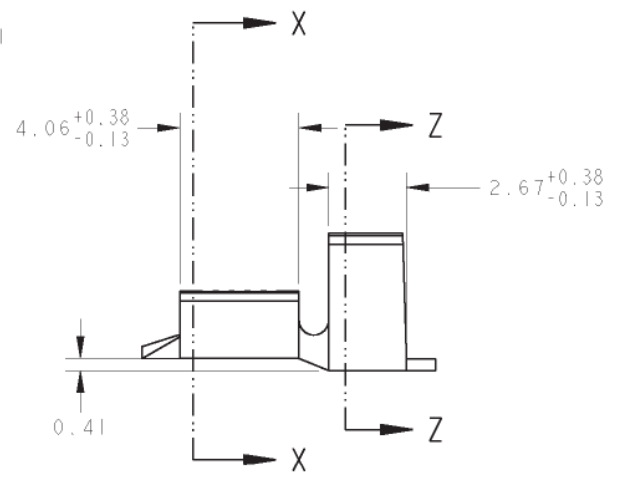


THIS DRAWING IS UNPUBLISHED. RELEASED FOR PUBLICATION
 DIFFUSION RESTREINTE AMP LIBRE A LA DIFFUSION
 © COPYRIGHT 20 BY TYCO ELECTRONICS CORPORATION. ALL RIGHTS RESERVED. TOUS DROITS RESERVES

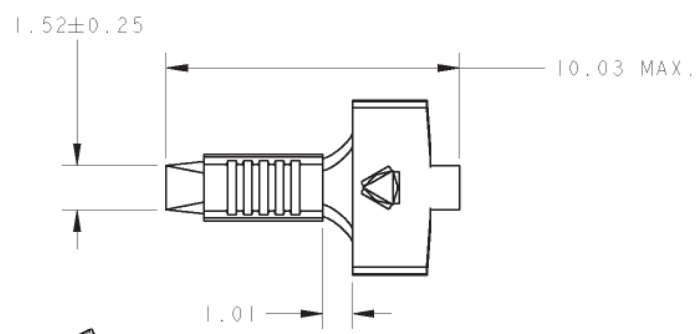
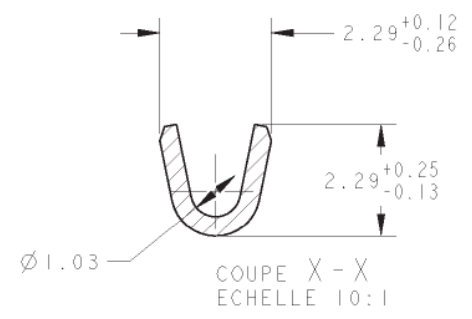
LOC	DIST	REVISIONS			
P	LFR	DESCRIPTION	DATE	DWN	APVD
REV	REV	MODIFICATIONS	DESS	DESS	APP
B		REDESSINE SOUS PRO/ENG, AJOUT 1-141175-3	06MAR2001	CC	YP
B1		REVISED PER ECR-19-015041	05NOV2019	PC	MB



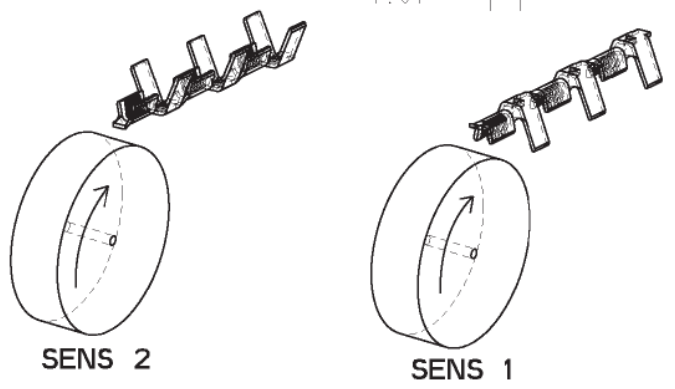
ECHELLE 1:1



1. REELED WITH INTERLEAVE PAPER.



1-141175-3	SENS 1	LAITON	PRE-ETAME
1-141175-2	SENS 1	LAITON	ETAME
1-141175-1	SENS 1	LAITON	BRUT
141175-2	SENS 2	LAITON	ETAME
141175-1	SENS 2	LAITON	BRUT
TE P/N	BOBINAGE	MATIERE	TRAIT. SURF



<small>THIS DRAWING IS A CONTROLLED DOCUMENT FOR TYCO ELECTRONICS CORPORATION IT IS SUBJECT TO CHANGE AND THE CONTROLLING ENGINEERING ORGANIZATION SHOULD BE CONTACTED FOR THE LATEST REVISION. CE PLAN EST UN DOCUMENT CONTROLÉ PAR AMP INCORPORATED. IL EST SUSCEPTIBLE D'ÊTRE REVISÉ. CONTACTER LE SERVICE TECHNIQUE D'AMP DE FRANCE POUR OBTENIR LA DERNIÈRE RÉVISION.</small>		DWN/DESSINE 06MAR2001 C. COMBEDOUZON CHR/VERIFIE 06MAR2001 G. ROBERT APVD/APPROUVE 06MAR2001 Y. PETRONIN		TE Connectivity	
DIMENSIONS: mm		TOLERANCES UNLESS OTHERWISE SPECIFIED: TOLERANCES NON SPECIFIEES (SDIV NB DE DECIMALES): 0 PLC/DEC: ± 1 PLC/DEC: ±0.5 2 PLC/DEC: ±0.13 3 PLC/DEC: ±0.013 4 PLC/DEC: ±0.0001 ANGLES ±		NAME/TITRE AMPLIVAR SPLICE WITH INSULATION RANGE	
MATERIAL/MATIERE		FINISH/FINITION		SIZE FORMAT A3 CAGE CODE 00779 DRAWING NO. PLAN C-141175 RESTRICTED TO RESERVE A	
CUSTOMER DRAWING /PLAN CLIENT		UNTOUQUEMENT POUR REFERENCE		SCALE ECHELLE 6:1 SHEET FEUILLE OF DE REV B1	