

MATERIALS AND FINISHES

PART NO. 73386-0300

BODY, STAINLESS STEEL  
PASSIVATED

COUPLING NUT, STAINLESS STEEL  
PASSIVATED

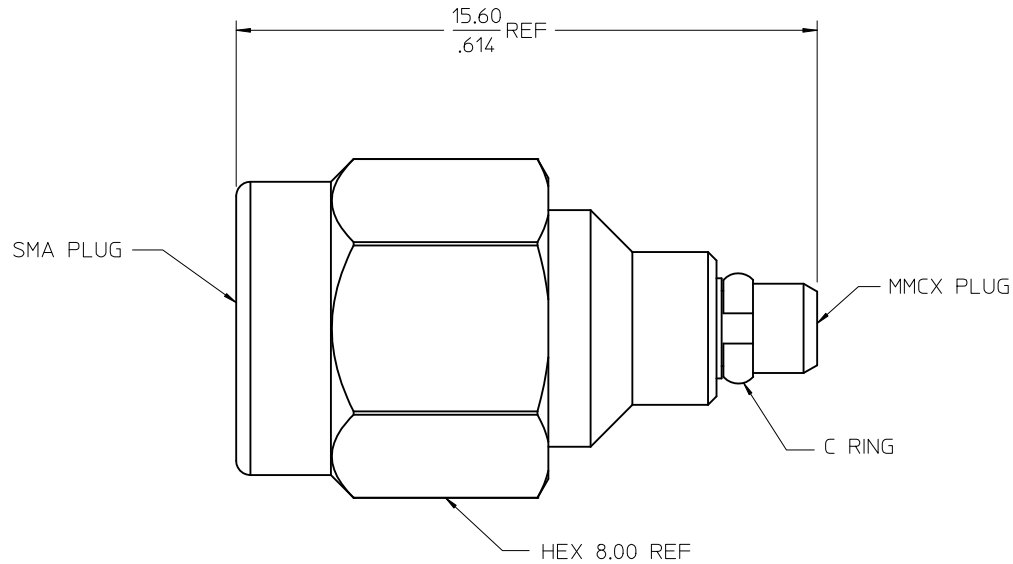
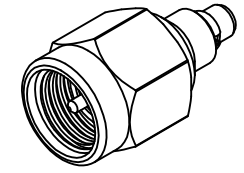
CENTER CONTACT, BRASS  
PLATED GOLD

C RING, BERYLLIUM COPPER  
PLATED GOLD

INSULATOR, TEFLON

GASKET, SILICONE RUBBER

PACKAGING BY TRAY EXCEPT AS NOTED



LABEL FORMAT FOR  
73386-0302

PART NUMBER: 73386-0300  
ORDER NUMBER: 73386-0302  
MOLEX  
DATE: YYWW

PART # 73386-0300

73386-0302	ONE -0300 PER BAG
73386-0301	TRAY (SEE PAGE 2)
73386-0300	TRAY (SEE PAGE 1)
PART NO.	PACKAGING

ES-73599-0000-0150	MMCX PLUG INTERFACE
MIL-STD-348, FIG. 310.1	INTERFACE
SPECIFICATION	DESCRIPTION

CHG: ADD LABEL FORMAT A3	EC NO: URF2012-0380 DRW: BOMALLEY 2012/01/04 CHK: D-AZR APPR: J-MENER 2012/01/04	QUALITY SYMBOLS ▽=0 ▽=0	GENERAL TOLERANCES (UNLESS SPECIFIED)		DIMENSION STYLE MM/IN		SCALE	DESIGN UNITS	THIRD ANGLE PROJECTION		
				mm	INCH	DRAWN BY	DATE	TITLE			
			4 PLACES	±---	±---	LYNN	2001/12/18	SMA PLUG TO MMCX PLUG ADAPTOR, 50 OHM BSA-SMAP/MMCXP			
			3 PLACES	±---	±---	CHECKED BY	DATE				
2 PLACES	±---	±---	VINCENT	2001/12/18	MOLEX INCORPORATED						
1 PLACE	±---	±---	APPROVED BY	DATE							
			ANGULAR ±---°		MATERIAL NO.	DOCUMENT NO.			SHEET NO.		
			DRAFT WHERE APPLICABLE MUST REMAIN WITHIN DIMENSIONS		SEE TABLE	SD-73386-030			1 OF 2		
THIS DRAWING CONTAINS INFORMATION THAT IS PROPRIETARY TO MOLEX INCORPORATED AND SHOULD NOT BE USED WITHOUT WRITTEN PERMISSION											

13 12 11 10 9 8 7 6 5 4 3 2 1

MATERIALS AND FINISHES

PART NO. 73386-0301

BODY, STAINLESS STEEL  
PASSIVATED

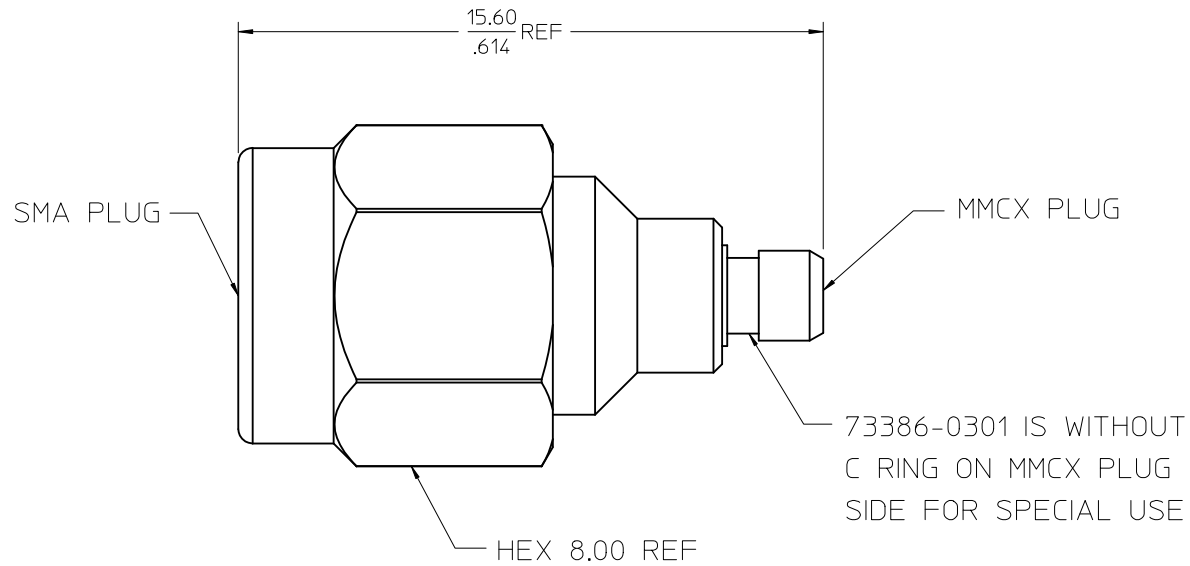
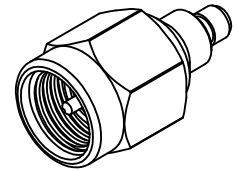
COUPLING NUT, STAINLESS STEEL  
PASSIVATED

CENTER CONTACT, BRASS  
PLATED GOLD

INSULATOR, TEFLON

GASKET, SILICONE RUBBER

PACKAGING BY TRAY



PART # 73386-0301

ES-73599-0000-0150	MMCX PLUG INTERFACE
MIL-STD-348, FIG. 310.1	INTERFACE
SPECIFICATION	DESCRIPTION

SEE SHEET 1 EC NO: URF2012-0380 DRW: BOMALLEY 2012/01/04 CHKD: AZR APPR: JMIENER 2012/01/04 A3	DESCRIPTION QUALITY SYMBOLS ▼=0 ▽=0	GENERAL TOLERANCES (UNLESS SPECIFIED)		DIMENSION STYLE		SCALE	DESIGN UNITS	THIRD ANGLE PROJECTION	
				MM/IN					
		4 PLACES	± ---	± ---	DRAWN BY	DATE	TITLE		
		3 PLACES	± ---	± ---	LYNN	2001/12/18	SMA PLUG TO MMCX PLUG ADAPTOR, 50 OHM BSA-SMAP/MMCXP		
2 PLACES	± ---	± ---	CHECKED BY	DATE	MATERIAL NO.				
1 PLACE	± ---	± ---	VINCENT	2001/12/18	SD-73386-030				
ANGULAR ± ---°		APPROVED BY		DATE	DOCUMENT NO.				
		MISEN		2001/12/18	SHEET NO.				
DRAFT WHERE APPLICABLE MUST REMAIN WITHIN DIMENSIONS		SIZE		SEE TABLE		2 OF 2			
		C		THIS DRAWING CONTAINS INFORMATION THAT IS PROPRIETARY TO MOLEX INCORPORATED AND SHOULD NOT BE USED WITHOUT WRITTEN PERMISSION					