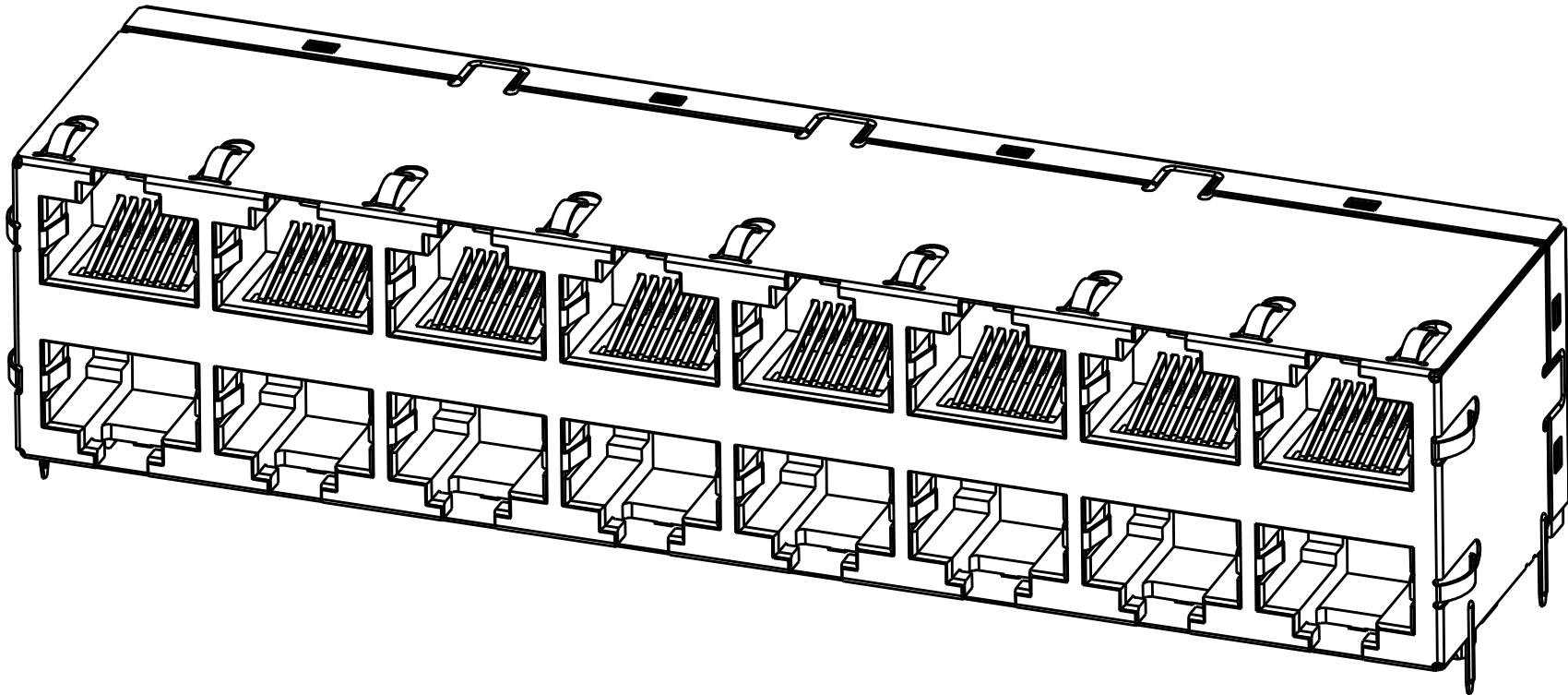


THIS DRAWING AND THE SUBJECT MATTER SHOWN THEREON ARE CONFIDENTIAL AND THE PROPERTY OF BEL/STEWART/TRP CONNECTOR AND SHALL NOT BE REPRODUCED, COPIED, OR USED IN ANY MANNER WITHOUT THE WRITTEN CONSENT OF TRP CONNECTOR.

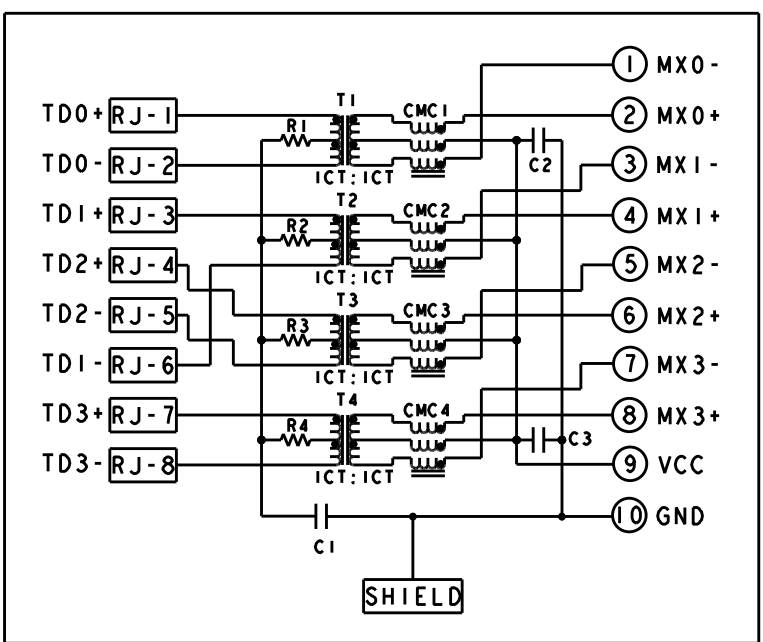
PRODUCT MAY BE PROTECTED BY ONE OR MORE OF THE FOLLOWING US PATENTS:
 5736910 5939955 6425781 6428361 6554638 6840817 7123117
 7429195 7717749 7808751 6217391 6149050 7924130

REVISONS				
#	LTR	DESCRIPTION	DATE	APPV
1	G	EC-1411035 COMPANY LOGO CHANGE	20JAN2015	CZ TY



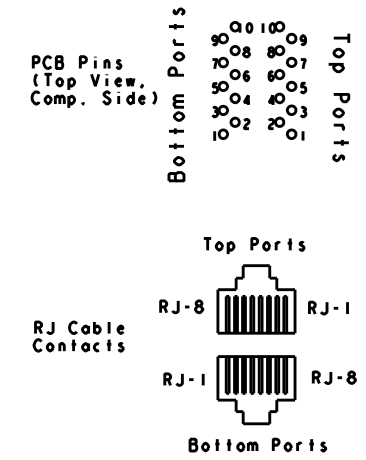
S8G56 GIGABIT CIRCUIT

Top and Bottom Ports



C1 = 1000pF, 2kV Capacitor
 C2 - C3 = 10nF, 50V Capacitors
 R1-R4 = 75 Ohms, 1/16 W, Resistors

Pin Designations
 (Repeat for each vertical pair of ports.)

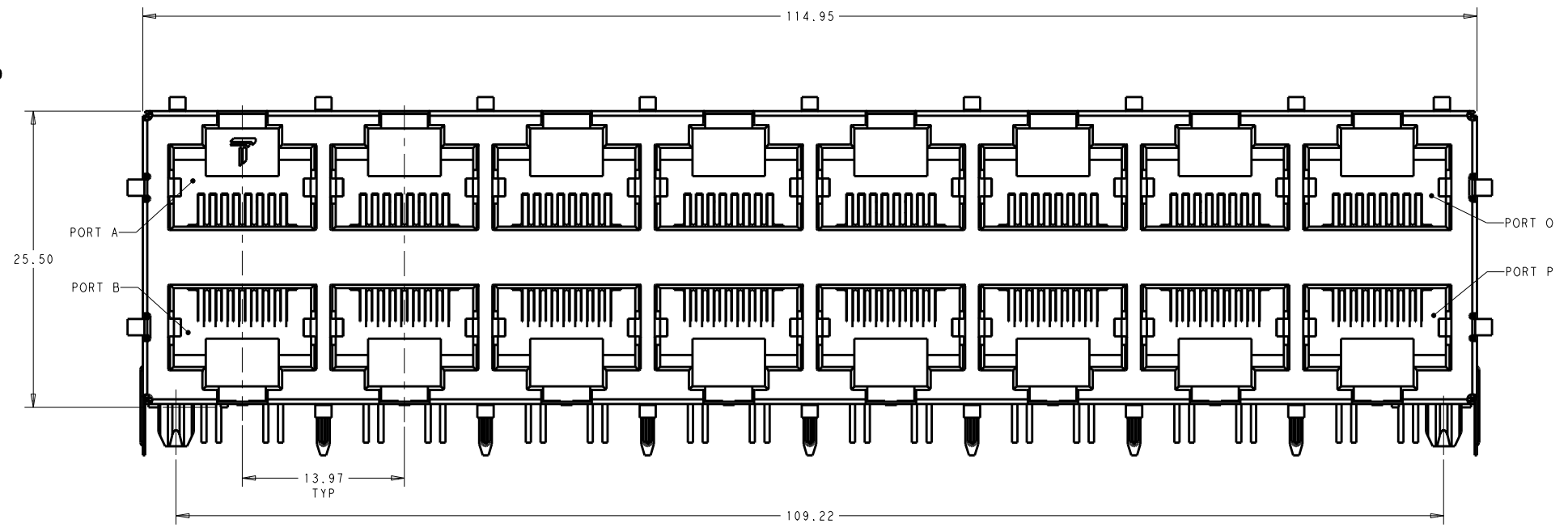
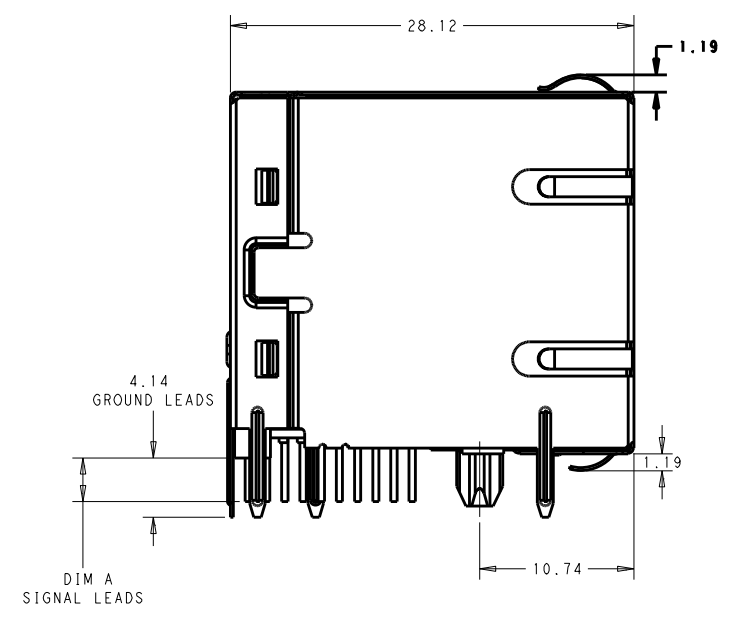
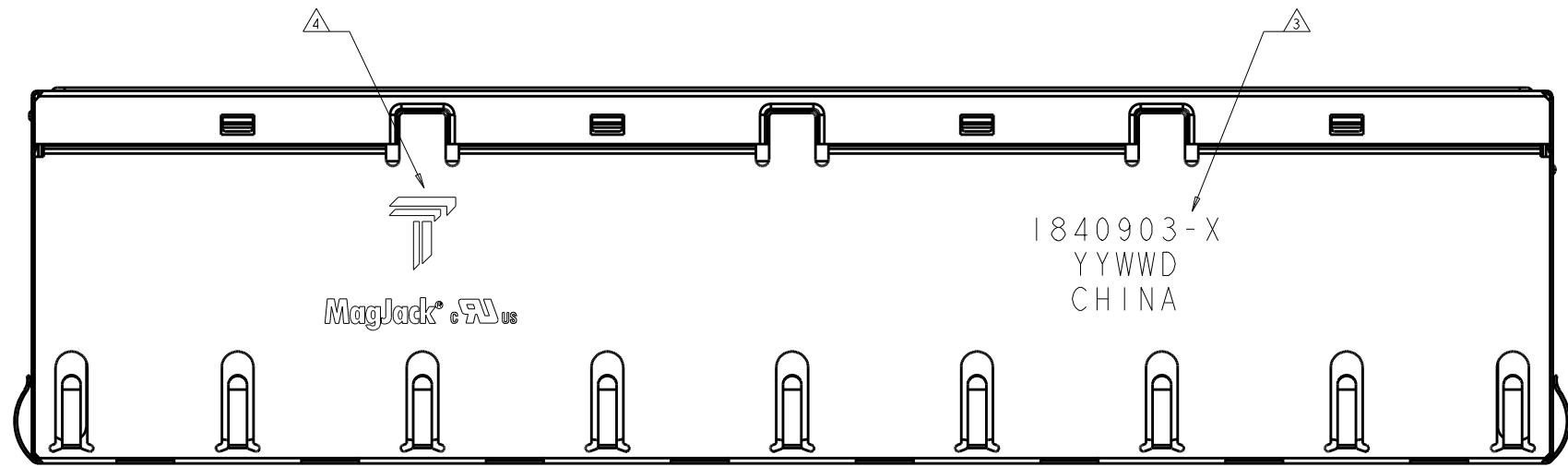


1. MATERIALS:
 PLASTIC HOUSING: BLACK, THERMOPLASTIC FLAMMABILITY RATING UL 94V-0
 SHIELD: BRASS, PREPLATED WITH 0.76um MIN SEMI-BRIGHT NICKEL,
 POST DIPPED WITH 2.54um MIN SAC SOLDER ON SOLDER TAILS.
 CONTACTS: PHOSPHOR BRONZE, 1.27um MIN OVERALL NICKEL
 UNDERPLATE WITH SELECT 1.27um MIN GOLD AT MATING INTERFACE
 AND 2.54um MIN MATTE TIN ON SOLDER TAILS.
 ALL PCB BOARDS: HIGH TEMPERATURE PCB, TG>170°C
- MAGNETICS
 APPLICATION: 10/100/1000 BASE-T
 IMPEDANCE: 100 OHMS
 TURNS RATIO (CHIP:CABLE): 1:1 ALL FOUR PAIRS
 OPEN CIRCUIT INDUCTANCE (OCL): 350uH MIN @100kHz, 0.1VRMS,
 8mADC BIAS FROM 0°C TO 70°C, ALL FOUR PAIRS
 ALL FOUR PAIRS BI-DIRECTIONAL
 PERFORMANCE @ 25°C:
 INSERTION LOSS (IL): 1.1dB MAX FROM 0.5MHz TO 100MHz
 RETURN LOSS (RL): 18dB MIN FROM 0.5MHz TO 40MHz
 12-20LOG(f/80)dB MIN FROM 40.1MHz TO 100MHz
 CROSSTALK ATTENUATION: 35dB MIN FROM 0.5MHz TO 40MHz
 33-20LOG(f/50)dB MIN FROM 40.1MHz TO 100MHz
 COMMON MODE REJECTION RATIO (CMRR): 30dB MIN FROM 0.5MHz TO 100MHz
 ISOLATION VOLTAGE: 2250VDC(MAX) FOR 60 SECONDS WITH A RISE TIME OF
 500V/SEC AND WITH ALL PORTS CONNECTED.
- PART NUMBER, DATE CODE AND COUNTRY OF ORIGIN ARE
 LOCATED IN APPROXIMATE AREA SHOWN. DATE CODE: YYWWD "YY" IS YEAR, "WW"
 IS WORK WEEK, "D" IS DAY OF WEEK, WITH SUNDAY=1
- TRP LOGO AND AGENCY APPROVAL LOGO ARE
 LOCATED IN APPROXIMATE AREA SHOWN.
5. OPERATING TEMP: FROM 0°C TO +70°C.
6. RJ45 CAVITY CONFORMS TO FCC RULES AND REGULATION PART 68 SUBPART F.
- INDICATED MAGNETIC CONNECTIONS ARE SYMMETRICAL AND
 SUPPORT AUTO-MDI/MDIX.
- DATUM AND BASIC DIMENSION ESTABLISHED BY CUSTOMER.
- BASIC DIMENSION ESTABLISHED BY CUSTOMER, BUT MAY NOT BE
 GREATER THAN 5.08mm.
10. THE PARTS ARE RECOMMENDED FOR WAVE SOLDERING PROCESS,
 PEAK TEMPERATURE 260°C MAX, 10 SECONDS MAX.

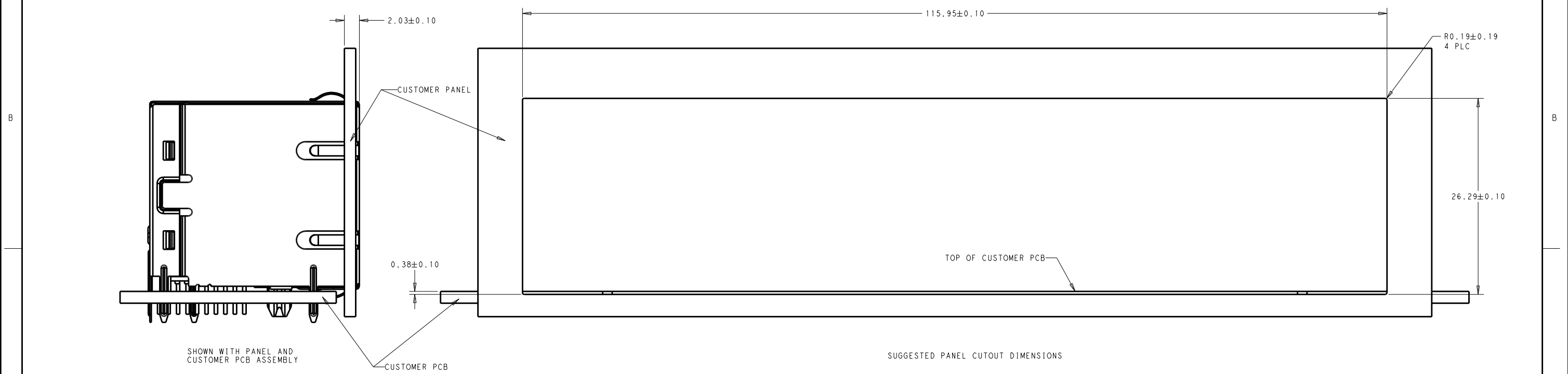
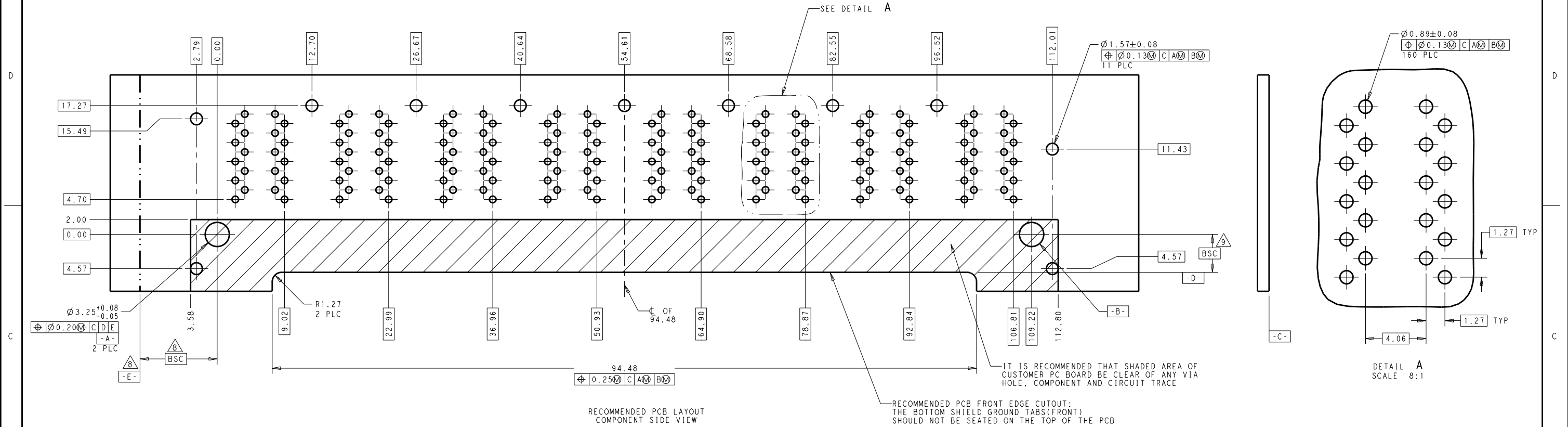
3.56	1840903-4
3.30	1840903-3
2.79	1840903-2
3.04	1840903-1
DIM A	PART NUMBER

THIS DRAWING IS A CONTROLLED DOCUMENT.

DIMENSIONS: mm	TOLERANCES UNLESS OTHERWISE SPECIFIED: 0 PLC ±0.25 1 PLC ±0.25 2 PLC ±0.25 3 PLC ±0.25 4 PLC ±0.25	DWN TOMMY REN 19NOV2009 CHK TONY YUAN 19NOV2009 APVD KELTH ZHU 19NOV2009 MODEL NAME MAGJACK STACK Non-PoE CUSTOMER DRAWING	 DONGGUAN CHINA 2X8 S8G56 GIGABIT W/O LED SIZE A1 CAGE CODE DRAWING NO 1840903 RESTRICTED TO SCALE NTS SHEET 1 OF 3 REV G
-------------------	---	--	--



THIS DRAWING IS A CONTROLLED DOCUMENT.		DRN TOMMY REN 19NOV2009	trp CONNECTOR DONGGUAN CHINA
DIMENSIONS: mm		CHK TONY YUAN 19NOV2009	
		APVD KEITH ZHU 19NOV2009	
TOLERANCES UNLESS OTHERWISE SPECIFIED:		MODEL NAME	DESC
0 PLC ±0.25		MAGJACK	2X8 S8G56 GIGABIT W/O LED
1 PLC ±0.25		STACK Non-PoE	SIZE
2 PLC ±0.25			CAGE CODE
3 PLC ±*			DRAWING NO
4 PLC ±*			1840903
ANGLES			RESTRICTED TO
PRODUCT SPEC	APPLICATION SPEC	CUSTOMER DRAWING	
108-104004			SCALE NTS SHEET 2 OF 3 REV G



THIS DRAWING IS A CONTROLLED DOCUMENT.		DRN TOMMY REN 19NOV2009	DONGGUAN CHINA a bel group
DIMENSIONS: mm		CHK TONY YUAN 19NOV2009	
TOLERANCES UNLESS OTHERWISE SPECIFIED:		APVD KEITH ZHU 19NOV2009	
		MODEL NAME MAGJACK STACK Non-PoE	DESC 2X8 S8G56 GIGABIT W/O LED
PRODUCT SPEC 108-104004	APPLICATION SPEC	SIZE A1	RESTRICTED TO - SCALE NTS SHEET 3 OF 3 REV G