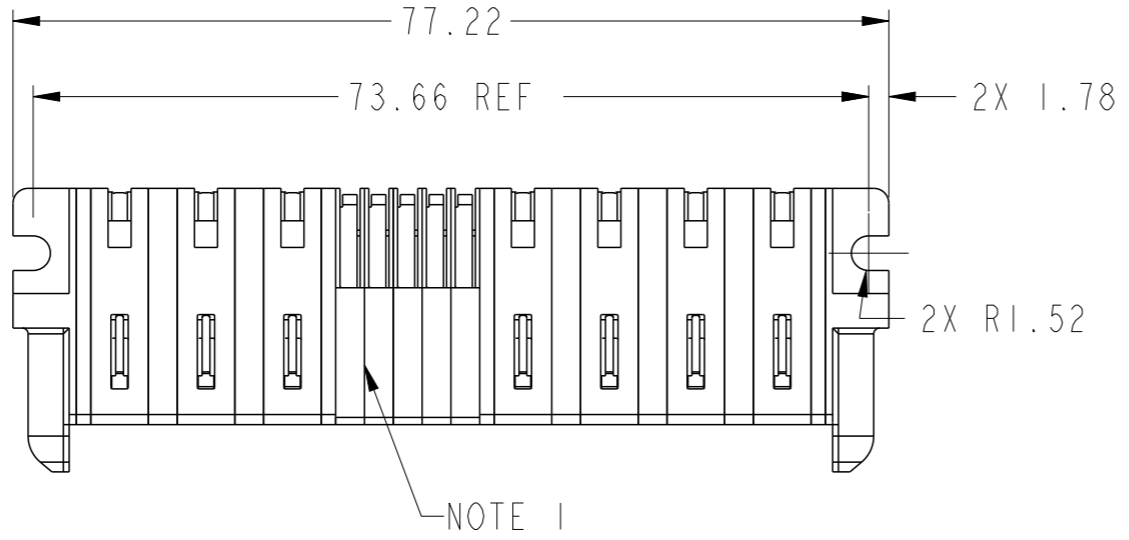
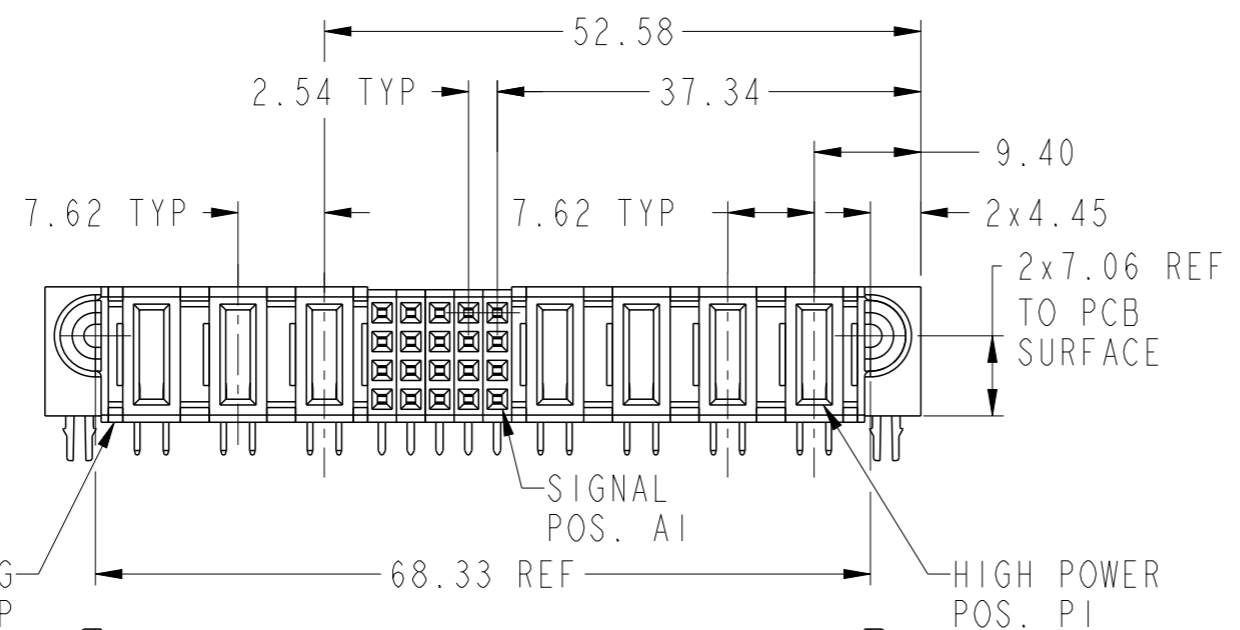


PRODUCT NUMBER SEE SHEET 2

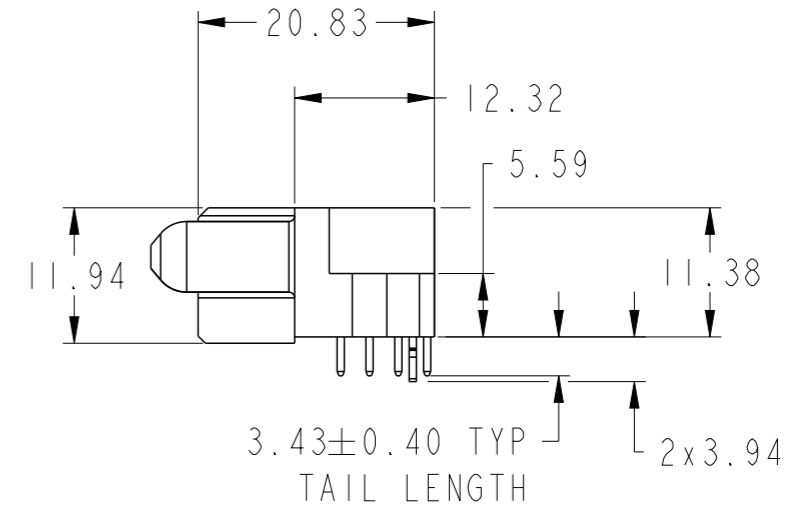
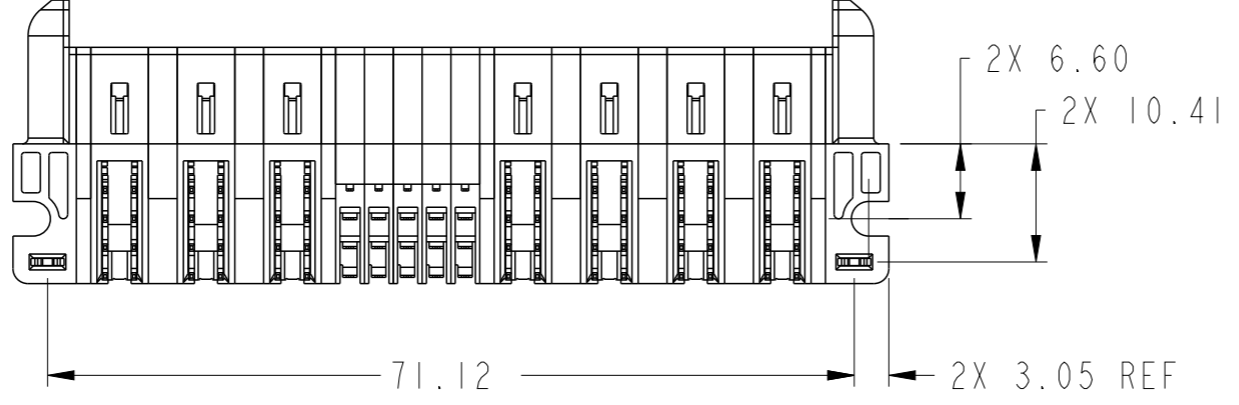


NOTE 1



VOID CORING OPTION, TYP SEE NOTE 9

HIGH POWER POS. P1

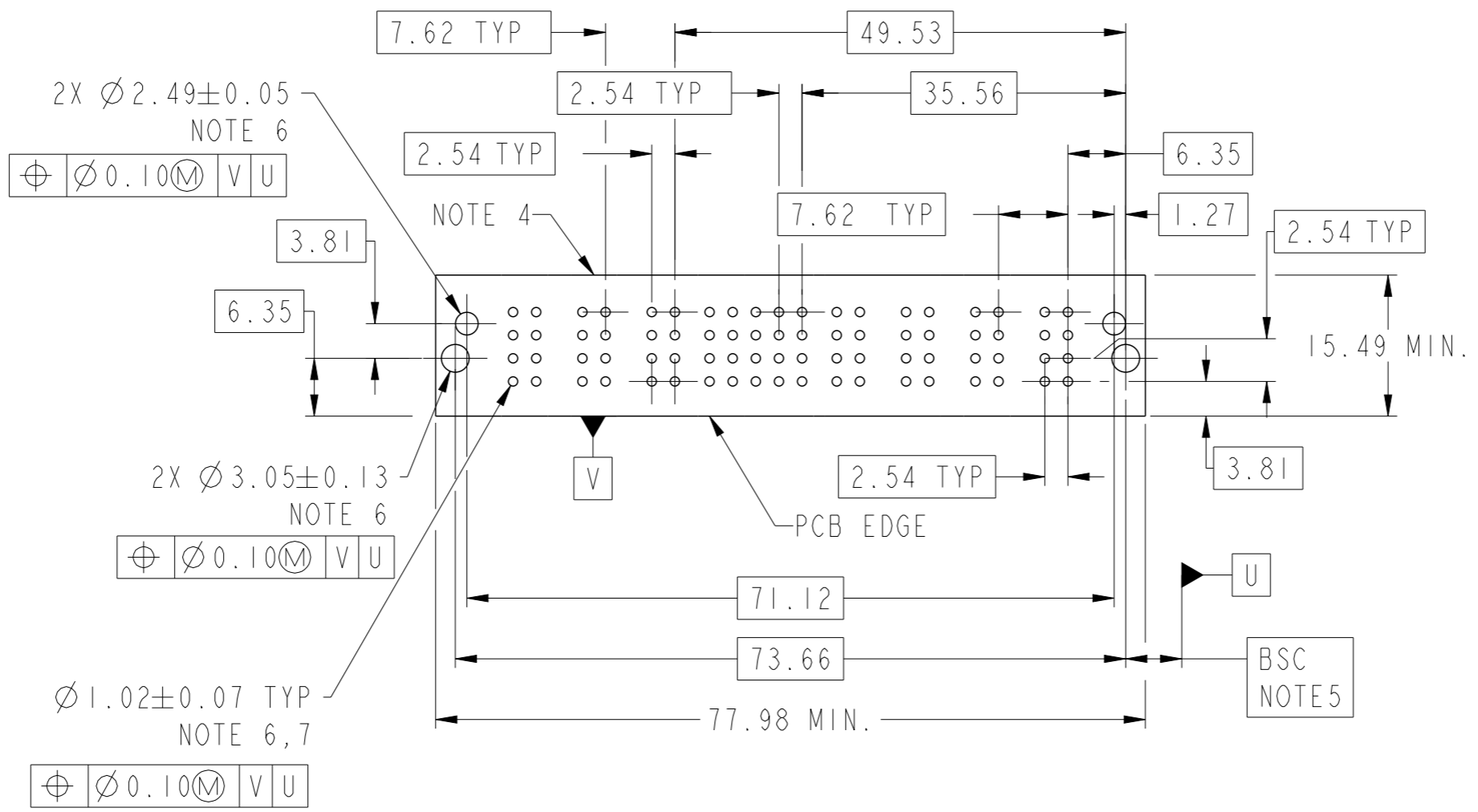


Copyright FCI.

spec ref	*	dr	Zhen-Hua Liu	2015/06/17	projection	MM	size	A3	scale	3:2											
tolerance std	ASME Y14.5	eng	Zhen-Hua Liu	2015/07/17			ecn no	-	rel level	Released											
tolerance std	TOLERANCES UNLESS OTHERWISE SPECIFIED	chr	Fancy Zhang	2015/07/16			product family	PwrBlade+	rel level	Released											
surface	<table border="1"> <tr> <td>linear</td> <td>0.X</td> <td>±0.5</td> </tr> <tr> <td></td> <td>0.XX</td> <td>±0.25</td> </tr> <tr> <td></td> <td>0.XXX</td> <td>±0.10</td> </tr> <tr> <td>angular</td> <td>0°</td> <td>±2°</td> </tr> </table>	linear	0.X	±0.5				0.XX	±0.25		0.XXX	±0.10	angular	0°	±2°	appr	Pei-Ming Zheng	2015/07/16	product family	PwrBlade+	rel level
linear	0.X	±0.5																			
	0.XX	±0.25																			
	0.XXX	±0.10																			
angular	0°	±2°																			
ASME Y14.5	<table border="1"> <tr> <td>linear</td> <td>0.X</td> <td>±0.5</td> </tr> <tr> <td></td> <td>0.XX</td> <td>±0.25</td> </tr> <tr> <td></td> <td>0.XXX</td> <td>±0.10</td> </tr> <tr> <td>angular</td> <td>0°</td> <td>±2°</td> </tr> </table>	linear	0.X	±0.5		0.XX	±0.25		0.XXX	±0.10	angular	0°	±2°			title	4ACP + 20S + 3ACP	dwg no	10106118-7005001	rev	A
linear	0.X	±0.5																			
	0.XX	±0.25																			
	0.XXX	±0.10																			
angular	0°	±2°																			
		www.fci.com		cat. no.	Product - Customer Drw			sheet 1 of 3													

PRODUCT NO.	ROWS	HIGH POWER			SIGNAL				HIGH POWER				E2		
		E1	P7	P6	P5	5	4	3	2	1	P4	P3		P2	P1
10106118-7005001LF	DCBA		H1	H3	H3	H	H	H	H	H	H3	H3	H3	H3	

CODE	DESCRIPTION
E	STD SIGNAL CONTACT, ROW A
F	STD SIGNAL CONTACT, ROW B
G	STD SIGNAL CONTACT, ROW C
H	STD SIGNAL CONTACT, ROW D
H1	MFBL HIGH POWER CONTACT(3.43)
H3	STD HIGH POWER CONTACT(3.43)
HA	METAL HOLD DOWN



dr	Zhen-Hua Liu	2015/06/17	projection		size	A3	scale	3:2
eng	Zhen-Hua Liu	2015/07/17			ecn no	-		
chr	Fancy Zhang	2015/07/16			rel level	Released		
appr	Pei-Ming Zheng	2015/07/16	product family	PwrBlade+				
		title 4ACP + 20S + 3ACP RA STB RECEPTACLE		dwg no 10106118-7005001		rev A		
www.fci.com			cat. no.		Product - Customer Drw		sheet 2 of 3	

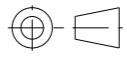
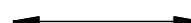

Copyright FCI.

NOTES:

- 1) "FCI", PART NUMBER AND DATE CODE TO BE MARKED ON THIS SURFACE.
THE MARK CAN BE OMITTED IF THERE IS NOT ENOUGH SPACE ON THIS SURFACE.
- 2) MATERIALS:
-HOUSING - GLASS FILLED WITH HIGH TEMP THERMOPLASTIC, UL94V-0.
-SIGNAL CONTACT - COPPER ALLOY.
-POWER CONTACT - HIGH CONDUCTIVITY COPPER ALLOY.
- 3) PLATING SPECIFICATION :10116351
- 4) DENOTES CONNECTOR KEEP OUT ZONE.
- 5) DATUM AND BASIC DIMENIONS WERE ESTABLISHED BY CUSTOMER.
- 6) ALL HOLE DIAMETERS ARE FINISHED HOLE SIZES.
- 7) 1.15 ± 0.025 MM DRILLED HOLE PLATED WITH 0.00762 MM MIN Sn
OVER 0.0254 - 0.0762 MM Cu PLATING TO ACHIEVE A 1.02 ± 0.07 MM HOLE.
- 8) PRODUCT SPECIFICATION :GS-12-658.
APPLICATION SPECIFICATION : GS-20-141.
PRODUCT PACKAGE SPECIFICATION : GS-14-1502.
- 9) THE VOID CORING IN BETWEEN POWER MODULES, SIGNAL
MODULES AND END MODULES ARE OPTIONAL AND THE SHAPE
MAY BE DIFFERENT FOR OPTIMIZE THE MOLDING PROCESS. THE
VOID CORING WILL NOT EFFECT TO PRODUCT FUNCTION.



Copyright FCI.

dr	Zhen-Hua Liu	2015/06/17	projection 	MM 	size	A3	scale	3:2
eng	Zhen-Hua Liu	2015/07/17			ecn no	-		
chr	Fancy Zhang	2015/07/16			product family	PwrBlade+	rel level	Released
appr	Pei-Ming Zheng	2015/07/16						
		title 4ACP + 20S + 3ACP RA STB RECEPTACLE			dwg no 10106118-7005001	rev A		
www.fci.com		cat. no.	Product - Customer Drw		sheet 3 of 3			