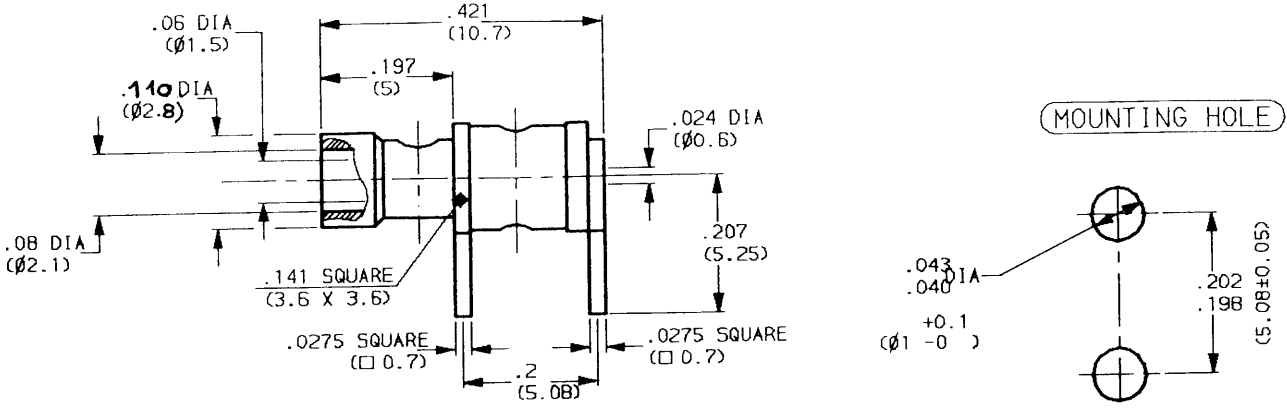


RIGHT ANGLE DIELECTRIC FEEDTHROUGH FOR P.C.B , CABLE 2/50

SERIES:

MCX

01 / 02



WEIGHT 0 oz (..... g)

Cable : RG 178/U , RG 196/U

CHARACTERISTICS

NOMINAL IMPEDANCE	50 Ω	STANDARDISATION	-
FREQUENCY RANGE	0-3 GHz		-
TEMPERATURE RATING	-55/+155 °C		-
VSWR	NA Max		-
RF INSERTION LOSS	NA dB Max	CABLE RETENTION	7.09 Lb Max 32 N Max
VOLTAGE RATING	250 Vrms	CENTER CONTACT RETENTION	
DIELECTRIC WITHSTANDING VOLTAGE	750 Vrms	Axial force - mating end	0 Lb Max NA N Max
INSULATION RESISTANCE	1000 MΩ	Axial force - opposite end	0 Lb Max NA N Max
HERMETIC SEAL	NA cc/s cm ³ /s	Torque (Max)	0.1329 Inch.oz 1.5 cm.N
LEAKAGE (pressurized only)	0 psi NA kg/cm ²	MATING TORQUE RECOMMENDED	0 Inch. Lb NA cm.N
-	-	-	-
-	-	-	-

CONSTRUCTION

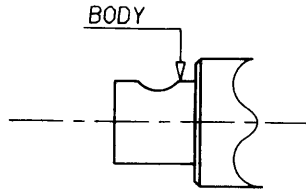
CONNECTOR PARTS	MATERIALS	FINISH
Body	Brass	Gold over nickel
Outer contact	-	-
Center contact	Brass	Gold over nickel
Insulators	PTFE	-
-	-	-
-	-	-
-	-	-
-	-	-
-	-	-

ISSUE	REVISION No	DESCRIPTION	BY	DATE
9347	93.10.009	.106 DIA → .110 DIA	BERTHE	23.11.93

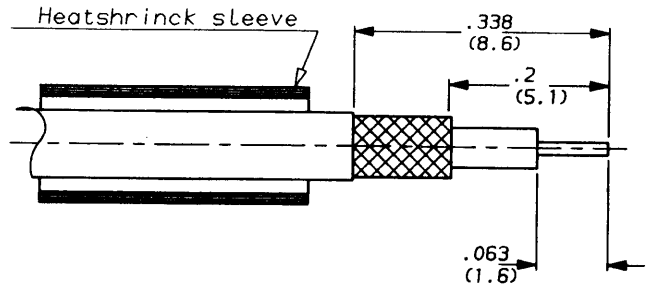
Initiated on 13-02-89
Superseded on _____

The information given here is subject to change without notice. Design changes may be in order to improve the product.

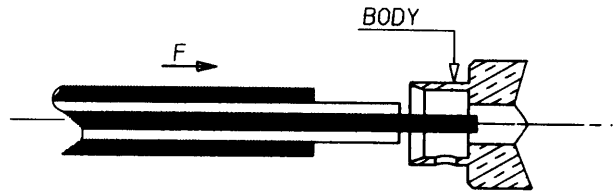




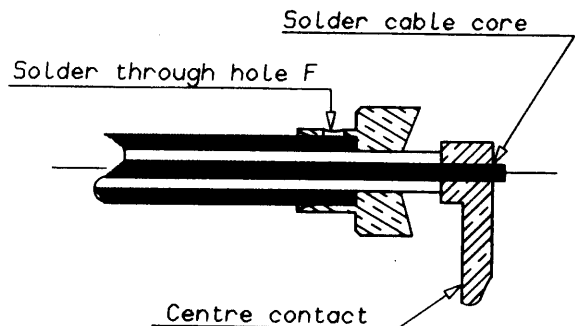
- 1-1 Slide the heatshrink sleeve on the cable .
- 1-2 Strip the cable .



- 2-1 Introduce cable into the connector body until contact with it (according to F direction)



- 3-1 Solder braid through hole F
- 3-2 Solder cable core into the centre contact .
- 3-3 Slide heatshrink sleeve bottoms body shoulder .
- 3-4 Heatshrink the heatshrinkable sleeve between 275°F (135°C) and 482°F (250°C)



IND	No MODIF	OBJET	VISA	DATE
.
.
.
.

Creation Date 19 04 89

Mise a jour Date _____

Ces renseignements sont donnés a titre indicatif. Dans le but constant d'améliorer nos produits, nous nous réservons le droit d'apporter toutes modifications jugées utiles.



101, Rue Ph. Hoffmann - Z.I. Ouest
93116 ROSNY/S/BOIS Cedex (France)
Tel. : (1) 48 54 80 40
Fax : (1) 48 54 63 63
Telex: Radia A 220673 F