

LOC	DIST	REV	DATE	BY	APPV
AD	00	D	10APR2015	AP	DD

REVISIONS

REVISIONS

DESCRIPTION

DATE

DWN

APPV

REVISIONS

DESCRIPTION

DATE

DWN

APPV

REVISIONS

DESCRIPTION

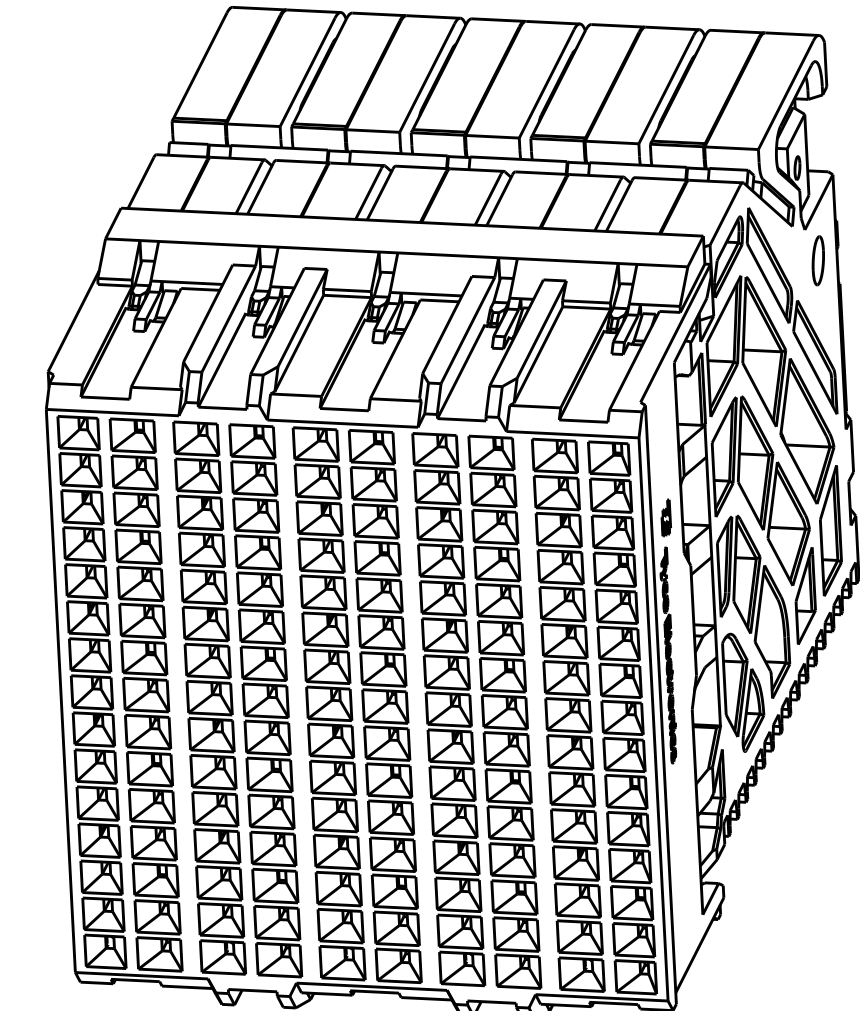
DATE

DWN

APPV

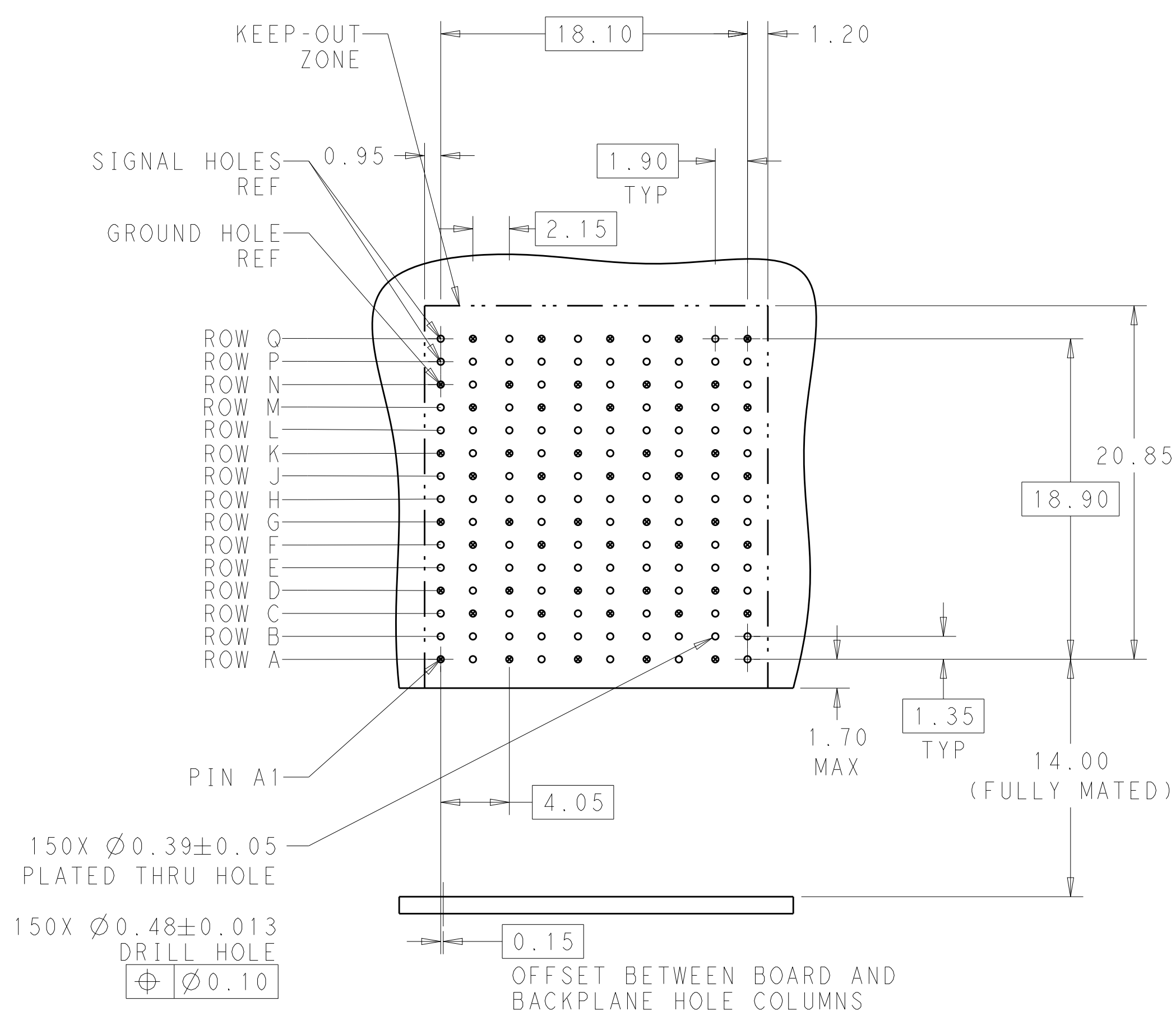
⚠ MATERIAL:
HOUSING: LCP, GLASS FILLED, UL94V-0.
TERMINALS: HIGH PERFORMANCE COPPER ALLOY.

⚠ FINISH:
30μ" SELECTIVE GOLD IN CONTACT AREA. SELECTIVE TIN ON PCB TAILS, NICKEL OVERALL.



SCALE 4:1

REFER TO WWW.TE.COM FOR PRODUCT AVAILABILITY



150X $\varnothing 0.39 \pm 0.05$ PLATED THRU HOLE

150X $\varnothing 0.48 \pm 0.013$ DRILL HOLE

$\varnothing 0.10$

KEEP-OUT ZONE

SIGNAL HOLES REF

GROUND HOLE REF

ROW Q

ROW P

ROW N

ROW M

ROW L

ROW K

ROW J

ROW H

ROW G

ROW F

ROW E

ROW D

ROW C

ROW B

ROW A

PIN A1

150X $\varnothing 0.39 \pm 0.05$ PLATED THRU HOLE

150X $\varnothing 0.48 \pm 0.013$ DRILL HOLE

$\varnothing 0.10$

OFFSET BETWEEN BOARD AND BACKPLANE HOLE COLUMNS

RECOMMENDED PCB LAYOUT

MIN BOARD THICKNESS 1.0

NONE	⚠	2132695-1
KEY POSITION	FINISH	PART NUMBER
<p>THIS DRAWING IS A CONTROLLED DOCUMENT.</p> <p>DWN: 29APR2011</p> <p>CHK: D. DIXON 29APR2011</p> <p>APPV: D. DIXON 29APR2011</p> <p>NAME: IMPACT, ORTHOGONAL, 5 PAIR, DAUGHTERCARD, 10 COLUMN, NO GUIDE, SIGNAL MODULE, 0.39 EYELET</p> <p>SIZE: A1</p> <p>CAGE CODE: 00779</p> <p>DRAWING NO: 2132695</p> <p>RESTRICTED TO: -</p>		
CUSTOMER DRAWING		SCALE: 6:1 SHEET 1 OF 1 REV D