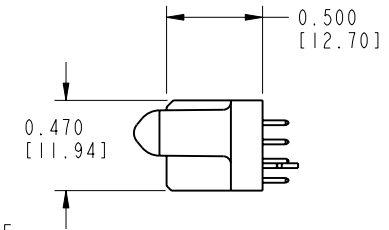
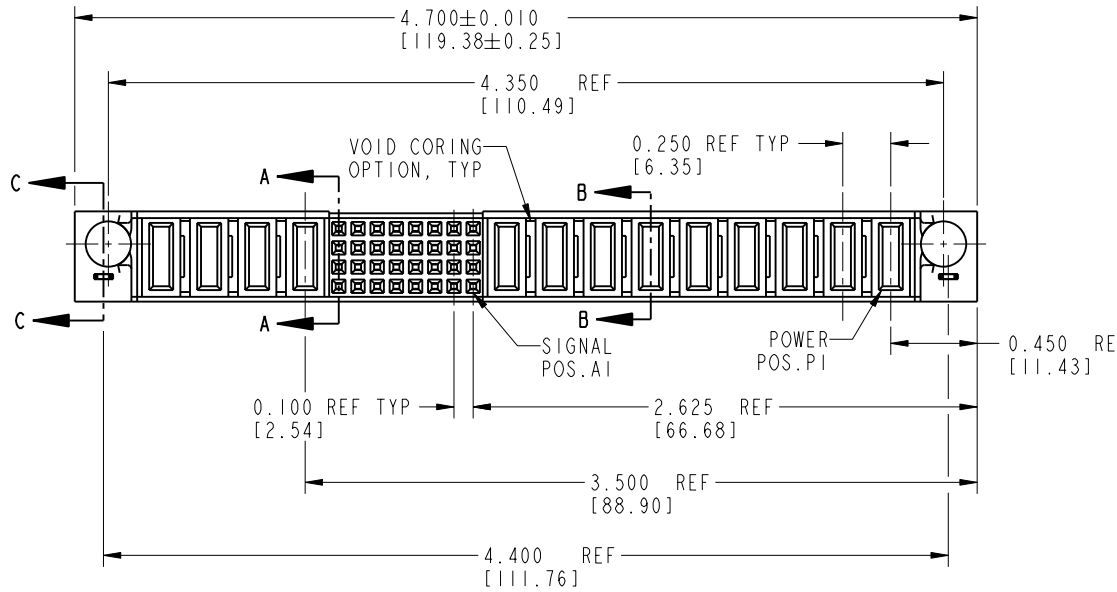


Tous droits strictement reserves. Reproduction ou communication o des liers interalle sous quelque forme que ce soit sans autorisation écrite du propriétaire. Propriete de c FCI. Droits de reproduction FCI.

All rights strictly reserved. Reproduction or issue to third parties in any form whatever is not permitted without written authority from the proprietor. Property of FCI. Copyright FCI.

PRODUCT No.	ROWS	POWER				SIGNAL					POWER														
		F2	P13	P12	P11	P10	8	7	6	5	4	3	2	1	P9	P8	P7	P6	P5	P4	P3	P2	P1	F1	
51633-001-- NOTE: 2	D C B A	HA	PA	PA	PA	PA	E	E	E	E	E	E	E	E	PA	PA	PA	PA	PA	PA	X	PA	PA	HA	



CODE	CONTACT TYPE
E	SIGNAL
PA	POWER
HA	HOLD-DOWN
X	OMITTED

mat'l code		NOTE 1		tolerances unless otherwise specified		CUSTOMER COPY		www.fciconnect.com		
ltr	ecn no.	dr	date	linear	.XX±.01/.X±.3	projection		title		
H	DG05-0375	GuoJM	10/07/05	angles	.XXX±.005/.XX±.13	INCH / MM		9P + 32S + 4P VERTICAL SOLDER RECEPTACLE		
				dr	.XXX±.0020/.XXX±.050		scale	product family	PwrBlade	code
				enqr	0°±2°		1:1	size	dwg no	213
				chr			A	51633	SHEET 1 OF 3	
				appd						
sheet index	revision sheet	H	H	H						
		1	2	3						

form no. 7530-001-103

code code 22526

PDM: Rev:H

STATUS: Released

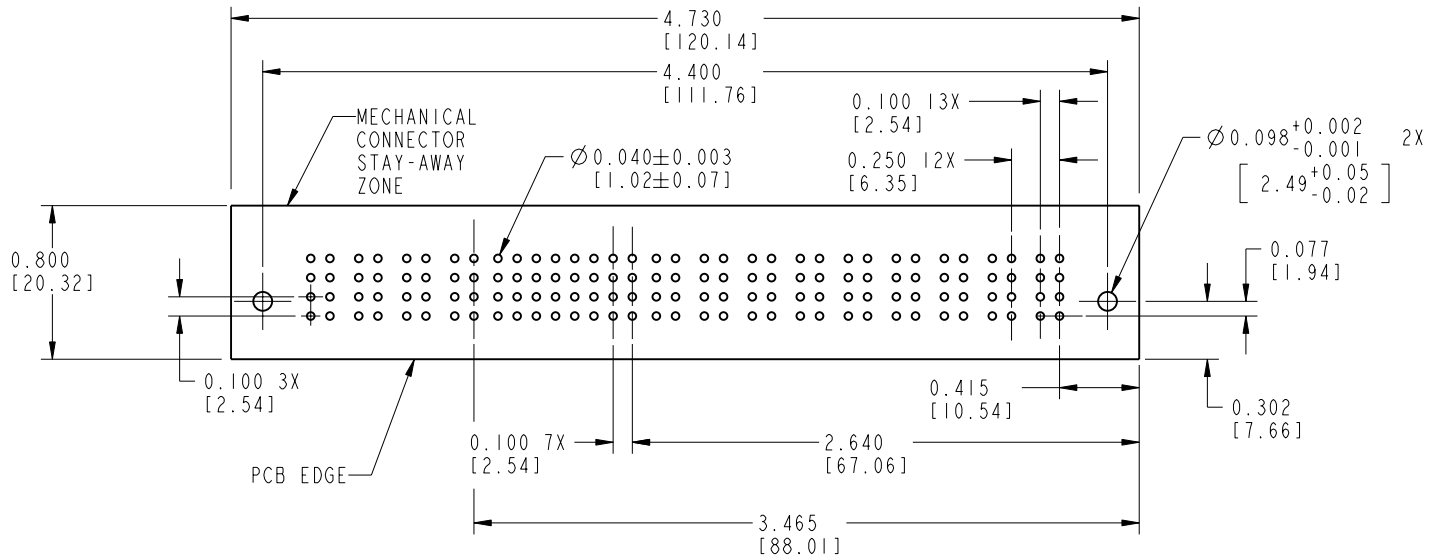
Printed: Dec 20, 2010

Tous droits strictement réservés. Reproduction ou communication o des liens interdite sous quelque forme que ce soit sans autorisation écrite du propriétaire. Propriete de c FCI. Droits de reproduction FCI.

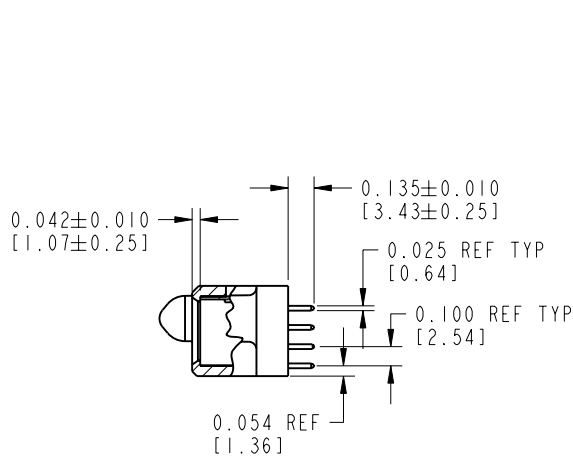
FCI

All rights strictly reserved. Reproduction or issue to third parties in any form, whomever is not permitted without written authority from the proprietor. Property of FCI. Copyright FCI.

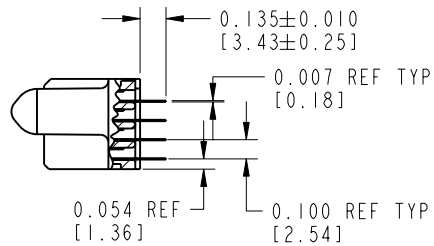
PRODUCT NUMBER
51633-001--
NOTE: 2



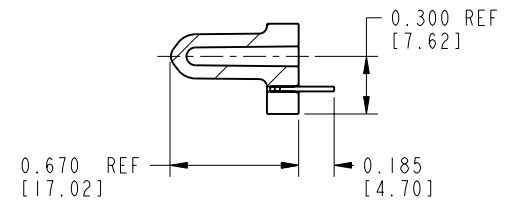
RECOMMENDED PCB LAYOUT



SECTION B-B



SECTION A-A



SECTION C-C

mat'l code				tolerances unless otherwise specified		CUSTOMER COPY		 www.fciconnect.com	
lfr	ecr no.	dr	date	linear	.XX±.01/.X±.3	projection			title
H				angles	.XXX±.005/.XX±.13		9P + 32S + 4P VERTICAL SOLDER RECEPTACLE		
				dr	.XXX±.0020/.XXX±.050	INCH / MM	product family	Pwr Blade	code
				engr	0°±2°	scale	size	51633	213
				chr		1:1	dwg no		SHEET
				appd			A		2
sheet index	revision sheet								

Tous droits strictement réservés. Reproduction ou communication o des liers interdite sous quelque forme que ce soit sans autorisation écrite du propriétaire. Propriete de c FCI. Droits de reproduction FCI.

A
FCI

All rights strictly reserved. Reproduction or issue to third parties in any form, whenever is not permitted without written authority from the proprietor. Property of FCI. Copyright FCI.

PRODUCT NUMBER	1 2													3	4																																																																																																																																	
51633-001 -- NOTE: 2																																																																																																																																																
<p>CONNECTOR NOTES:</p> <p>1. HOUSING MATERIAL: GLASS FILLED HIGH TEMP THERMOPLASTIC, UL94 V-0 SIGNAL CONTACT MATERIAL: COPPER ALLOY POWER CONTACT MATERIAL: COPPER ALLOY</p> <p>2. PLATING:</p> <p style="margin-left: 40px;">51633-001 Singal Pin: 30u"/0.76um Au OVER 50u"/1.27um Ni ON THE CONTACT AREA, AND 100u"/2.54um SnPb PLATING OVER 50u"/1.27um Ni ON THE TERMINATION SECTION. Power Pin: 30u"/0.76um Au OVER 50u"/1.27um Ni ON THE CONTACT AREA, AND 100u"/2.54um SnPb PLATING OVER 50u"/1.27um Ni ON THE TERMINATION SECTION.</p> <p style="margin-left: 40px;">51633-001LF Singal Pin: 30u"/0.76um Au OVER 50u"/1.27um Ni ON THE CONTACT AREA, AND 78u"/2.00um Sn PLATING OVER 50u"/1.27um Ni ON THE TERMINATION SECTION. Power Pin: 30u"/0.76um Au OVER 50u"/1.27um Ni ON THE CONTACT AREA, AND 78u"/2.00um Sn PLATING OVER 50u"/1.27um Ni ON THE TERMINATION SECTION.</p> <p style="margin-left: 40px;">PART NUMBER 51633-001LF MEETS EUROPEAN UNION DIRECTIVE AND OTHER COUNTRY REGULATIONS AS DESCRIBED IN GS-22-008.</p> <p style="margin-left: 40px;">THE HOUSING WILL WITHSTAND EXPOSURE TO 260° PEAK TEMPERATURE FOR 10 SECONDS IN A WAVE SOLDER APPLICATION WITH A CIRCUIT BOARD.</p> <p>3. MANUFACTURER NAME, P/N, AND DATE CODE TO APPEAR ON THIS SURFACE.</p> <p>PCB NOTES:</p> <p>4. ALL DIMENSIONS ARE BASIC UNLESS OTHERWISE SPECIFIED. 5. ALL THROUGH HOLES ARE LOCATED WITH A TRUE POSITION OF 0.004 [0.10] 6. ALL HOLE DIAMETERS ARE FINISHED HOLE SIZE 7. Ø0.098 [2.49] THROUGH HOLES ARE UNPLATED 8. Ø0.0453±0.0010 [1.151±0.025] DRILLED HOLES PLATED WITH 0.0003 [0.008] MIN SnPb OVER 0.001 [0.03] TO 0.003 [0.08] Cu PLATING TO ACHIEVE A Ø0.040±0.003 [1.02±0.07] HOLE.</p>																																																																																																																																																
<table border="1" style="width: 100%; border-collapse: collapse;"> <tr> <td colspan="4">mat'l code</td> <td colspan="4">tolerances unless otherwise specified</td> <td colspan="2">CUSTOMER</td> <td colspan="5" style="text-align: center;">A FCI www.fciconnect.com</td> </tr> <tr> <td>lfr</td> <td>ecn no.</td> <td>dr</td> <td>date</td> <td rowspan="2">linear</td> <td colspan="4">.XX±.01/.X±.3</td> <td colspan="2">COPY</td> <td colspan="5" rowspan="2"> </td> </tr> <tr> <td>H</td> <td></td> <td></td> <td></td> <td colspan="4">.XXX±.005/.XX±.13</td> <td colspan="2">projection</td> </tr> <tr> <td></td> <td></td> <td></td> <td></td> <td rowspan="2">angles</td> <td colspan="4">.XXX±.0020/.XXX±.050</td> <td colspan="2" rowspan="2"> </td> <td colspan="2">product family</td> <td colspan="3">code</td> </tr> <tr> <td></td> <td></td> <td></td> <td></td> <td colspan="2">dr</td> <td colspan="2">C. BAROT 03/08/99</td> <td colspan="2">PWRBLADE</td> <td colspan="3">213</td> </tr> <tr> <td></td> <td></td> <td></td> <td></td> <td colspan="2">engr</td> <td colspan="2">J. BROWN 03/08/99</td> <td colspan="2">size</td> <td colspan="2">dwg no</td> <td colspan="3">SHEET</td> </tr> <tr> <td></td> <td></td> <td></td> <td></td> <td colspan="2">chr</td> <td colspan="2">J. BROWN 03/08/99</td> <td colspan="2">scale</td> <td colspan="2">A</td> <td colspan="3">3</td> </tr> <tr> <td></td> <td></td> <td></td> <td></td> <td colspan="2">appd</td> <td colspan="2">J. BROWN 03/08/99</td> <td colspan="2">1:1</td> <td colspan="2">51633</td> <td colspan="3">3</td> </tr> <tr> <td colspan="2">sheet index</td> <td colspan="2">revision sheet</td> <td colspan="2"></td> <td colspan="2"></td> <td colspan="2"></td> <td colspan="2"></td> <td colspan="3"></td> </tr> </table>															mat'l code				tolerances unless otherwise specified				CUSTOMER		A FCI www.fciconnect.com					lfr	ecn no.	dr	date	linear	.XX±.01/.X±.3				COPY							H				.XXX±.005/.XX±.13				projection						angles	.XXX±.0020/.XXX±.050						product family		code							dr		C. BAROT 03/08/99		PWRBLADE		213							engr		J. BROWN 03/08/99		size		dwg no		SHEET							chr		J. BROWN 03/08/99		scale		A		3							appd		J. BROWN 03/08/99		1:1		51633		3			sheet index		revision sheet												
mat'l code				tolerances unless otherwise specified				CUSTOMER		A FCI www.fciconnect.com																																																																																																																																						
lfr	ecn no.	dr	date	linear	.XX±.01/.X±.3				COPY																																																																																																																																							
H					.XXX±.005/.XX±.13				projection																																																																																																																																							
				angles	.XXX±.0020/.XXX±.050						product family		code																																																																																																																																			
					dr		C. BAROT 03/08/99				PWRBLADE		213																																																																																																																																			
				engr		J. BROWN 03/08/99		size		dwg no		SHEET																																																																																																																																				
				chr		J. BROWN 03/08/99		scale		A		3																																																																																																																																				
				appd		J. BROWN 03/08/99		1:1		51633		3																																																																																																																																				
sheet index		revision sheet																																																																																																																																														
<table border="1" style="width: 100%; border-collapse: collapse;"> <tr> <td style="width: 20%; padding: 5px;">form no. 7530-001-103</td> <td colspan="3" style="text-align: center;">1 2</td> <td colspan="10"></td> <td style="text-align: center;">3 </td> <td style="text-align: right;">4</td> </tr> <tr> <td colspan="14"></td> <td style="text-align: right; padding: 5px;">cage code 22526</td> </tr> </table>															form no. 7530-001-103	1 2													3	4															cage code 22526																																																																																																			
form no. 7530-001-103	1 2													3	4																																																																																																																																	
														cage code 22526																																																																																																																																		