

NOTES:  
 1. MATERIALS AND FINISHES:  
 BODY - BRASS, NICKEL PLATING  
 CONTACT - BERYLLIUM COPPER, SILVER PLATING  
 INSULATOR - PTFE

2. ELECTRICAL:  
 A. DIELECTRIC WITHSTANDING VOLTAGE: 5000 VRMS, MIN.  
 B. INSULATION RESISTANCE: 5000 MΩ MIN

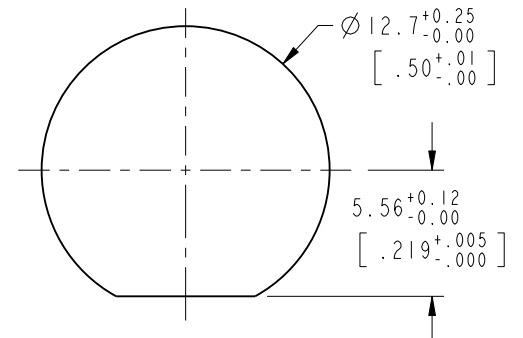
3. MECHANICAL:  
 A. DURABILITY: 500 CYCLES MIN.  
 B. TEMPERATURE RANGE: -65 °C TO +165 °C

4. PACKAGING:  
 A. QUANTITY: SINGLE PACK  
 B. MARKING: BAG TO BE MARKED:  
 "AMPHENOL, 10400, AND DATE CODE"

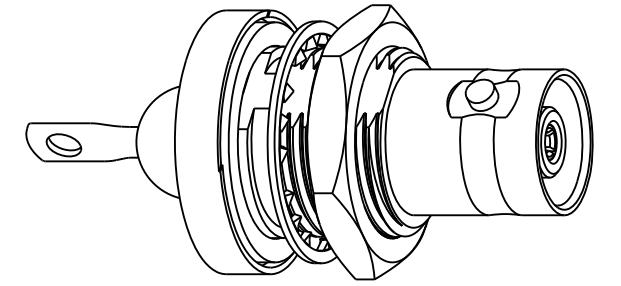
THIRD ANGLE PROJ.

REVISIONS

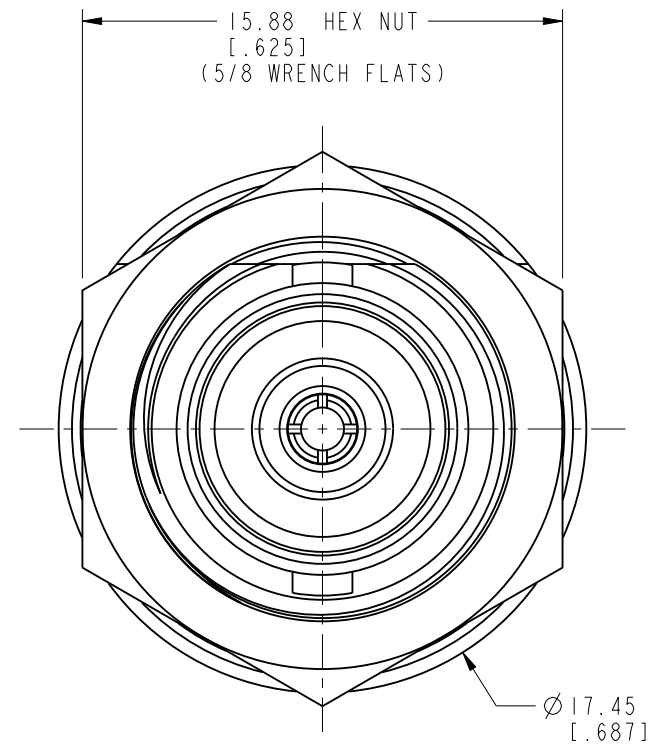
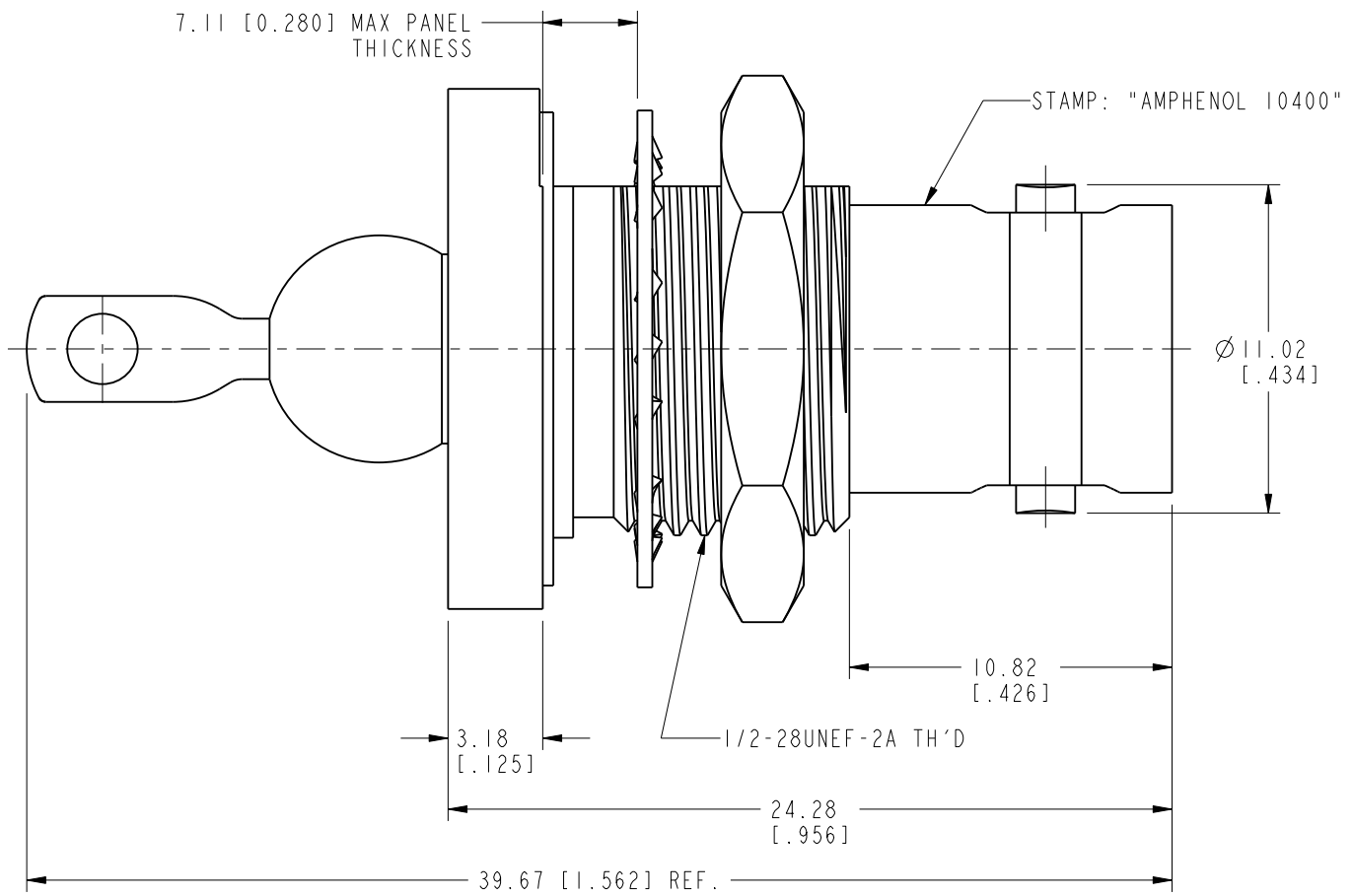
REV	DESCRIPTION	DATE	ECO	APPR
--	RELEASE TO MFG	---	---	---
W	REDRAWN IN PRO-E\RD-DAI2032001T1	29-Mar-12	49008	SH



**RECOMMENDED MOUNTING HOLE DIMENSIONS**



SCALE 2.000



**CUSTOMER OUTLINE DRAWING**  
 ALL OTHER SHEETS ARE FOR INTERNAL USE ONLY

UNLESS OTHERWISE SPECIFIED, DIMENSIONS ARE IN METRIC AND TOLERANCES ARE: <0.5mm ±0.05mm    0.5 - 6mm ±0.1mm    6 - 30mm ±0.2mm    30 - 120mm ±0.3mm    ANGLES ±1°	MATERIAL SEE NOTES	DRAWN T. DENG	DATE 26-Mar-12	TITLE MHV TYPE PRESSURIZED RECEPTACLE 5000 VOLTS	Amphenol RF www.amphenolrf.com
	REFERENCE	ENGINEER HH	DATE 19-Dec-60		
NOTICE - These drawings, specifications, or other data (1) are, and remain the property of Amphenol corp. (2) must be returned upon request; and (3) are confidential and not to be disclosed to any person other than those to whom they are given by Amphenol Corp. the finishing of these drawings, specifications, or other data by Amphenol Corp., or to any other person to anyone for any purpose is not to be regarded by implication or otherwise in any manner licensing, granting rights to permitting such holder or any other sperson to manufacture, use or sell any product, process or design, patented or otherwise, that may in any way be related to or disclosed by said drawings, specifications, or other data.	CONFIGURATION LEVEL:	APPROVED S. HSIEH	DATE 29-Mar-12	SCALE: 4.0:1.0   SHEET 2 OF 2	ITEM NO. 10400
	FINISH	CAD FILE	DWG SIZE B	REV W	PART NO. 10400