

4

3

2

1

THIS DRAWING IS UNPUBLISHED.

RELEASED FOR PUBLICATION

- . - .

© COPYRIGHT - BY TYCO ELECTRONICS CORPORATION.

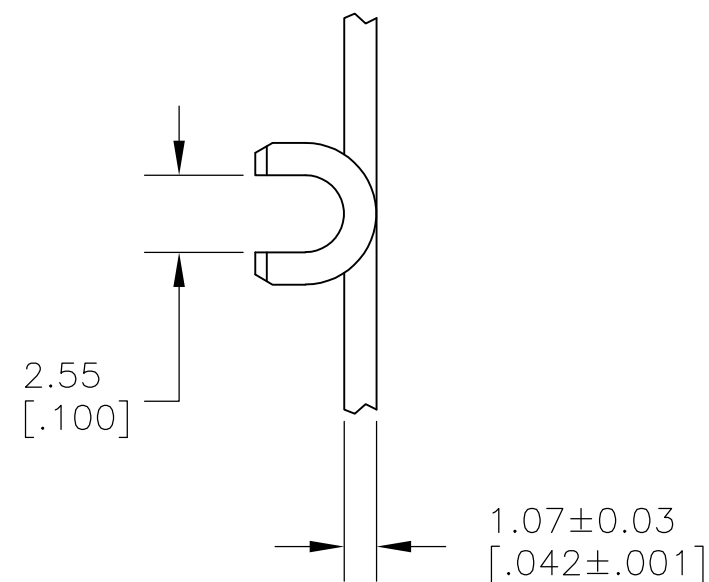
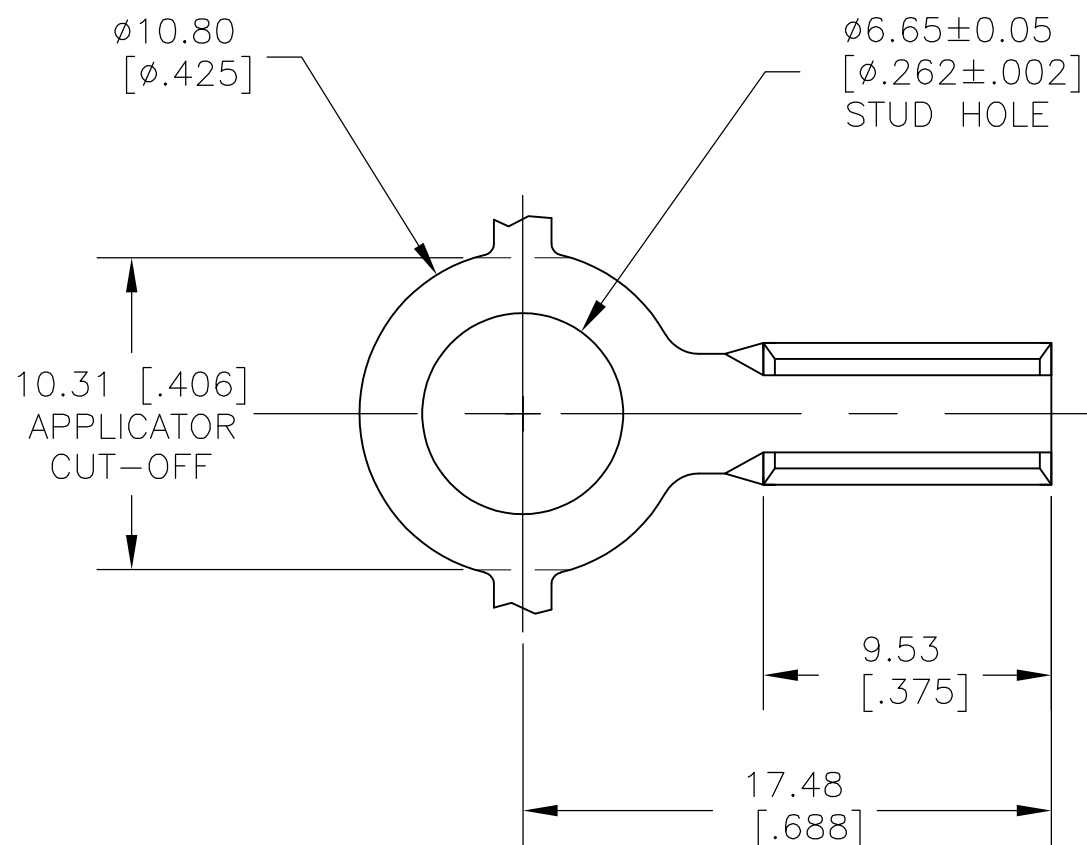
ALL RIGHTS RESERVED.

LOC
AFDIST
50

REVISIONS

P	LTR	DESCRIPTION	DATE	DWN	APVD
	A1	REVISED PER ECR-10-018126	18SEP10	HMR	PD

- 1 CONTINUOUS STRIP ON REELS
- 2 TO BE USED WITH SPECIAL 1/16" [.062] DIA GALVANIZED STEEL CABLE.



1742777-1

PART NO

THIS DRAWING IS A CONTROLLED DOCUMENT.		DWN jr_ruth 23JAN09	Tyco Electronics Corporation Harrisburg, PA 17105-3608													
DIMENSIONS: MM [INCHES]		CHK DON DECKER 23JAN09	NAME DON DECKER													
TOLERANCES UNLESS OTHERWISE SPECIFIED:		APVD DON DECKER 23JAN09	PRODUCT SPEC													
<table border="0"> <tr><td>0 PLC</td><td>± -</td></tr> <tr><td>1 PLC</td><td>± -</td></tr> <tr><td>2 PLC</td><td>± 0.25 [.010]</td></tr> <tr><td>3 PLC</td><td>± -</td></tr> <tr><td>4 PLC</td><td>± -</td></tr> <tr><td>ANGLES</td><td>± 5°</td></tr> </table>		0 PLC	± -	1 PLC	± -	2 PLC	± 0.25 [.010]	3 PLC	± -	4 PLC	± -	ANGLES	± 5°	APPLICATION SPEC		SIZE A3
0 PLC	± -															
1 PLC	± -															
2 PLC	± 0.25 [.010]															
3 PLC	± -															
4 PLC	± -															
ANGLES	± 5°															
MATERIAL CR STEEL	FINISH NICKEL PLATE	WEIGHT -	CAGE CODE 00779	DRAWING NO G-1742777												
CUSTOMER DRAWING			RESTRICTED TO -	SCALE 4:1												
			SHEET 1 OF 1	REV A1												