

CABLE, ELECTRIC, FILTER LINE - ELECTROLOSS™
ONE COMPONENT

5 December 1985

150°C

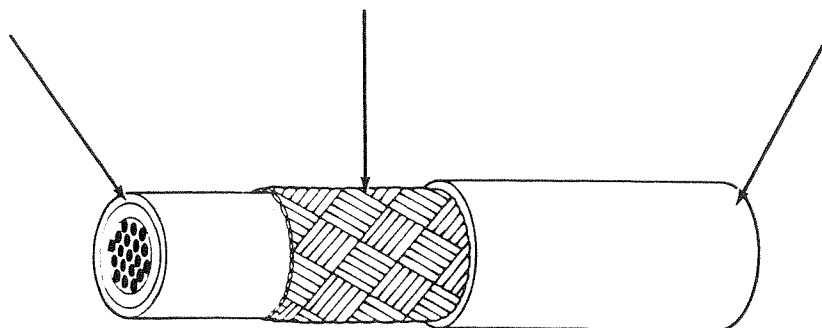
Revision D

The complete requirements for procuring the cable described herein shall consist of this document and the issue in effect of Raychem Specification 55F.

COMPONENT WIRE - 55FA0414

SHIELD - TIN-COATED COPPER

JACKET - RADIATION-CROSSLINKED,
MODIFIED CONDUCTIVE ETFE



PART NUMBER	CONDUCTOR SIZE (AWG)	SHIELD SIZE (AWG)	JACKET THICKNESS (in.)		OUTSIDE DIAMETER (in.)		MAXIMUM WEIGHT (lbs/1000 ft.)
			MINIMUM	NOMINAL 1/	NOMINAL 1/	MAXIMUM	
			55FB1414-26-*	26	38	.006	
55FB1414-24-*	24	38	.006	.008	.086	.090	8.5

1/ Nominal values are for information only. Nominal values are not requirements.

CABLE RATINGS AND ADDITIONAL REQUIREMENTS

TEMPERATURE RATING: 150°C
 Maximum continuous conductor temperature
 VOLTAGE RATING: 600 volts (rms) at sea level
 BLOCKING: 200 ± 3°C for 6 hours
 COLOR STRIPING DURABILITY: 125 cycles (250 strokes) (minimum), 500 grams weight
 CROSSLINKING PROOF TEST (ACCELERATED AGING): 300 ± 3°C for 7 hours
 FLAMMABILITY: 3 seconds (maximum); 3 in. (maximum); no flaming of facial tissue
 IDENTIFICATION DURABILITY: 125 cycles (250 strokes) (minimum), 500 grams weight
 IMMERSION: 5% (maximum) diameter increase, no cracking of jacket
 JACKET COLOR: Black
 JACKET CONCENTRICITY: 70% (minimum)
 JACKET ELONGATION AND TENSILE STRENGTH:
 Elongation, 50% (minimum)
 Tensile Strength, 3500 psi (minimum)

JACKET FLAWS: Not Applicable
 LIFE CYCLE: 200 ± 3°C for 168 hours
 LOW TEMPERATURE-COLD BEND: -65 ± 2°C for 4 hours
 SHIELD COVERAGE: 85% (minimum)
 THERMAL SHOCK: Oven temperature, 150 ± 3°C .125 in. (maximum)
 VOLTAGE WITHSTAND (DIELECTRIC): Conductor to shield, 1500 volts (rms), 60 Hz
 VOLTAGE WITHSTAND (POST-ENVIRONMENTAL): Not Applicable

PART NUMBER:
 The "*" in the part numbers above shall be replaced by color code designators in accordance with MIL-STD-681; except that violet shall be light violet and the designator shall be 7L; with a dash separating the component wire color from the jacket color.
 Example: AWG 24, light violet component wire, black jacket: 55FB1414-24-7L-0.