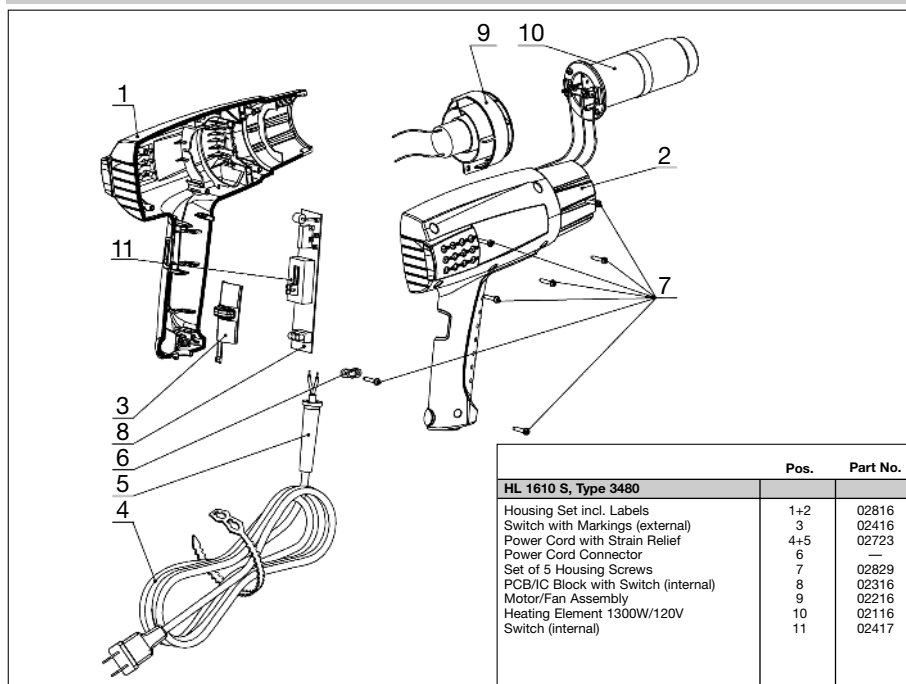


## Spare Parts List HL 1610 S



## Wiring Diagram HL 1610 S

