

4

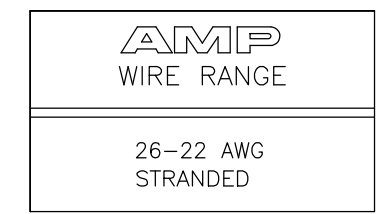
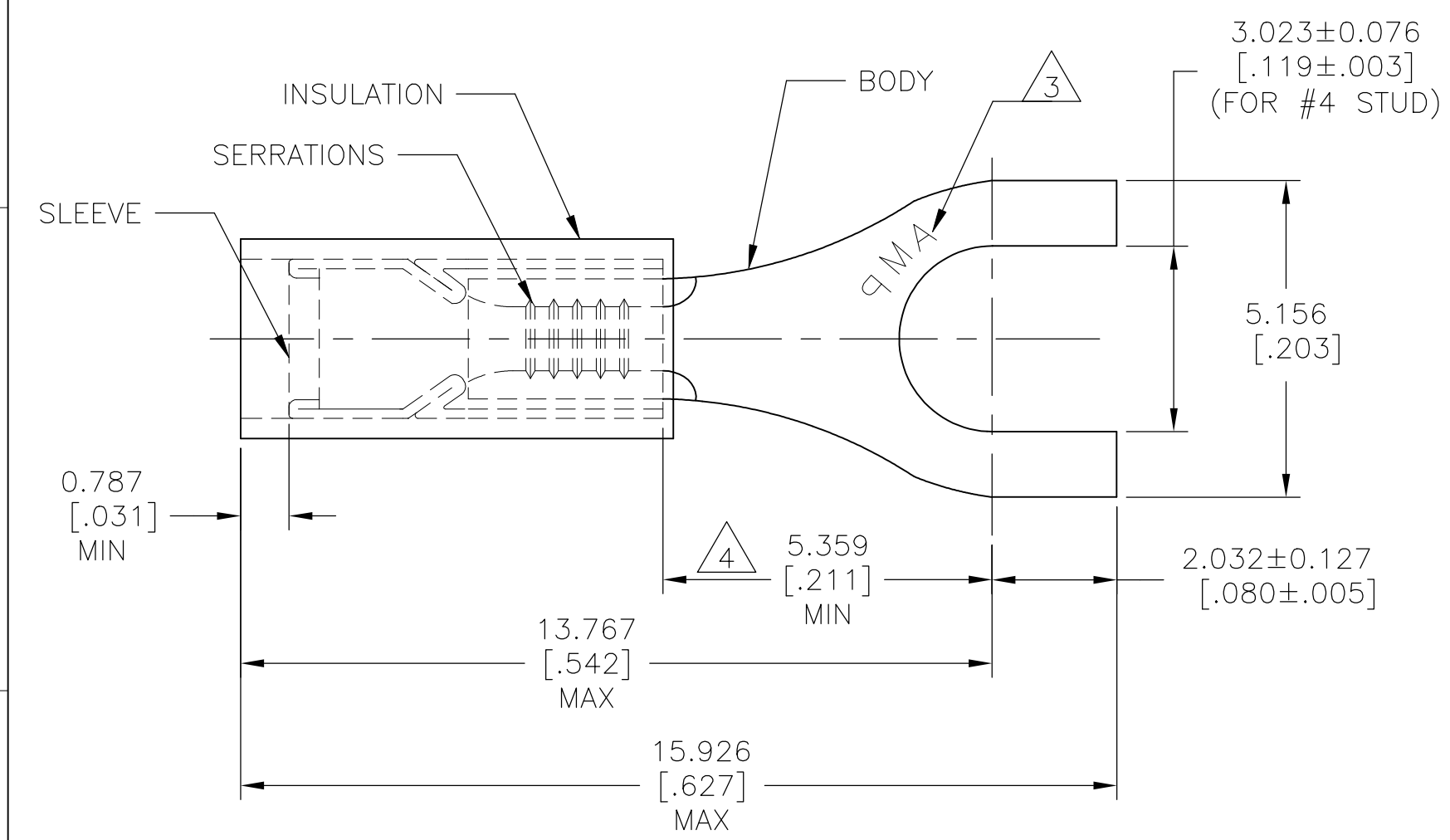
3

2

1

THIS DRAWING IS UNPUBLISHED. RELEASED FOR PUBLICATION
 © COPYRIGHT - By - ALL RIGHTS RESERVED.

| REVISIONS | | | | | |
|-----------|-----|-------------------------------|-----------|-----|------|
| P | LTR | DESCRIPTION | DATE | DWN | APVD |
| | M2 | NEW DRAWING PER ECO-11-019045 | 03APR12 | KH | DR |
| | M3 | REVISED PER ECO-17-008114 | 01JUN2018 | RS | DR |



- 1 TONGUE MATERIAL THK: 0.457±0.051 [.018±.002]
- 2 FOR WIRE INSULATION DIA: 1.270 [.050] TO 2.083 [.082]
- 3 STAMP AMP APPROX AS SHOWN
- 4 DIMENSION APPLIES FROM EDGE OF METAL WIRE BARREL TO CENTER OF STUD
- 5 MATERIAL: BODY & SLEEVE: COPPER PER ASTM B152
INSULATION : NYLON
- 6 FINISH: BODY & SLEEVE: TIN PLATE PER ASTM B545
INSULATION: COLOR-YELLOW

| | | |
|------|--------------|---------|
| 1000 | LOOSE PC | 321035 |
| QTY | PACKAGE TYPE | PART NO |

AMP INCORPORATED
CUSTOMER SERVICE SYSTEMS

FOR ADDITIONAL PRODUCT INFORMATION OR COPIES OF DRAWINGS AND TECHNICAL DOCUMENTS
 PRODUCT INFORMATION CENTER
 1-800-522-6752

FOR APPLICATION TOOLING INFORMATION
 TOOLING ASSISTANCE CENTER
 1-800-722-1111

FOR ORDER ENTRY
 1-800-526-5142

RECOMMENDED OPERATING TEMPERATURE:
 105°C [221°F]

VOLTAGE RATING:
 300 V MAX

WIRE CROSS SECTIONAL AREA RANGE:
 0.10-0.41mm² [202-810] CIR.MIL STRANDED

THIS DRAWING IS A CONTROLLED DOCUMENT.

| | |
|----------------------------|--|
| DIMENSIONS: mm [INCHES] | TOLERANCES UNLESS OTHERWISE SPECIFIED: |
| | 0 PLC ± - |
| | 1 PLC ± - |
| | 2 PLC ± - |
| | 3 PLC ± 0.127 [.005] |
| | 4 PLC ± - |
| | ANGLES ± 5° |
| MATERIAL | FINISH |
| 5 | 6 |

| | |
|------------------|-------------|
| DWN | 03APR12 |
| CHK | KIRAN HOLAL |
| APVD | 03APR12 |
| ROHDE DANIEL | |
| ROHDE DANIEL | |
| PRODUCT SPEC | |
| APPLICATION SPEC | |
| 114-2157 | |
| WEIGHT | |
| CUSTOMER DRAWING | |

STE TE Connectivity Ltd.

NAME: WIRE TERMINAL, P.I.D.G.TM 26-22 SPADE #4 STUD

| | | | |
|------|-----------|------------|---------------|
| SIZE | CAGE CODE | DRAWING NO | RESTRICTED TO |
| A3 | 00779 | C-321035 | - |

SCALE 10:1 SHEET 1 of 1 REV M3