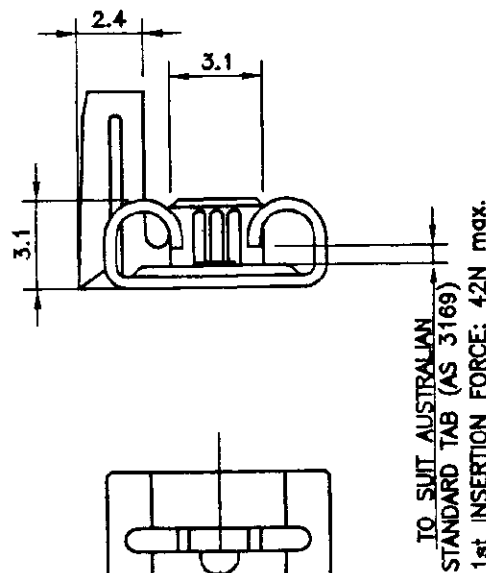
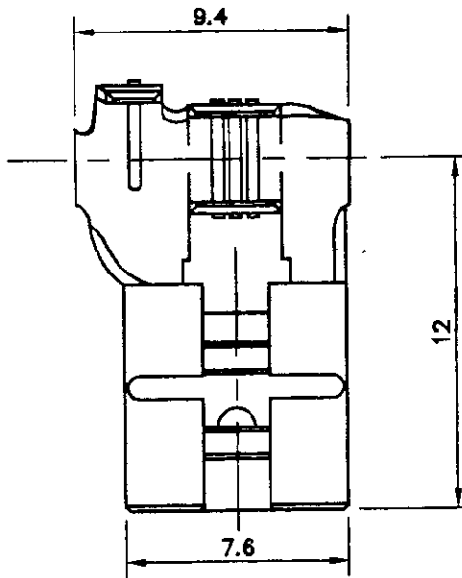
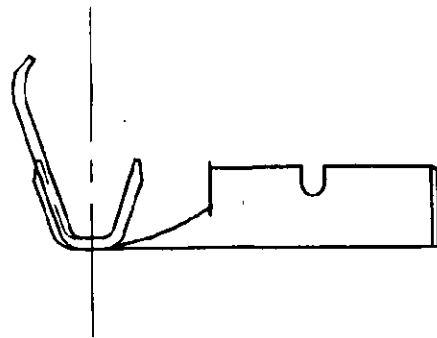
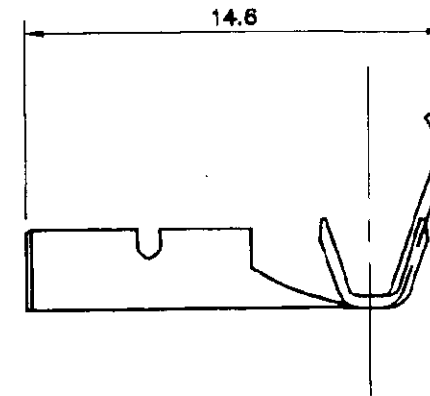


DRAWING MADE IN THIRD ANGLE PROJECTION



TO SUIT AUSTRALIAN
STANDARD TAB (AS 3169)
1st INSERTION FORCE: 42N max.



CONTROLLED

1 OBSOLETE PARTS: OBSOLETE CIS STREAMLINING PER D.RENAUD/D.SINISI

THIS INFORMATION IS CONFIDENTIAL AND DISCLOSED TO YOU ON CONDITION THAT NO FURTHER DISCLOSURE IS MADE BY YOU TO OTHER THAN AMP PERSONNEL WITHOUT WRITTEN AUTHORIZATION FROM AUSTRALIAN AMP

REMARKS	FINISH	MATERIAL	PART No
-	PRE TIN	BRASS	190735-7
-	TIN PLATED	BRASS	190735-4
-	-	NICKEL SILVER	190735-2
-	-	BRASS	190735-1

WIRE RANGE: 0,5-1.5 sq mm		INSULATION RANGE: ϕ 2.29-3.3 mm	
SIZE 0.4 \pm 0.013X19.3 \pm 0.05		DATE 24/01/95	
DR RP		CHK VK	APP BL
NAME		AMP Australian AMP Pty. Limited Hudson Avenue, CASTLE HILL NSW	
RECEPTACLE, FLAG, FASTON, LOW INSERTION FORCE 0.250		LOC CODE	U
A1	REVISED PER ECO-09-022178	AEG	22SEP09
A	ECN FA 00 0003 95	BL	17/3/95
P	F	LTR	REVISION RECORD
APP	DATE	SCALE AS SHOWN	4:1
SIZE	DWG No.	C-190735	SHEET 1 OF 1
REV	A1	CUSTOMER DRAWING	

1 OBSOLETE

8 7 6 5 4 3 2 1

ORIGINAL