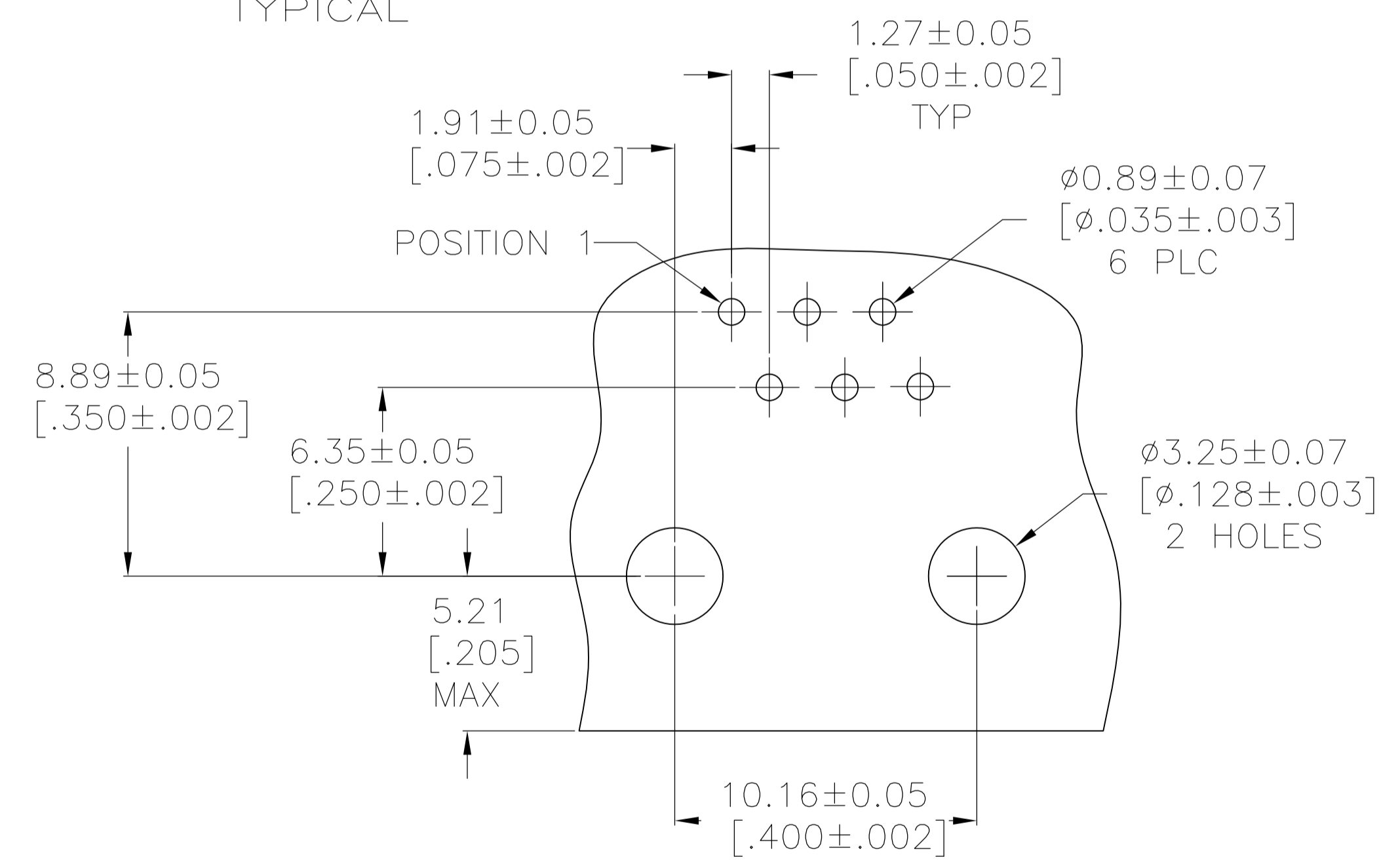
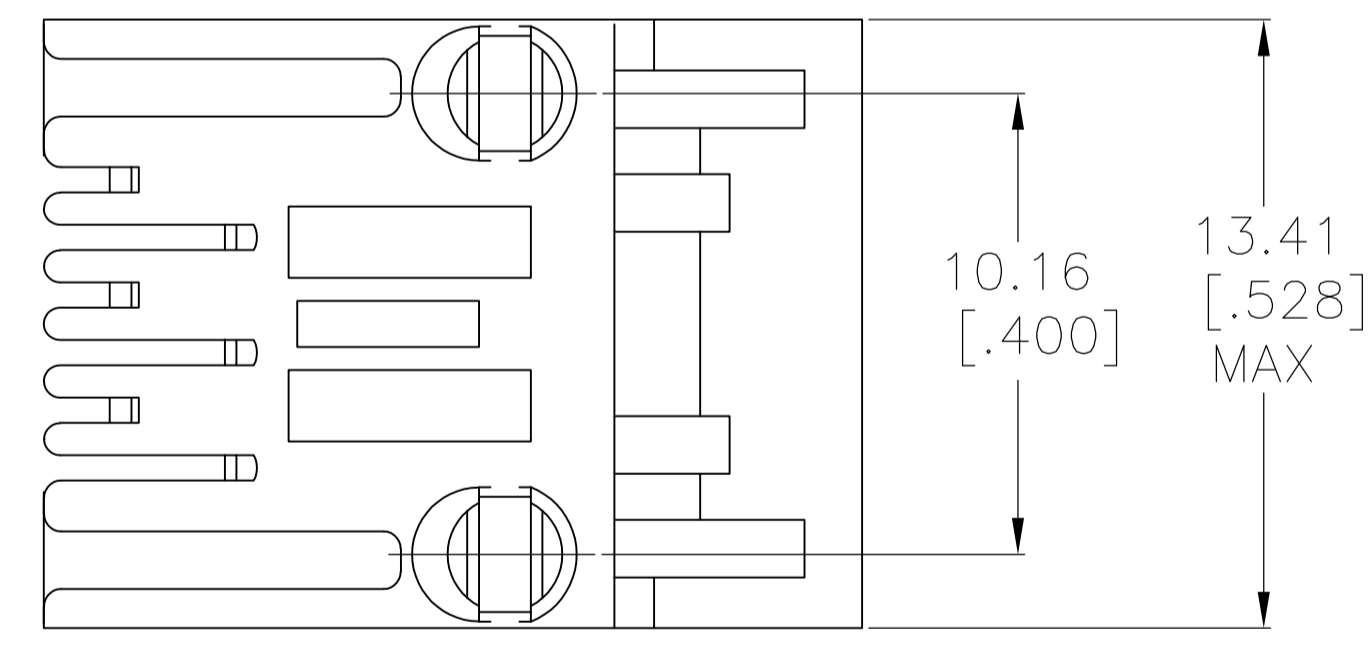
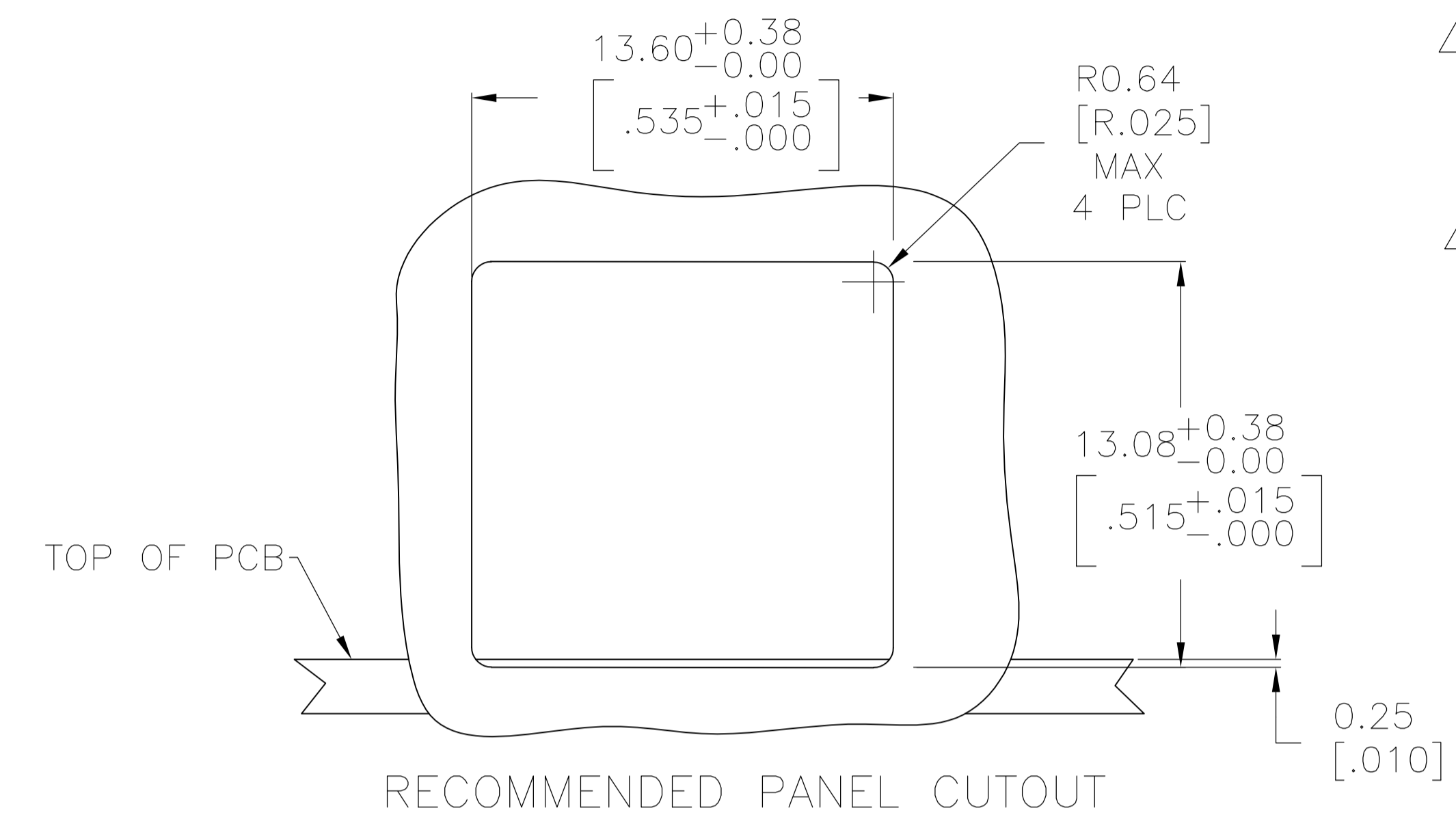
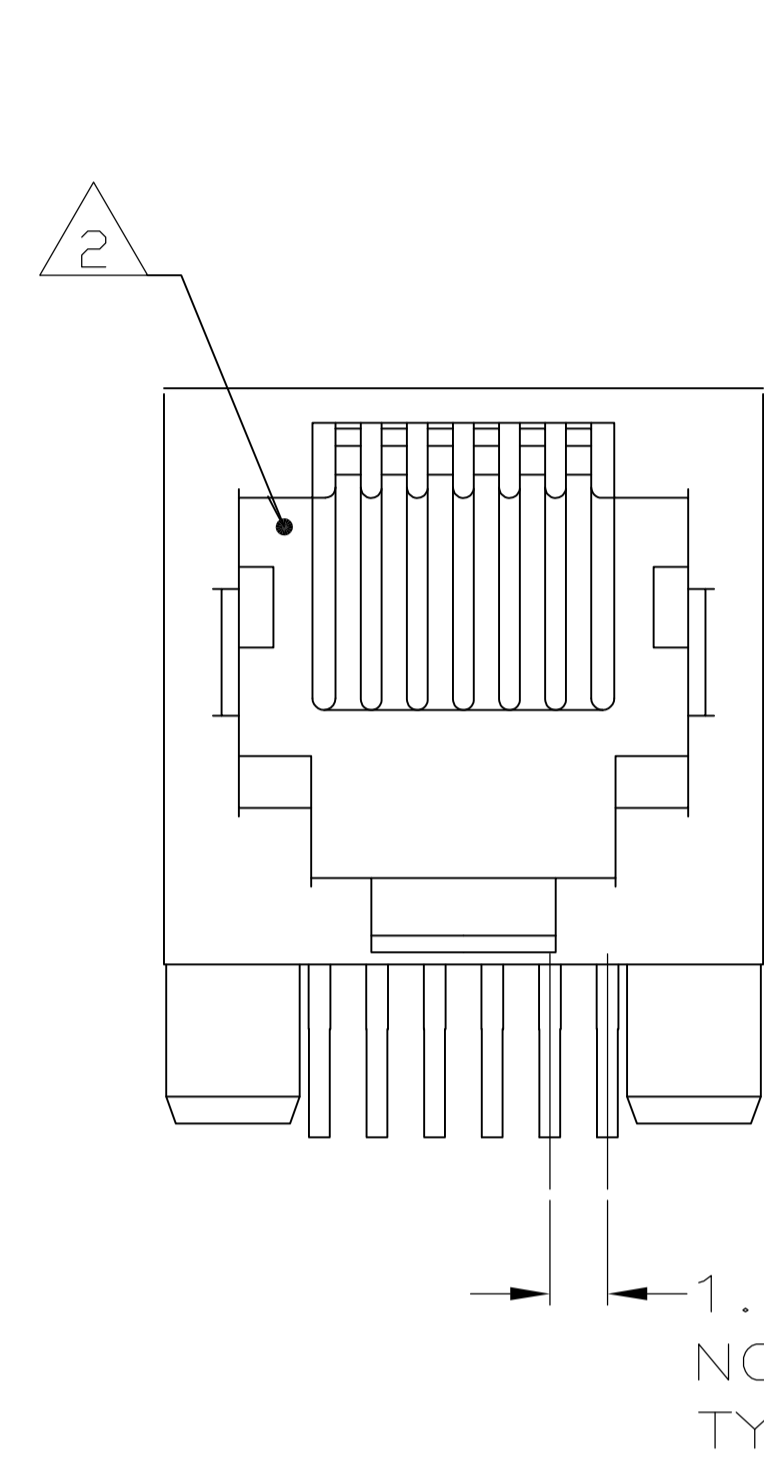
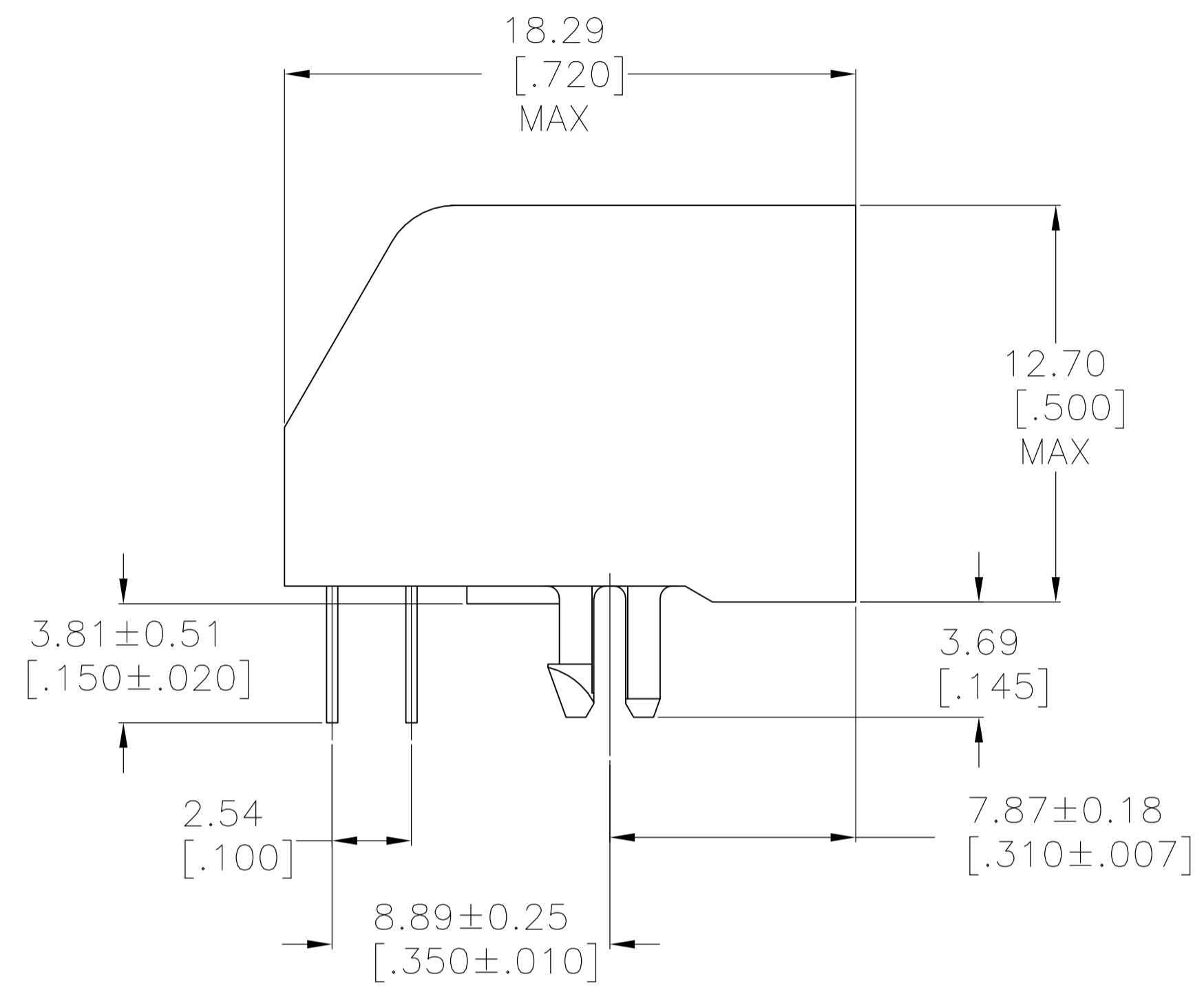


LOC		DIST		REVISIONS			
GP	00	REV	DATE	BY	CHK	APPV	
E2	REVISED PER ECO-12-014371	15NOV2012	CJV	PAR			

- MATERIAL: HOUSING - PBT POLYESTER, COLOR: BLACK
TERMINAL - 0.35[.0138] THICK PHOS BRONZE
PLATED WITH 1.27 μ m[.000050] THICK
HARD GOLD IN LOCALIZED GOLD PLATE AREA AND
2.03 μ m[.000080] THICK MATTE TIN IN SOLDER
AREA OVER 1.27 μ m[.000050] THICK NICKEL
UNDERPLATE.
- CAVITY CONFORMS TO FCC RULES AND REGULATIONS
PART 68, SUBPART F.
- BULK PACKAGED IN A TRAY.
- TERMINALS FOR 5555165-2 AND -5 LOCATED IN
CENTER POSITIONS.



RECOMMENDED PRINTED CIRCUIT BOARD LAYOUT COMPONENT SIDE SHOWN

OBsolete	DEC GREY	4	4	5555165-8
	BLACK	2	6	5555165-5
	BLACK	4	4	5555165-2
	BLACK	6	4	5555165-1
	COLOR	TERMINALS REQUIRED		PART NUMBER

THIS DRAWING IS A CONTROLLED DOCUMENT. DIMENSIONING AND TOLERANCING PER ASME Y14.5M-2009.

DIMENSIONS: mm [INCHES]	TOLERANCES UNLESS OTHERWISE SPECIFIED:	DIN D. STRAUSSER / L.A. MAYER	08JUNE2005	TE Connectivity
0 PLC ± -	1 PLC ± -	CHK J. WESTMAN	08JUNE2005	
2 PLC ± ± 0.13[.005]	3 PLC ± ± -	APPV S. FLICKINGER	08JUNE2005	
4 PLC ± ± -	ANGLES ± ± -	NAME		
MATERIAL SEE NOTE 1	FINISH SEE NOTE 1	PRODUCT SPEC	108-1163	MODULAR JACK ASSEMBLY, 6 POSITION, LOW PROFILE, RIGHT ANGLE, WITHOUT PANEL STOPS
		APPLICATION SPEC	114-2048	
		SIZE	A1	
		WEIGHT	00779	
		CUSTOMER DRAWING	SCALE 6:1	SHEET 1 OF 1 REV E2