

DWG. NO.  
SD-35179-003

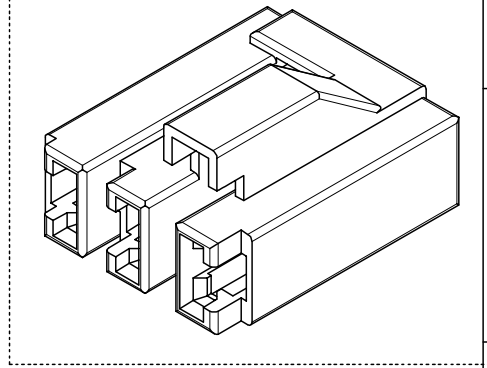
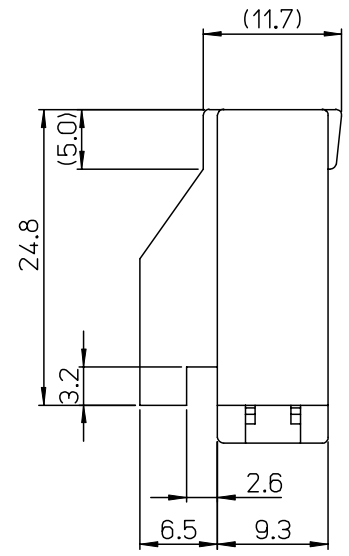
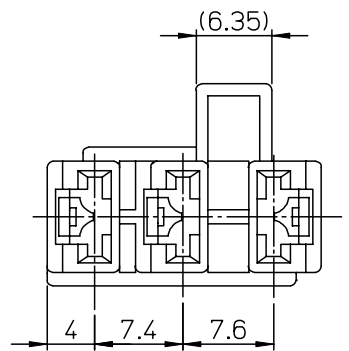
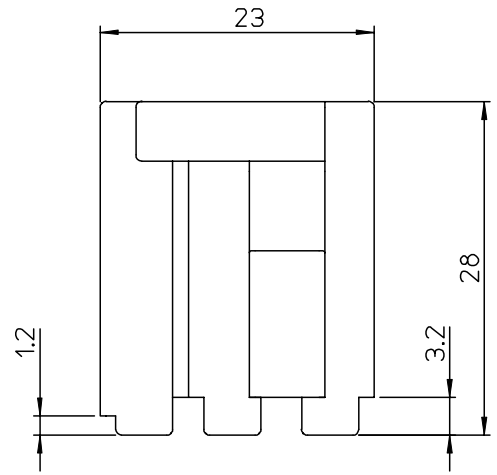
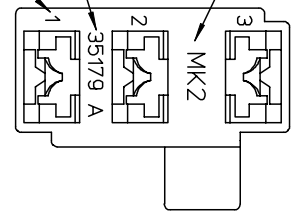
SIMILAR ITEM

PROJECT NO.

B

DO NOT SCALE DRAWING  
DIMENSION IN METRIC

ENG.NO.(35179)  
CAV.NO.(A,B,..)  
CKT NO.  
TRADE MARK  
(MK2)



NOTES

1. MATERIAL : POLYESTER,UL94V-0
2. FINISH : NATURAL COLOR
3. APPLICABLE TERMINALS : 35725-40\*0/41\*0/42\*0

REVISED ECN NO. KOR2006-0073 DRWN: J.B.JIN 05/12/19 CHK: W.Y.YANG APPR: SH.CHOI	DESCRIPTION	QUALITY SYMBOLS MAJOR CRITICAL	GENERAL TOLERANCES: (UNLESS SPECIFIED)		SCALE 2:1	DESIGN UNITS <input checked="" type="checkbox"/> mm <input type="checkbox"/> INCH	THIRD ANGLE PROJECTION	DIMENSIONS: <input type="checkbox"/> mm <input type="checkbox"/> INCH <input checked="" type="checkbox"/> mm ONLY	SHT	REV
			4 PLACES ±0.	±-	INCH	±-	mm	±-	mm	±-
C	REV	C	3 PLACES ±0.	±-	DRAWN BY & DATE W.Y.YANG 00/01/13		TITLE: .250 W-t-B CONN.HOUSING-3P (FOR TIMER)			
			2 PLACES ±0.30	±-	CHECKED BY & DATE B.K.CHOI 00/01/13		MOLEX INCORPORATED			
			1 PLACE ±0.30	±-	APPROVED BY & DATE C.W.LEE 00/01/13		MATERIAL NO. 351790300		DRAWING NO. SD-35179-003	SHEET NO. 1 OF 1
DRAFT WHERE APPLICABLE MUST REMAIN WITHIN DIMENSIONS			ANGULAR: ± °		CAD FILENAME S35179AC.MI		THIS DRAWING CONTAINS INFORMATION THAT IS PROPRIETARY TO MOLEX INCORPORATED AND SHOULD NOT BE USED WITHOUT WRITTEN PERMISSION.			